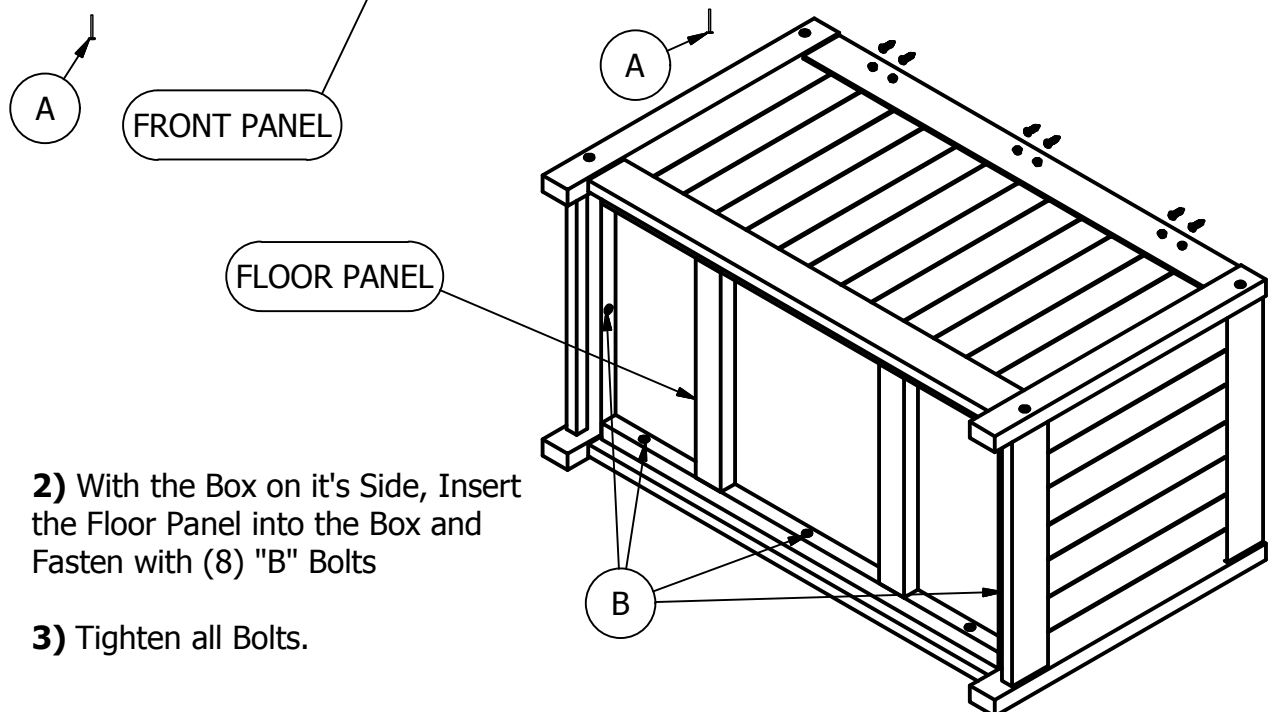
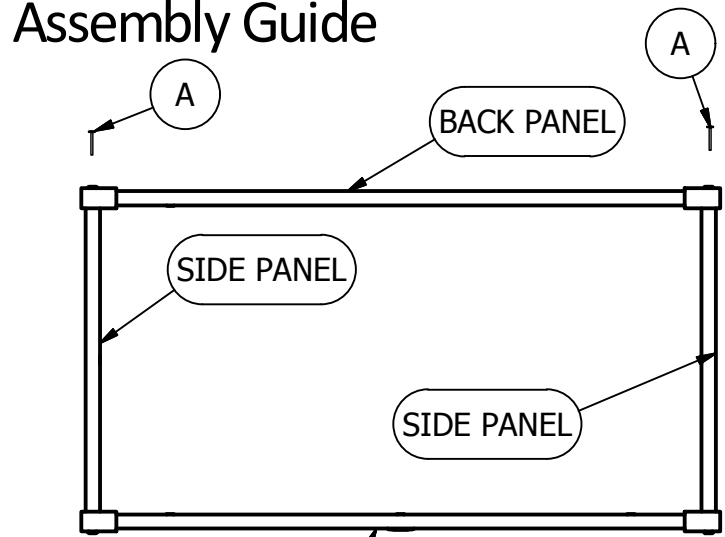


Deck Storage Box

Assembly Guide

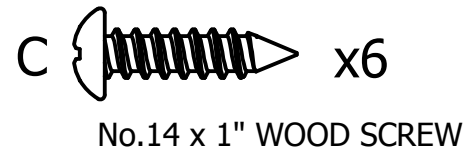
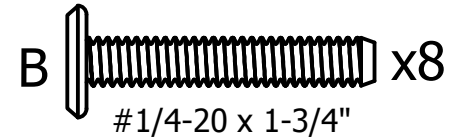
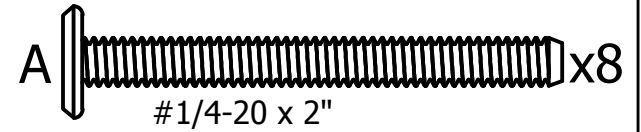
1) Place Front Panel on Flat Surface With Inside of Panel Facing Up. Insert the Dowels in the Side Panels into the Holes on the Front Panel and Fasten with (4) "A" Bolts Thru Holes in Legs. Repeat for the Back Panel.



2) With the Box on it's Side, Insert the Floor Panel into the Box and Fasten with (8) "B" Bolts

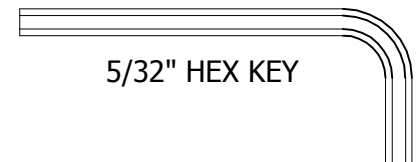
3) Tighten all Bolts.

HARDWARE



IMPORTANT!
DO NOT fully tighten the bolts until all bolts are started. Once all bolts are inserted, go back & tighten all the bolts.
Retain these instructions for future reference

INCLUDED TOOLS

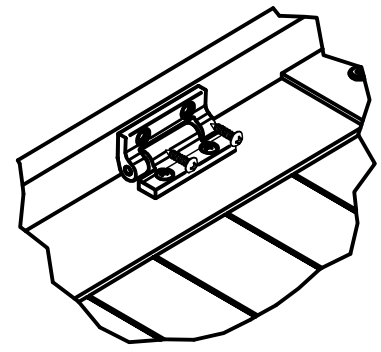
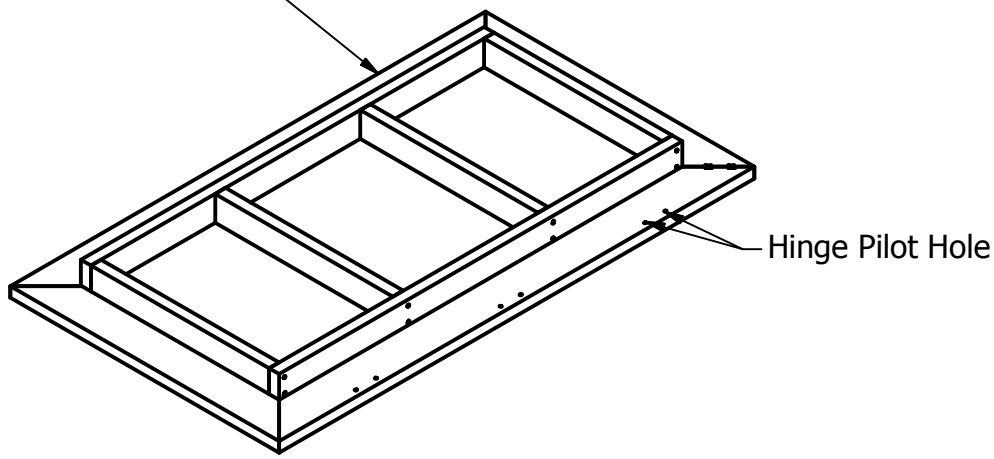


5/32" HEX KEY



#3 PHILLIPS BIT

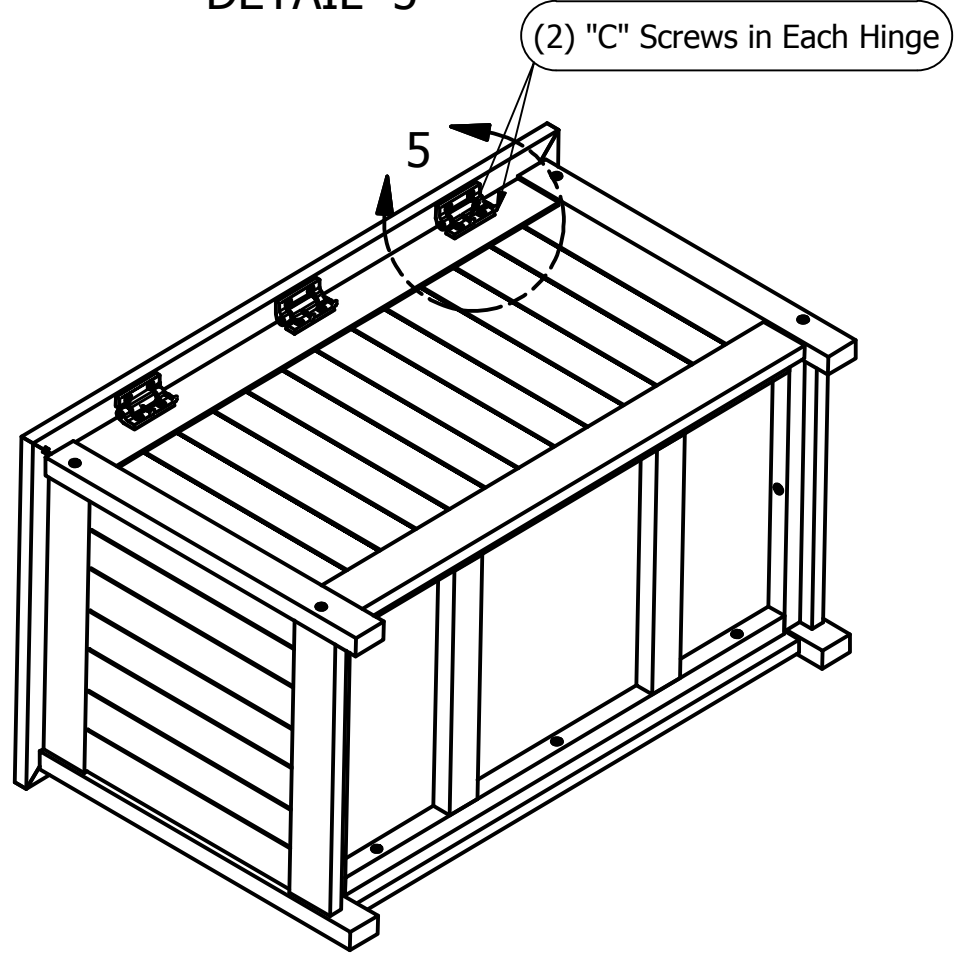
LID ASSEMBLY



DETAIL 5

(2) "C" Screws in Each Hinge

4) Align hinge pilot holes on Lid Assembly to Holes in Hinges.



5) Attach Lid to Hinges Using (6) "C" Screws with the Included #3 Phillips Head Driver Bit.