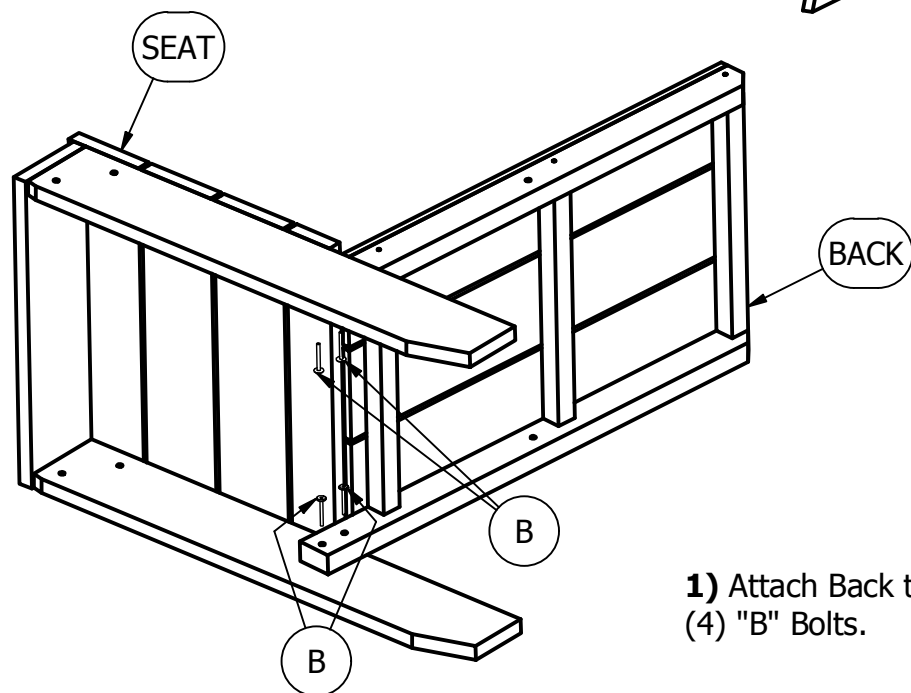
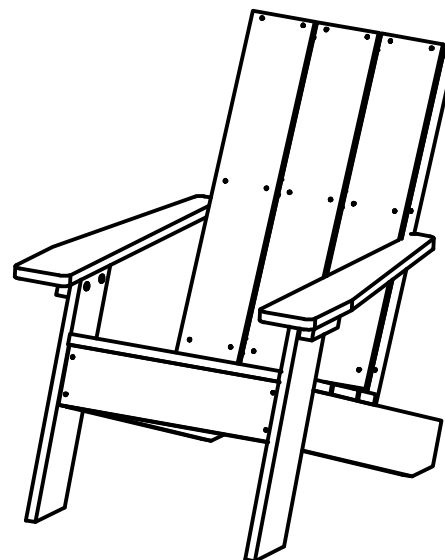


# Adirondack Collection

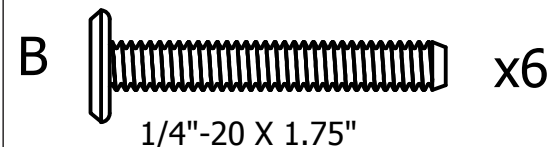
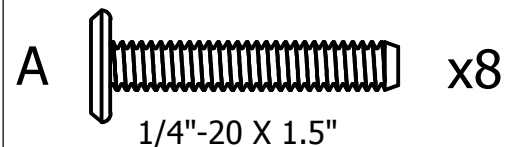
## Barcelona Modern Adirondack Chair

### Assembly Guide



**1)** Attach Back to Seat Using  
(4) "B" Bolts.

#### HARDWARE

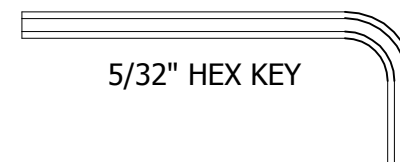


#### IMPORTANT!

DO NOT fully tighten the bolts until all bolts are started. Once all bolts are inserted, go back & tighten all the bolts.

Retain these instructions for future reference

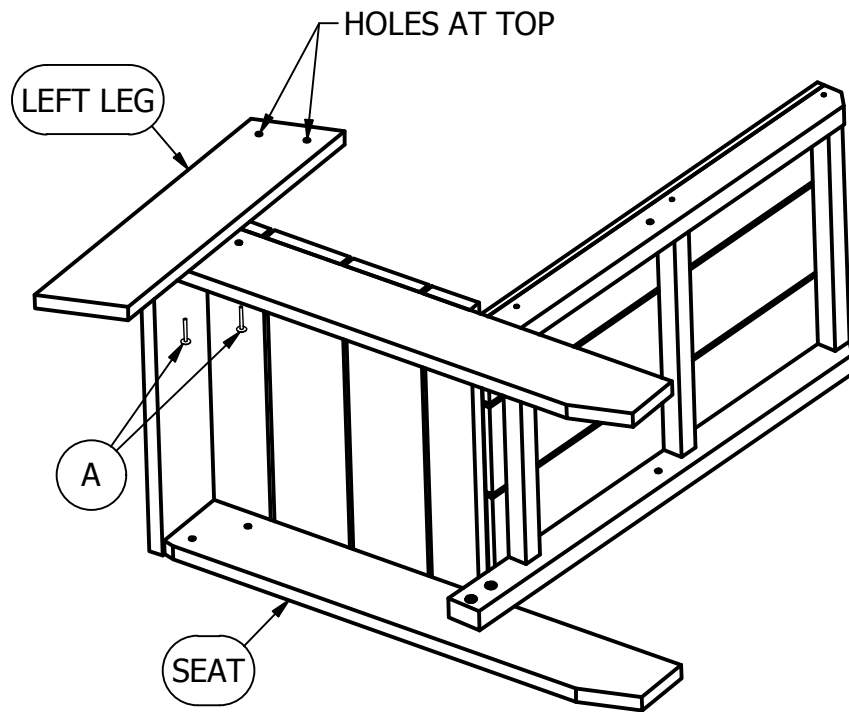
#### INCLUDED TOOLS



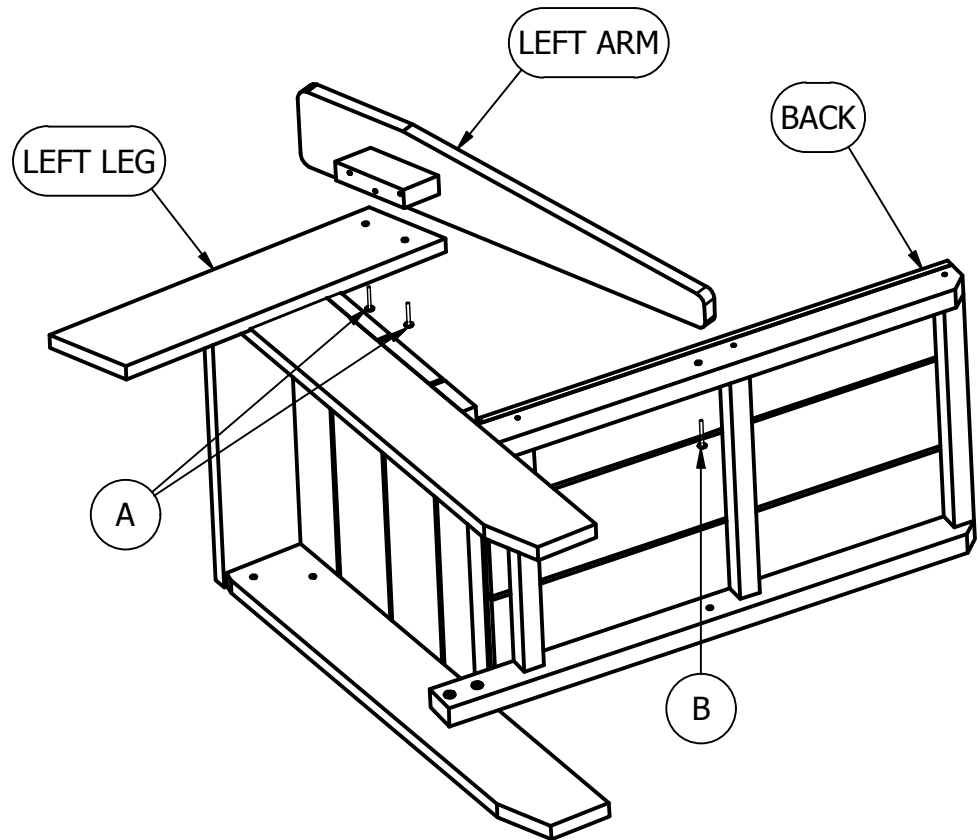
## Adirondack Collection

# Barcelona Modern Adirondack Chair

## Assembly Guide



**2)** With Holes Positioned at the Top as Shown, Attach Left Leg to Seat Using (2) "A" Bolts.



**3)** Attach Left Arm to Left Leg Using (2) "A" Bolts. Attach Left Arm to Back Using (1) "B" Bolt.

**4)** Repeat Steps "2" & "3" for Attaching Right Leg and Arm.

**5)** Tighten All Bolts.