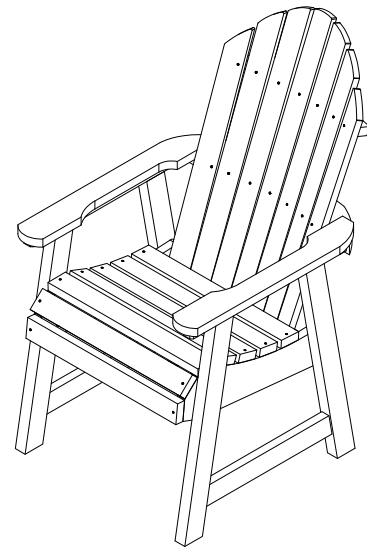


Adirondack Collection Hamilton Deck Chair

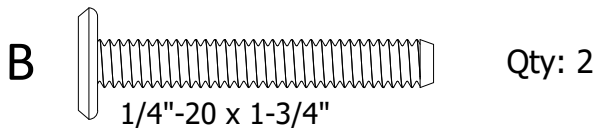
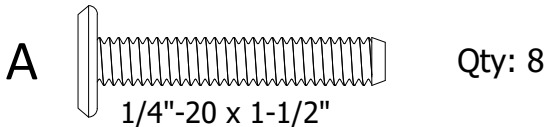
Assembly Guide



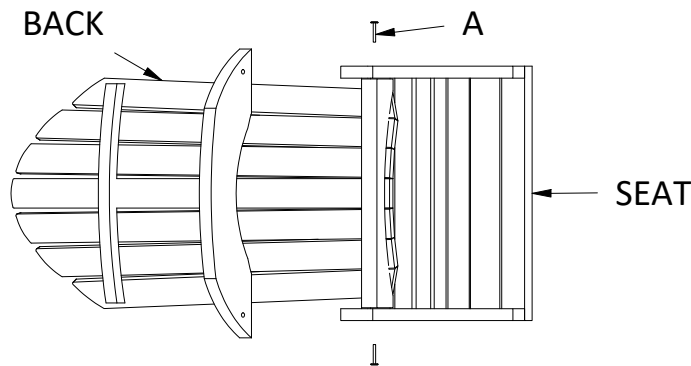
IMPORTANT!

DO NOT fully tighten the bolts until all bolts are started. Once all bolts are inserted, go back & tighten all the bolts.

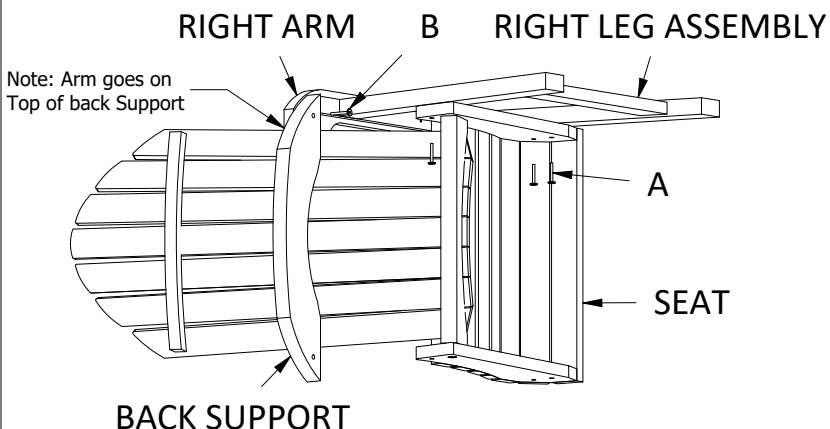
HARDWARE INCLUDED



TOOLS INCLUDED



1) Insert (1) "A" Bolt into Lower Hole on Each Side to Attach Seat to Back. Make Sure the Back is Fully Upright. Make Bolts Snug, but Do Not Overtighten.



2) With the Chair Laying on its Left Side, Attach the Right Leg Assembly to the Seat using (3) "A" bolts.

3) Attach Right Arm to the Back Support Using (1) "B" Bolt.

4) Flip Chair and Lay on Right Side. Repeat for Left Leg Assembly.