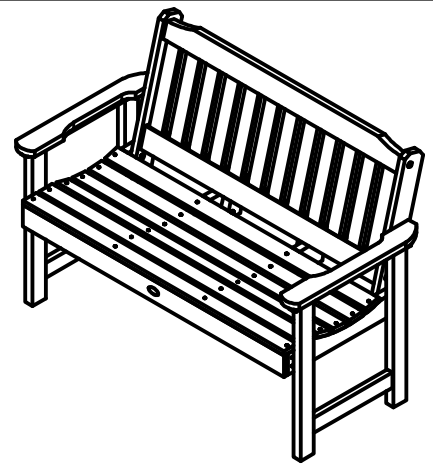


# Lehigh Collection Lehigh Garden Bench

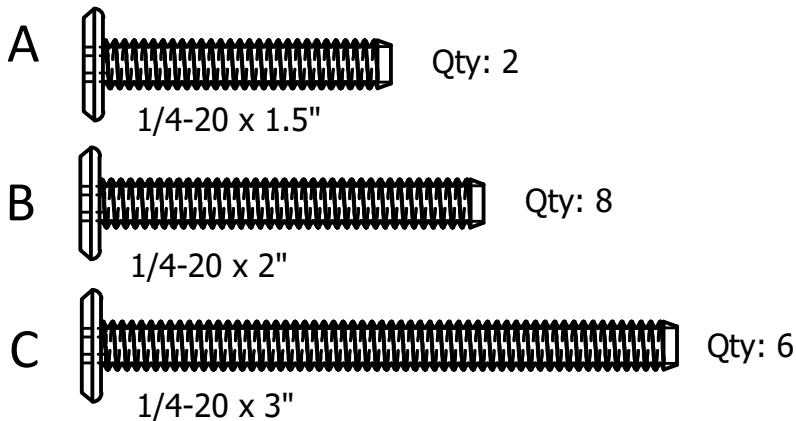
## Assembly Guide



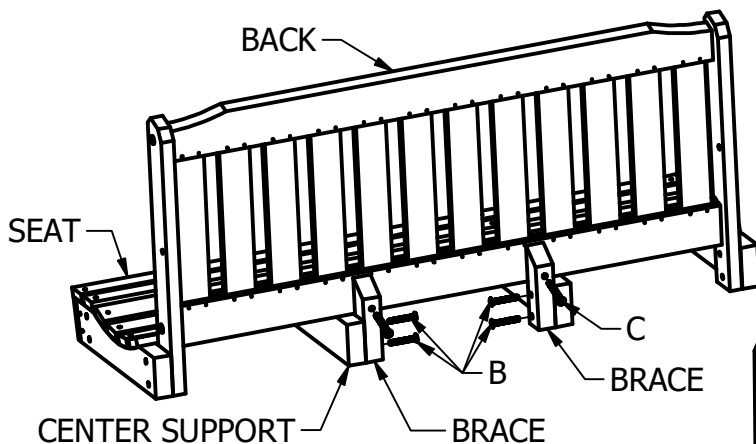
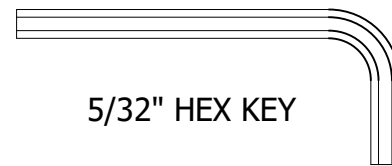
### IMPORTANT!

DO NOT fully tighten the bolts until all bolts are started. Once all bolts are inserted, go back & tighten all the bolts.

### HARDWARE INCLUDED



### TOOLS INCLUDED



1) Attach Braces to Center Seat Supports using four "B" bolts.

2) Attach Back to Braces using two "C" bolts.

3) Attach Leg Assembly to Seat using two "B" bolts in Front Leg, one "A" bolt in Arm, and two "C" bolts in Rear Leg.

4) Repeat Step 3 on other side.

