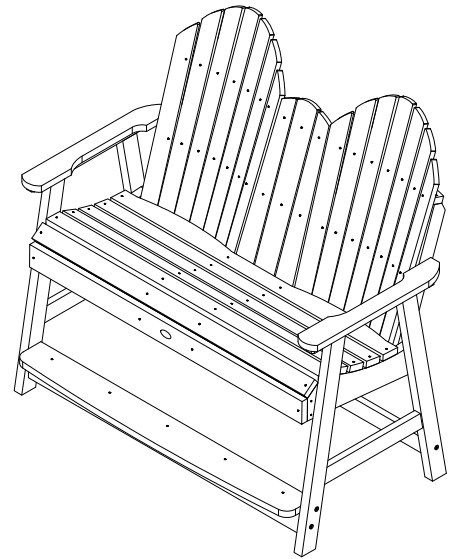


Adirondack Collection Hamilton Bench Counter Height 4ft

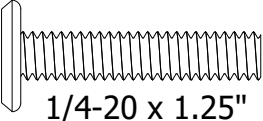
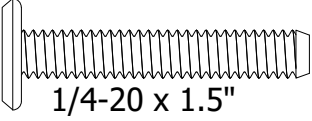
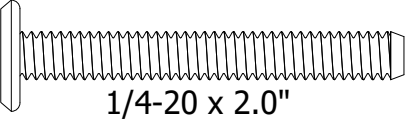

Assembly Guide



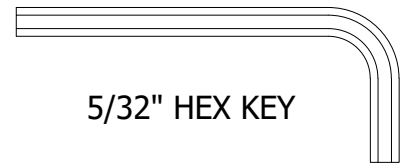
IMPORTANT!

DO NOT fully tighten the bolts until all bolts are started.
Once all bolts are inserted, go back & tighten all the bolts.

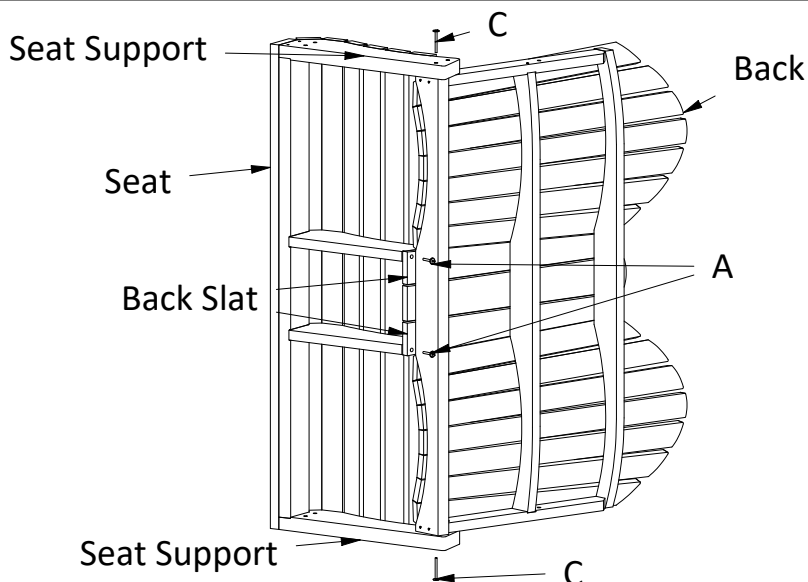
HARDWARE INCLUDED

- A**  Qty: 2
1/4-20 x 1.25"
- B**  Qty: 2
1/4-20 x 1.5"
- C**  Qty: 12
1/4-20 x 2.0"
- D**  Qty: 2
1/4-20 x 3.0"

TOOLS INCLUDED

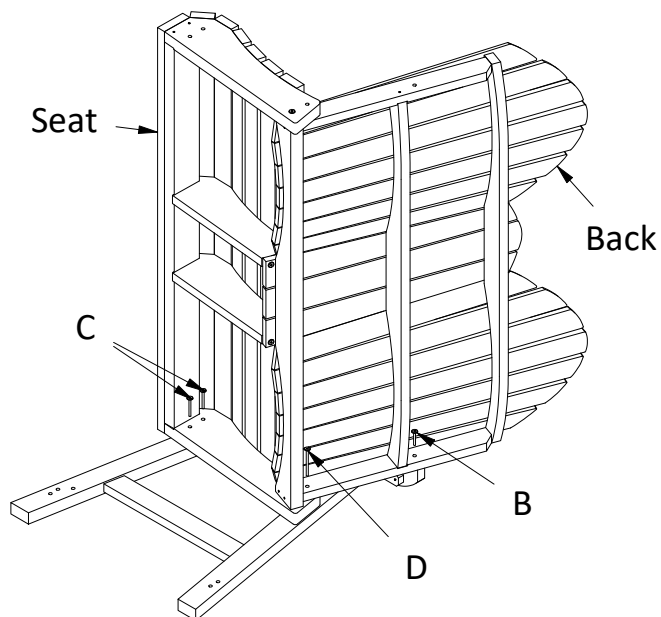


5/32" HEX KEY



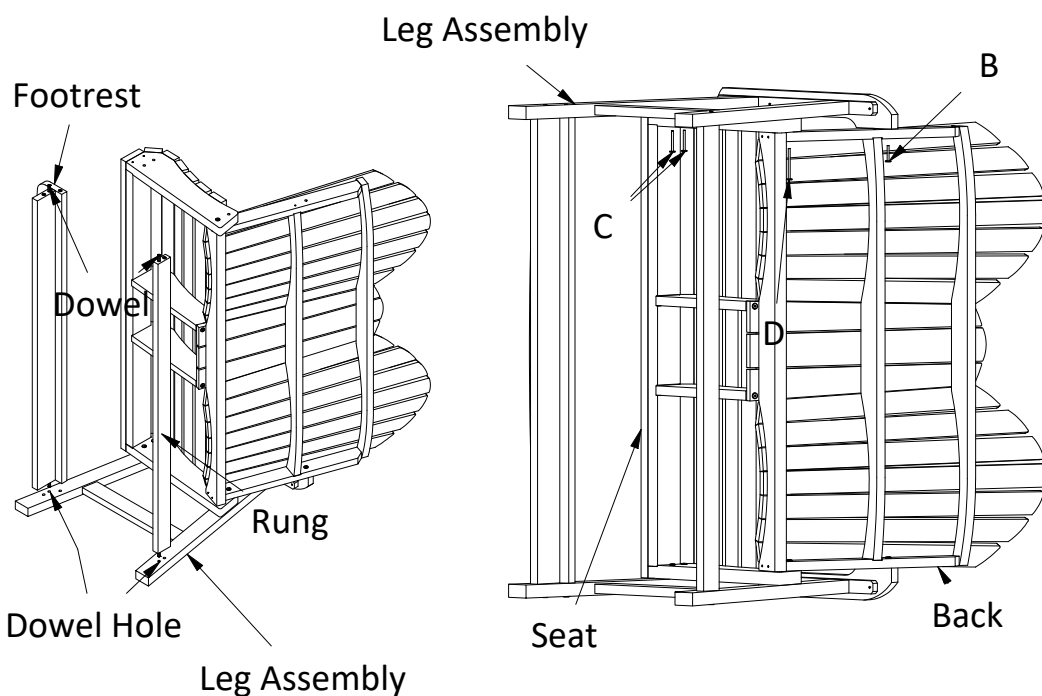
1) Attach Back to Seat using
(2) C Bolts going through Seat Supports into the Back.

2) Attach Back to Seat using
(2) A Bolts going through Back Slat into the Seat.



4) Attach the Arm Assembly to the Seat using (2) C bolts.

5) Attach the Arm to the Back using (1) B bolt and (1) D bolt.

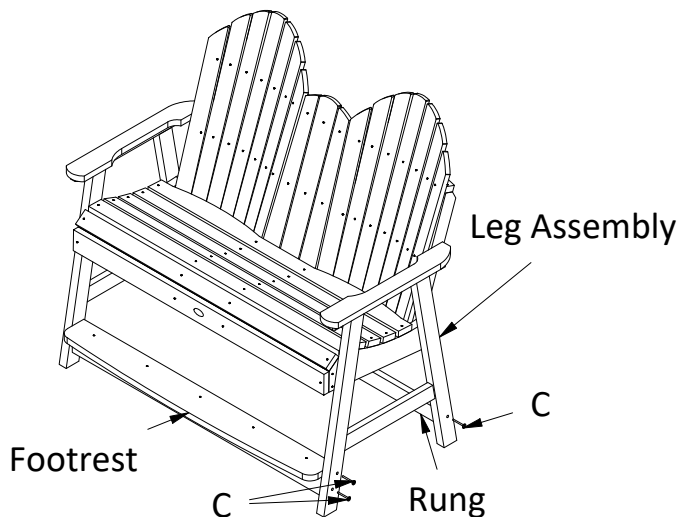


6) Place the Dowel that is in the Footrest and Rung in the Dowel hole in the Leg Assembly.

7) Place the other Leg Assembly on top of the Footrest and Rung, lining up the Dowel with the Dowel holes.

8) Attach the Arm Assembly to the Seat using (2) C bolts.

9) Attach the Arm to the Back using (1) B bolt and (1) D bolt.



10) With the help of someone, flip the bench in the upright position.

11) Attach the Footrest and Rung to the Leg Assembly with (3) C bolts.

12) Repeat **11** on the other side of the bench.