

Adirondack Collection

Hamilton Bench 4ft

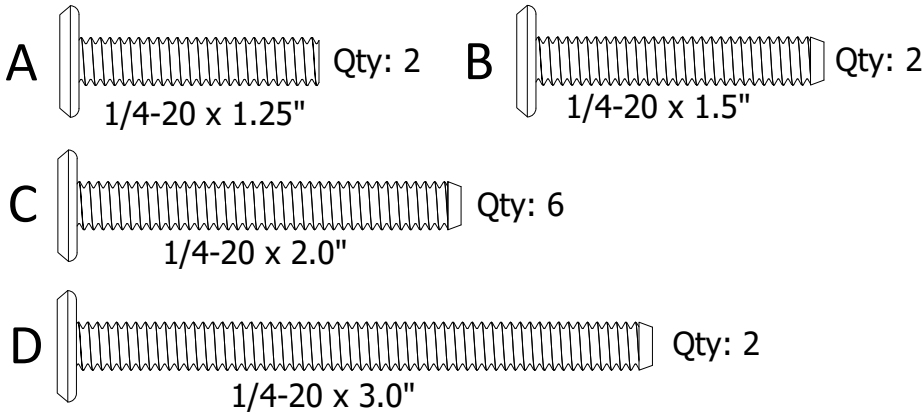
Assembly Guide



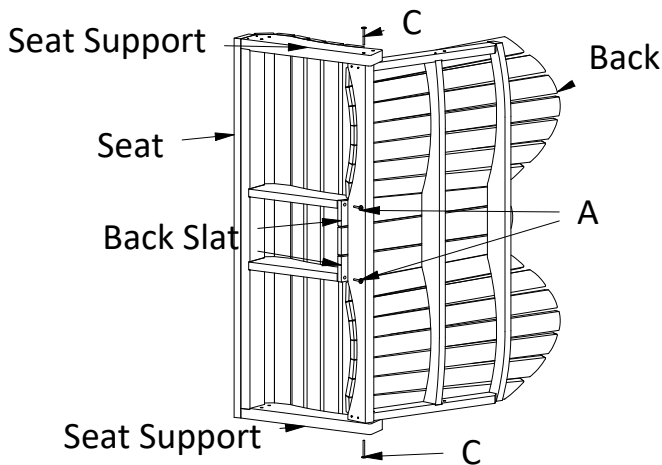
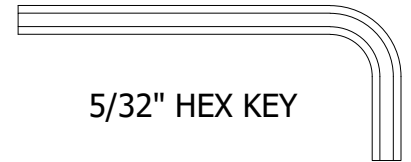
IMPORTANT!

DO NOT fully tighten the bolts until all bolts are started. Once all bolts are inserted, go back & tighten all the bolts.

HARDWARE INCLUDED

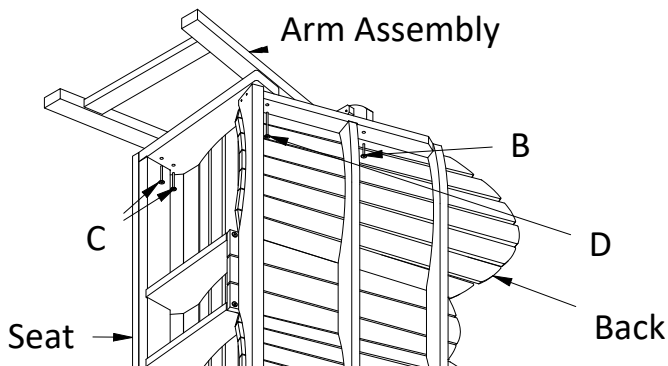


TOOLS INCLUDED



1) Attach Back to Seat using
(2) C Bolts going through Seat Supports into the Back.

2) Attach Back to Seat using
(2) A Bolts going through Back Slat into the Seat.



3) Attach the Arm Assembly to the Seat using **(2)** C bolts.

4) Attach the Arm to the Back using **(1)** B bolt and **(1)** D bolt.

5) Repeat **3** and **4** to attach the other Arm Assembly on the other side.