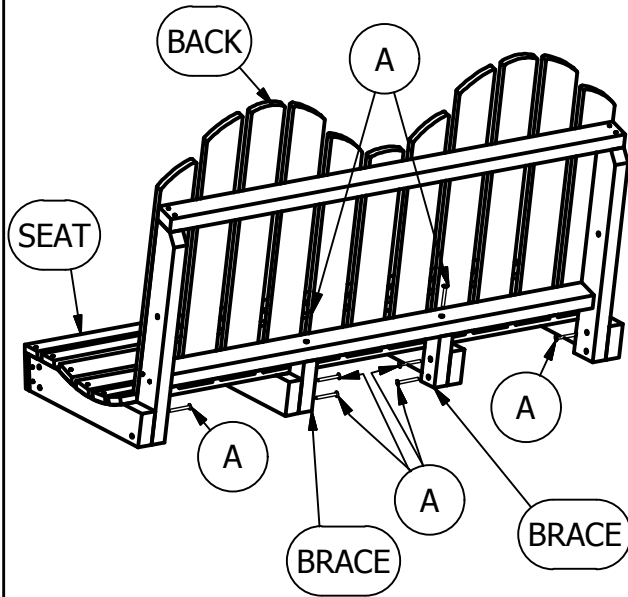
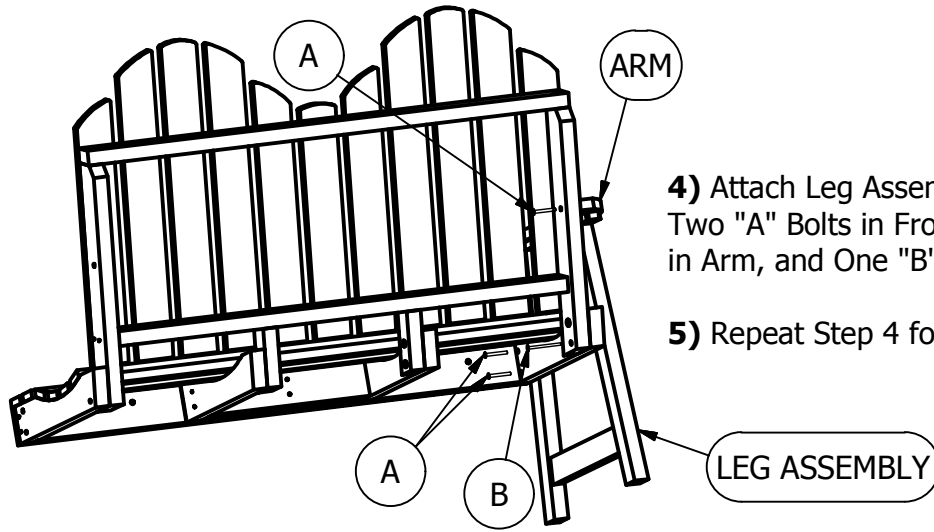


Adirondack Collection Classic Westport Bench

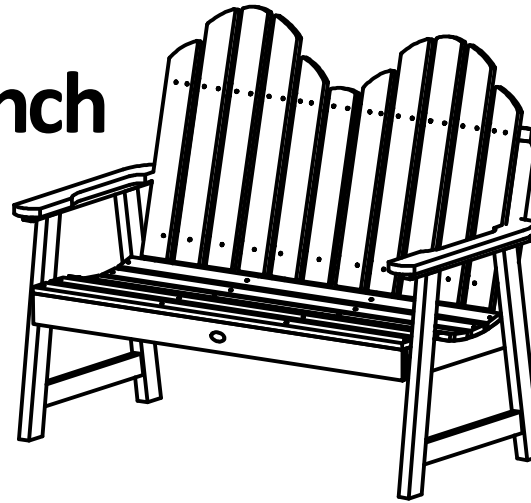
Assembly Guide



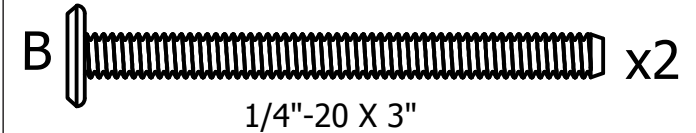
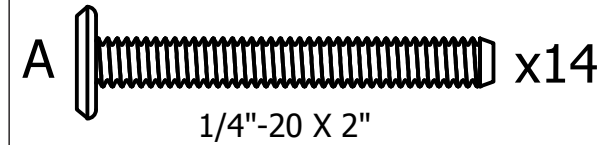
- 1) Attach Back to Seat Using One "A" Bolt in the Upper Hole on Each Side.
- 2) Attach Braces to Seat Using Four "A" Bolts.
- 3) Attach Braces to Back Using Two "A" Bolts.



- 4) Attach Leg Assembly to Seat Using Two "A" Bolts in Front Leg, One "A" Bolt in Arm, and One "B" Bolt on Rear Leg.
- 5) Repeat Step 4 for Other Side.



HARDWARE

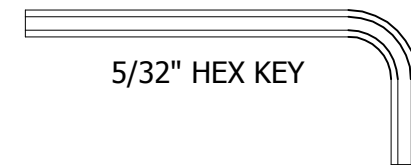


IMPORTANT!

DO NOT fully tighten the bolts until all bolts are started. Once all bolts are inserted, go back & tighten all the bolts.

Retain these instructions for future reference

INCLUDED TOOLS



5/32" HEX KEY