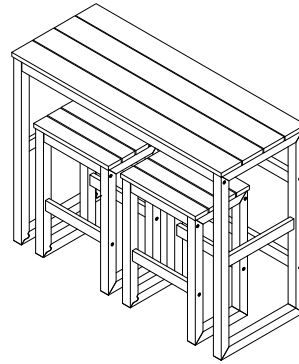
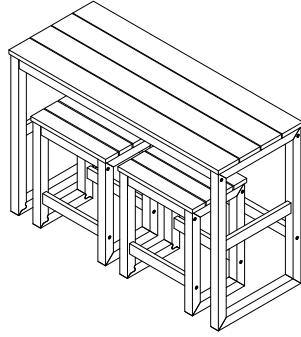


Modern Balcony Set

Assembly Guide

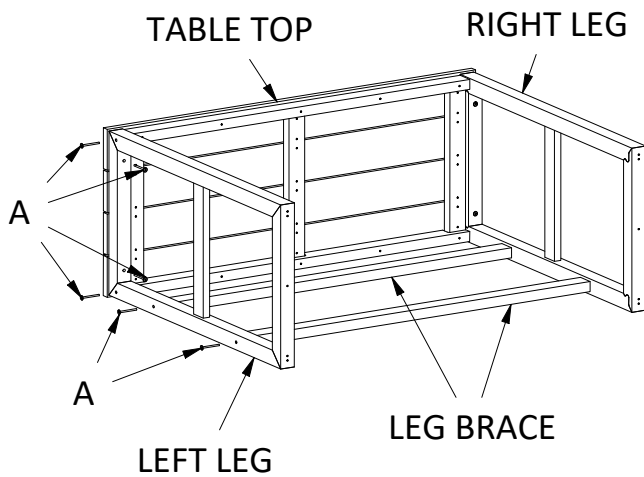


AD-BALC01-MD2

AD-BALC01-MD3

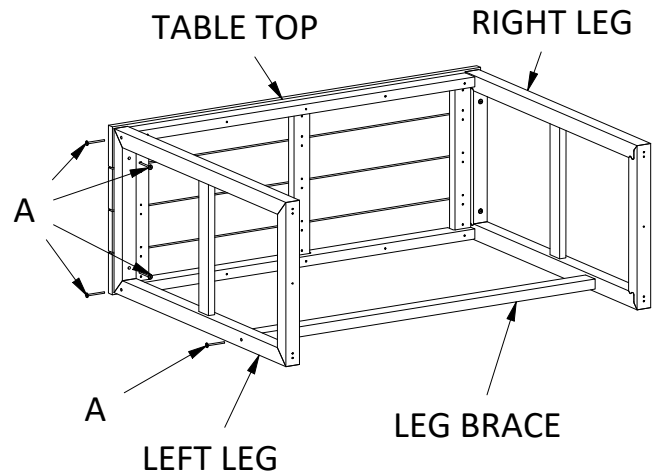
***See Other Side For Stool Assembly**

*Actual Style May Vary from the One Pictured in this Guide



1.) Place the Table Top onto its side and attach Either the Left or Right Leg and both Leg Braces using (6) A bolts As shown. **REPEAT THIS STEP ON THE OTHER SIDE**

(BAR HEIGHT)

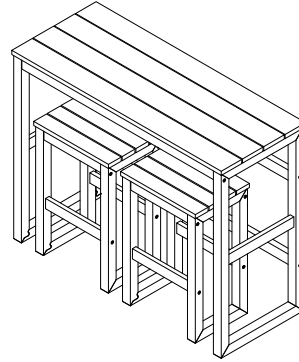
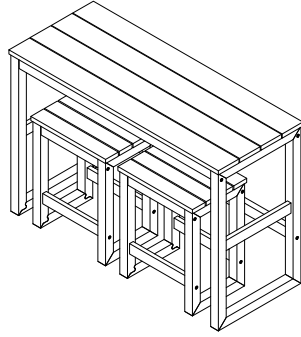


1.) Place the Table Top onto its side and attach Either the Left or Right Leg and Leg Brace using (5) A bolts As shown. **REPEAT THIS STEP ON THE OTHER SIDE**

(COUNTER HEIGHT)

Modern Baclony Set

Assembly Guide



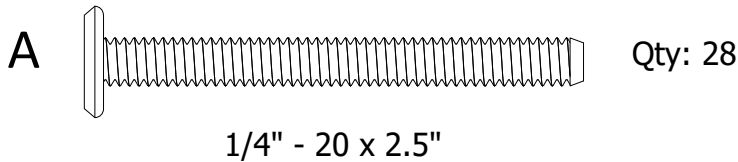
AD-BACL01-MD2

AD-BACL02-MD3

***See Other Side For Table Assembly**

*Actual Style May Vary from the One Pictured in this Guide

HARDWARE INCLUDED



***FOR COUNTER HEIGHT YOU WILL HAVE 2 EXTRA BOLTS**

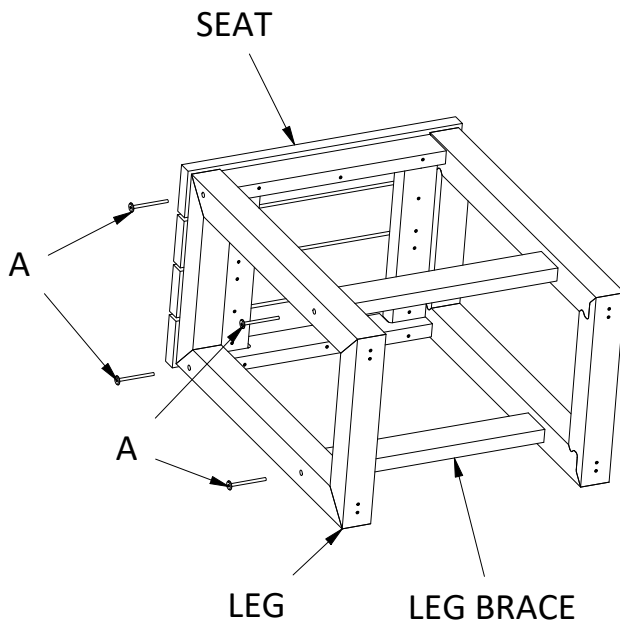
TOOLS INCLUDED



5/32" HEX KEY

IMPORTANT!

DO NOT fully tighten bolts until all bolts are started.



1.) Place the Seat onto its side and attach the Leg & Leg Braces with (4) A Bolts as shown. **Repeat this step on the other side.**