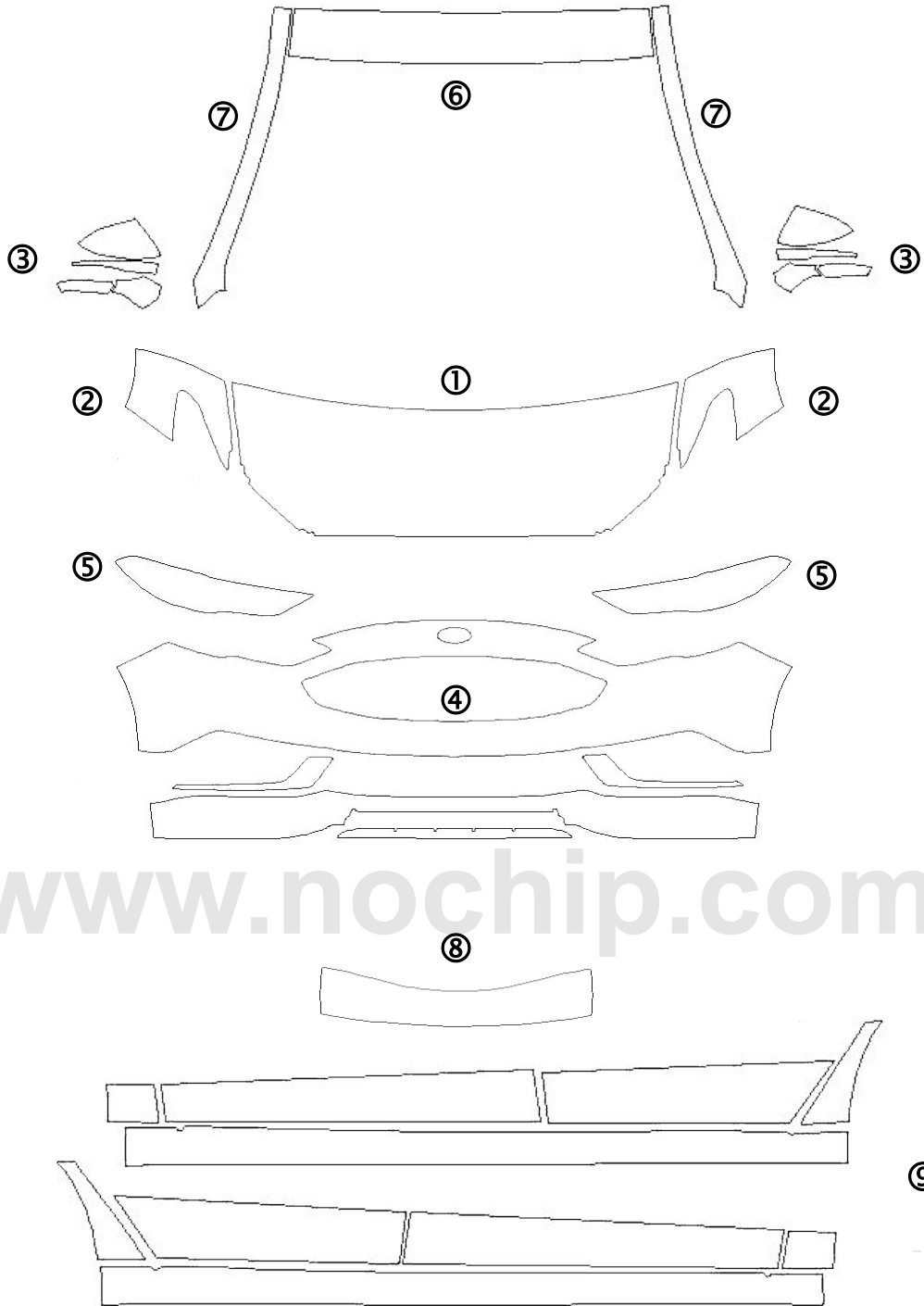


- ① HOOD
- ② FENDER
- ③ MIRROR
- ④ BUMPER

- ⑤ LIGHTS
- ⑥ CAB TOP
- ⑦ A-PILLARS
- ⑧ TRUNK LEDGE

- ⑨ ROCKERS
- ⑩



2017 FORD FUSION SE Titanium Platinum Hybrid Energi		DATE:	
		DESIGNER:	
Installed by:	Notes on back: <input type="checkbox"/>	REVISION:	00