

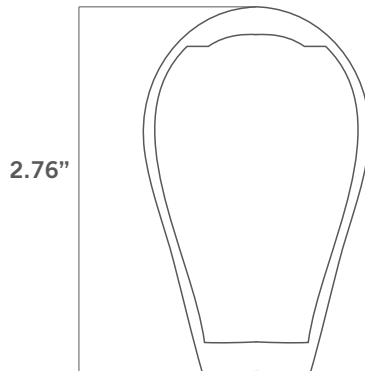
# Easy Cover<sup>®</sup> Swing Arms

STRONG ENOUGH TO COVER ANY LOAD



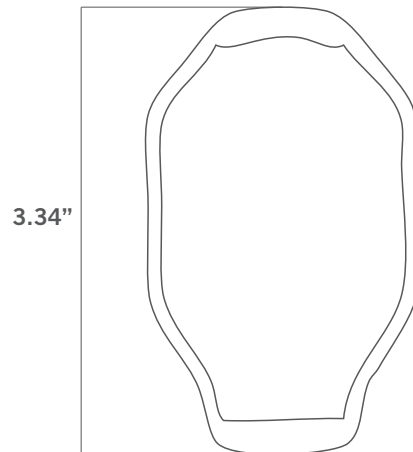
## SOLID SINGLE

- Upper swing arm models 400-575



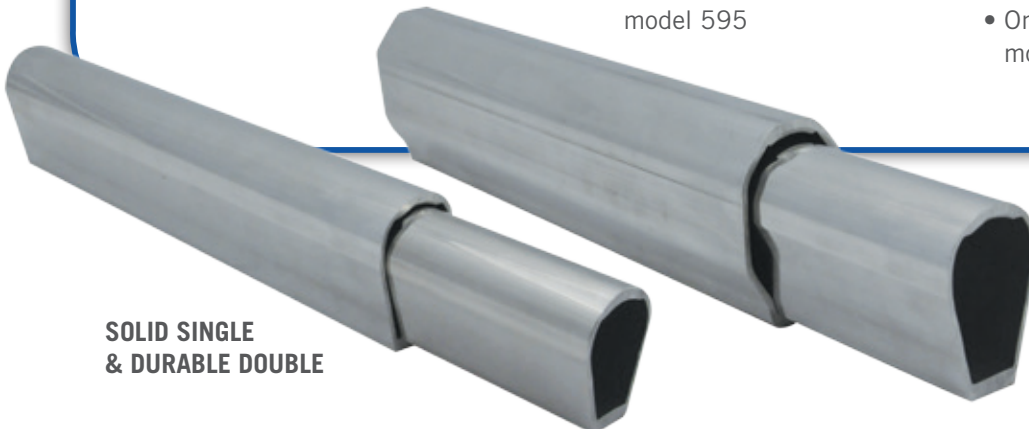
## DURABLE DOUBLE

- Lower swing arm models 400-575
- Upper swing arm model 595



## TOUGHEST TRIPLE

- Lower swing arm model 595 (scrap and demolition)
- One-piece swing arm models 455-555 (coal buckets)



SOLID SINGLE  
& DURABLE DOUBLE

DURABLE DOUBLE  
& TOUGHEST TRIPLE