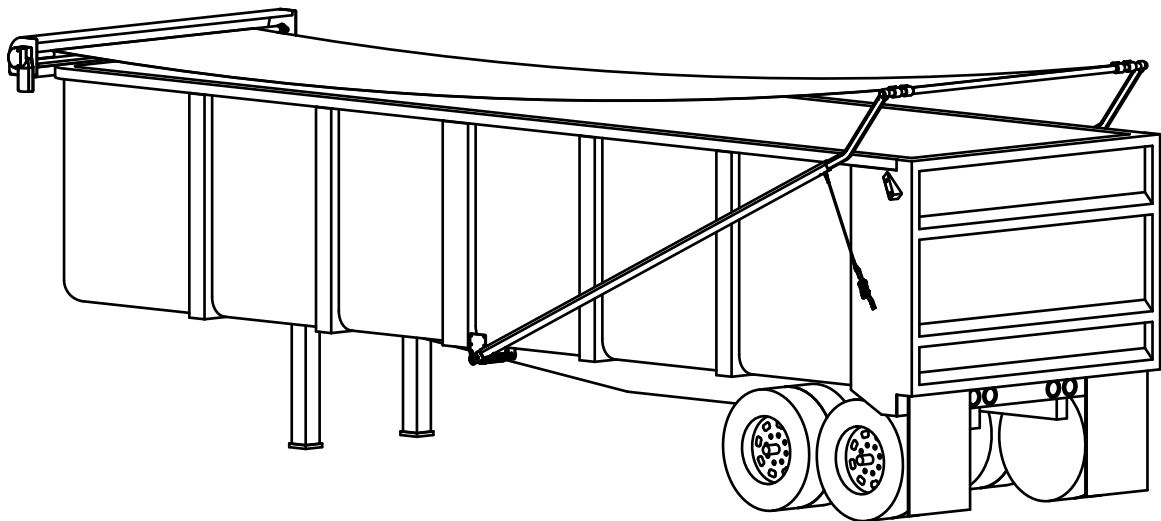
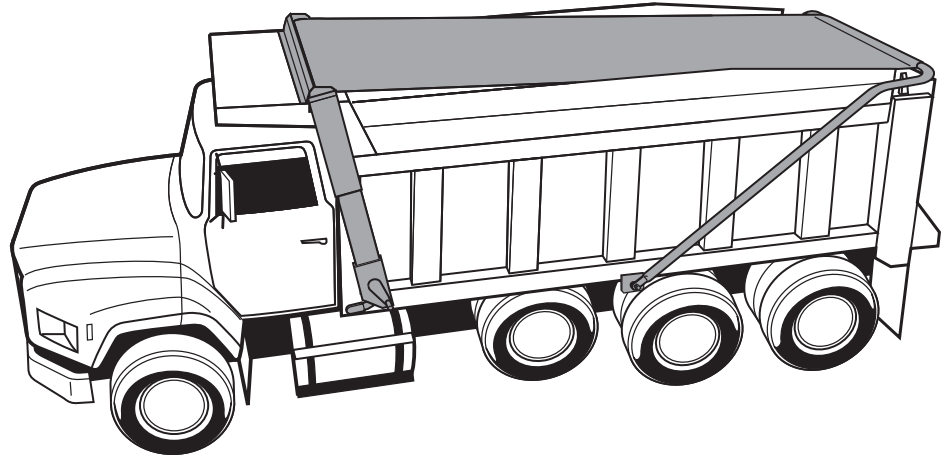




Serving the Truck & Trailer Industry
Since 1944



Parts Lists

Call 800-535-9545 | www.aeroindustries.com

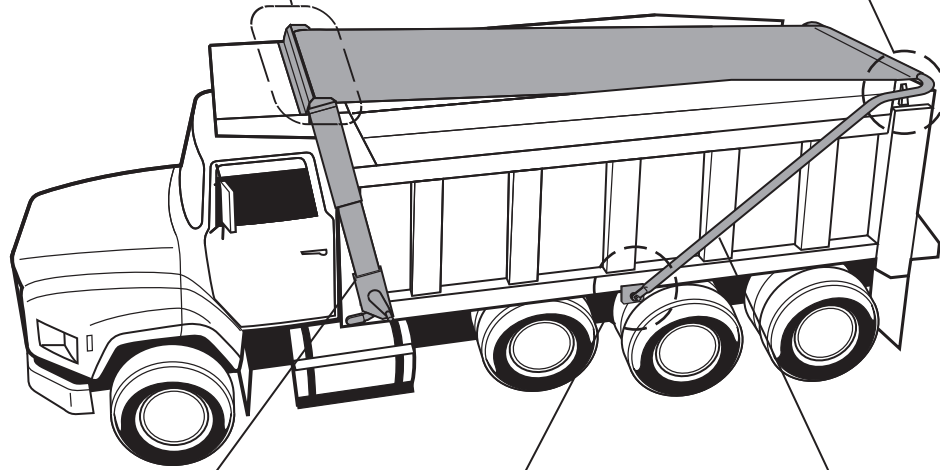
Indianapolis, IN | Omaha, NE | Kent, OH | Valley, NE

Parts List Directory

Item	Page
Wind Deflectors	5
End Plates for Wind Deflectors	6
Roll Bars (Manual and Electric) (Fixed and Adjustable Width)	7-8
Tarp Housing and Mounting Brackets	9
Swing Arms Aluminum	10
Swing Arms Steel	11
Swing Arms	12-13
3 Piece Arm Kit & Adjustable Pivot Arm Kit	14-15
Body Guard Kit and Arm Restraint Kit	16-17
Undermount Spring 1/2" and 5/8"	18
Underbody Spring 1/2" and 5/8"	19
Series Spring	20
Series Spring Flush Mount	21
PowerPack Spring Kit	22
Flange Mounted Spring	23
10 Spring Flange Mount & Helper Linkage Assembly	24-25
Motor	26
RDCC Kit 12 V 50 Amp Rocker	27
RDCC Kit 24 V 20 Amp Rocker	28
Rotary Switch Kit (Old Style)	29
Lead and Pup Electrical	30
Wire and Plugs	31
Wireless Connection Kit V1	32
Crank Assemblies	33-34
Crank Covers	35
The Claw V1 & V2	36-37
Double Arm	38
Roll Bar Mounting Kit	39
 Legacy	
Old Style Tear Drop Crossbar	40
Sidemount Spring Assembly	41
Narrow Style 10 Spring Flange Mount	42-43
Motors and End Plates	44

Wind Deflectors, Tarp Housings,
End Plates, Brackets, and Roll Bars
Pages 5-9

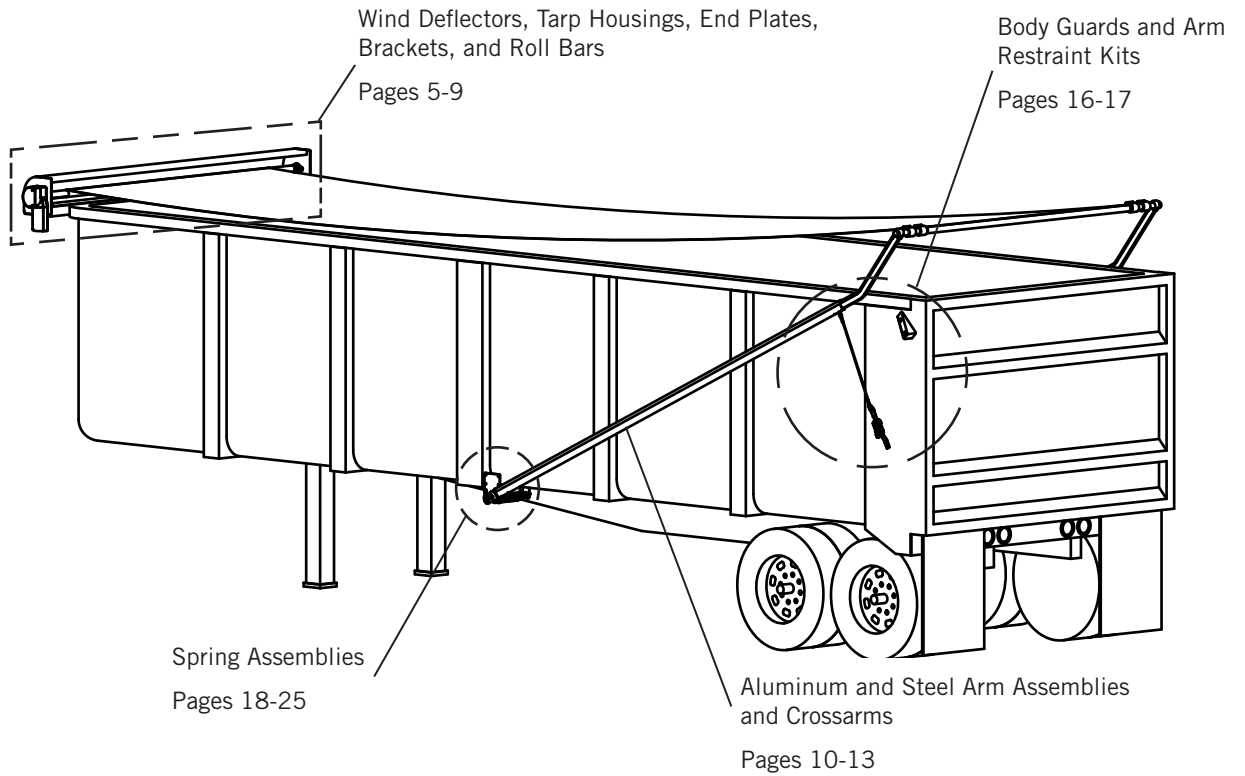
Body Guards and Arm
Restraint Kits
Pages 16-17



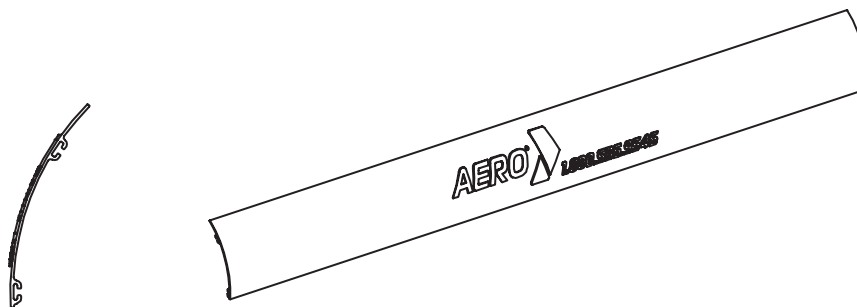
Crank Assemblies
and Covers
Pages 33-35

Spring Assemblies
Pages 18-25

Aluminum and Steel
Arm Assemblies and
Crossarms
Pages 10-13



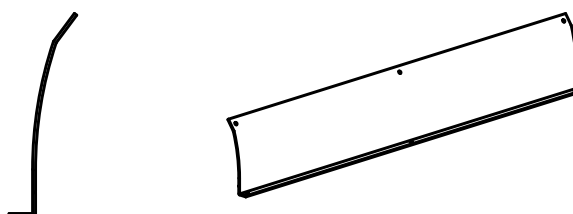
Wind Deflectors



- 0311-961845 Wind Deflector V2.0 96"**
- 0311-961846 Wind Deflector V2.0 102"**

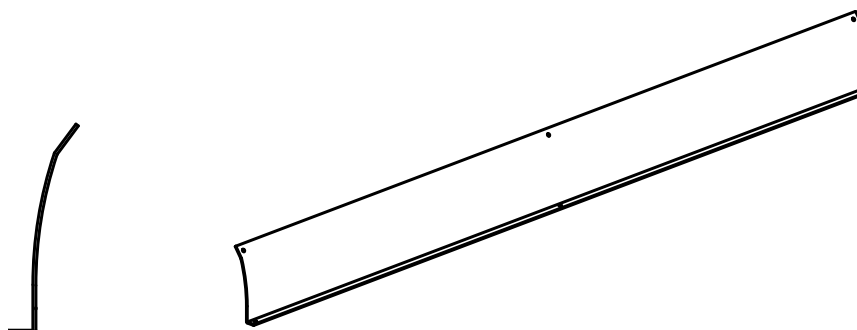
For use with End Plates: 0311-861840 End Plate P.S.
0311-861839 End Plate D.S.

Legacy



- 0311-861865 Wind Deflector 54"**

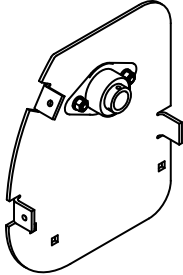
For use with End Plates: 0311-860851 End Plate P.S.
0311-860582 End Plate D.S.



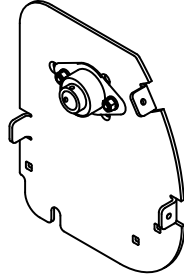
- 0311-861867 Wind Deflector 97"**

For use with End Plates: 0311-860851 End Plate P.S.
0311-860582 End Plate D.S.

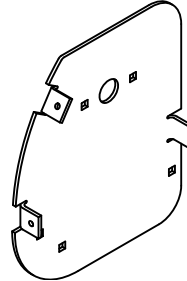
End Plates for Wind Deflectors



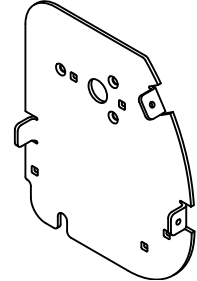
End Plate Assy PS
Model 400/450
0311-961844



End Plate Assy DS
Model 400/450
0311-961843

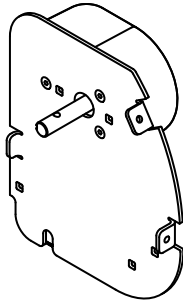


End Plate P.S.
For Crank or Electric
0311-861840

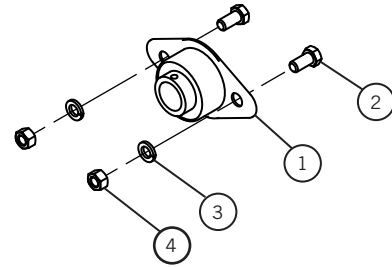


End Plate D.S.
For Crank or Electric
0311-861839

Round Gearbox Motor



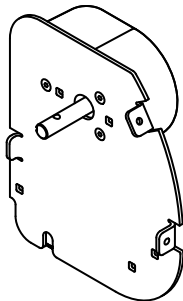
Motor Assy Winch B
Model 500/550
0311-961870



0311-962583 Bearing Kit for all End Plates

No.	Part No.	Description	Qty
1	0710-602155	Bearing Flange 1" Bore	1
2	0810-670682	3/8-16 x 3/4 Hex Bolt	2
3	0820-680610	3/8 Lock Washer	2
4	0815-660640	3/8-16 Hex Nut	2

Square Gearbox Motor

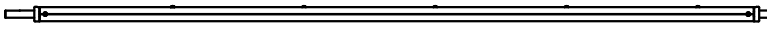


Motor Assembly
Model 550
0311-961893

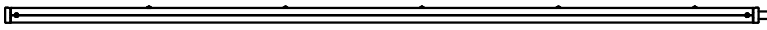
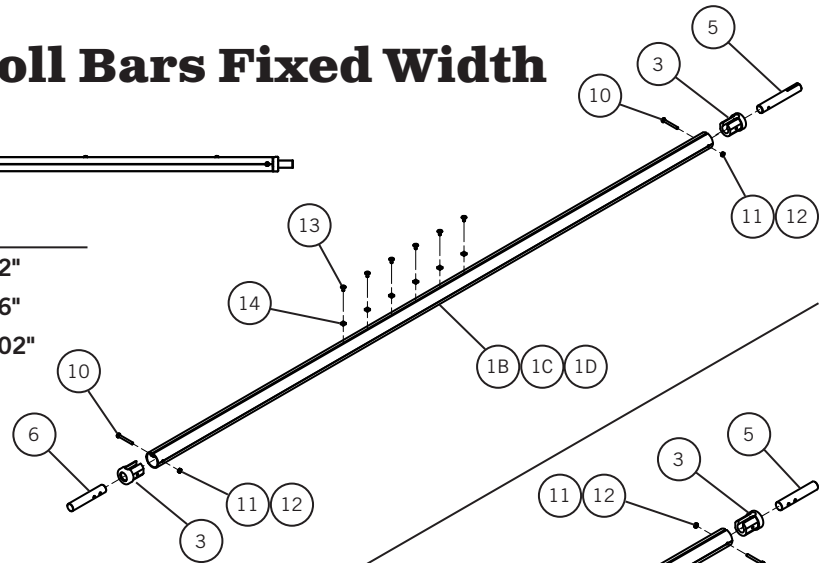
0311-960581 PACK, W/D END PLATE HWD

Part No.	Description	Qty
0810-650456	BOLT CARR 1/4-20x3/4	4
0815-660451	NUT HEX. 1/4-20-NYLOCK	4
0810-670650	BOLT HHCS 3/8"-16 x 1"	6
0820-680620	WASHER FLAT 3/8"	12
0815-660660	NUT HEX. 3/8-16	6

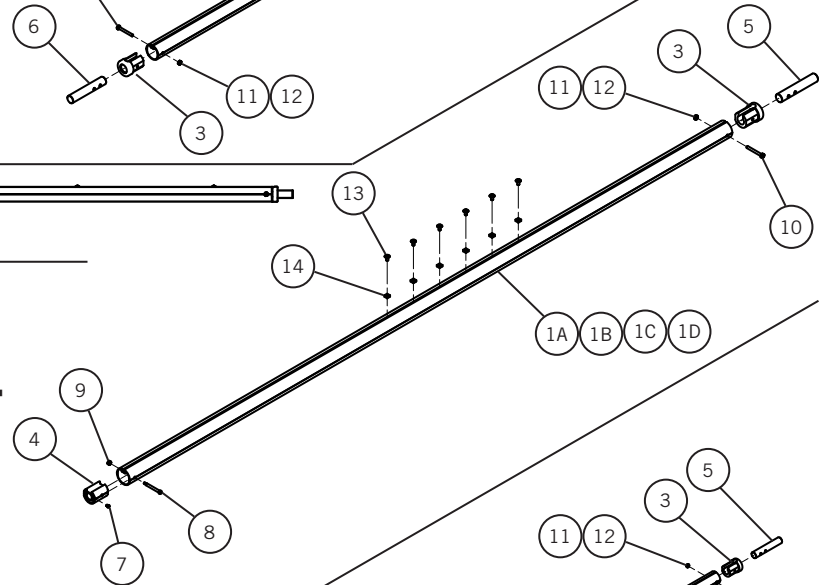
Roll Bars Fixed Width



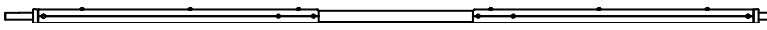
Part No.	Description
0311-961304	Roll Up Bar Assy Manual 92"
0311-961303	Roll Up Bar Assy Manual 96"
0311-961305	Roll Up Bar Assy Manual 102"



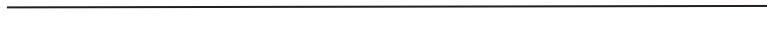
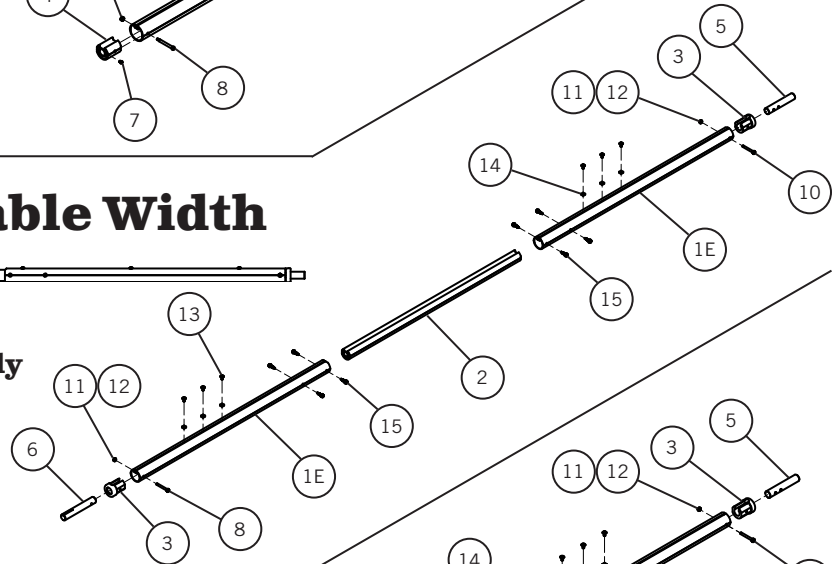
Part No.	Description
0311-961310	Roll Up Bar Assy Elec 84"
0311-961301	Roll Up Bar Assy Elec 92"
0311-961300	Roll Up Bar Assy Elec 96"
0311-961302	Roll Up Bar Assy Elec 102"



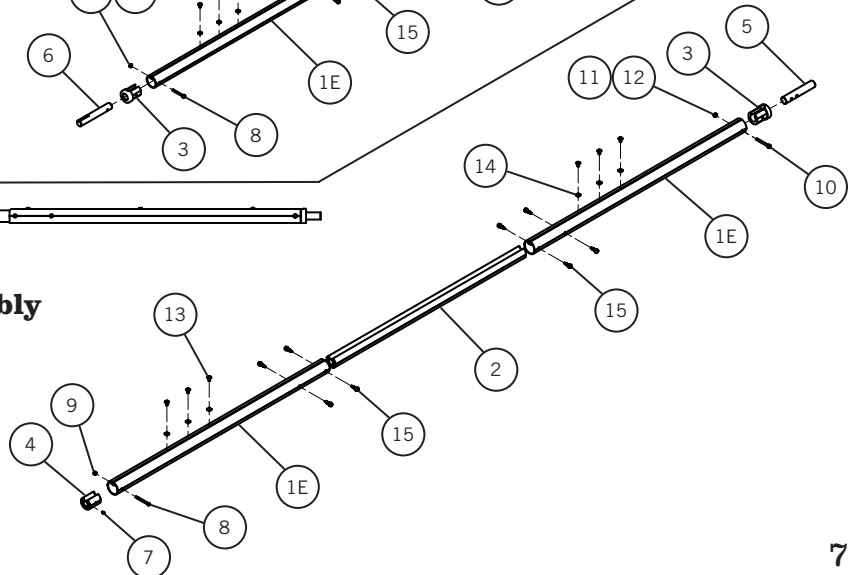
Roll Bars Adjustable Width



Model 400-475
Roll Bar Manual Assembly
0311-961306



Model 500-575
Roll Bar Electric Assembly
0311-961307



No.	Part No.	Description
1A	0311-862216	Roll Up Tube 1pc 79-7/8"
1B	0311-862213	Roll Up Tube 1pc 87-7/8"
1C	0311-862212	Roll Up Tube 1pc 91-7/8"
1D	0311-862214	Roll Up Tube 1pc 97-7/8"
1E	0311-860762	Roll Up Tube 3 PC 40"

ROLL BAR FIXED MANUAL

No.	Part No.	Description
3	0311-861431	END, ROLLUP BAR; PS; 400
5	0311-860497	SHAFT, END; PS; 1" DIA.
6	0311-860499	SHAFT, END; DS; 1" DIA.
10	0810-650478	BOLT HHCS 1/4-20x2-1/4
11	0820-680410	WASHER FLAT 1/4"
12	0815-660456	NUT HEX. 1/4-20 JAM
	0311-962228	PACK,1PC ROLL BAR TARP HD

ROLL BAR 3 PIECE MANAUL

No.	Part No.	Description
2	0311-860761	INNER 3PC ROLL TUBE THICK
3	0311-861431	END, ROLLUP BAR; PS; 400
5	0311-860497	SHAFT, END; PS; 1" DIA.
6	0311-860499	SHAFT, END; DS; 1" DIA.
10	0810-650478	BOLT HHCS 1/4-20x2-1/4
11	0820-680410	WASHER FLAT 1/4"
12	0815-660456	NUT HEX. 1/4-20 JAM
	0311-962229	PACK,3PC ROLL BR TARP HDW

ROLL BAR FIXED ELECTRIC

No.	Part No.	Description
3	0311-861431	END, ROLLUP BAR; PS; 400
4	0311-860760	BUSHING, ALUM. ROLLUP BAR
5	0311-860497	SHAFT, END; PS; 1" DIA.
7	0825-650507	SCREW 6-32 X 1/4" FORMING
8	0810-650420	BOLT SHOULDER 1/4 X 2
9	0815-660932	NUT HEX. #10-24
10	0810-650478	BOLT HHCS 1/4-20x2-1/4
11	0820-680410	WASHER FLAT 1/4"
12	0815-660456	NUT HEX. 1/4-20 JAM
	0311-962228	PACK,1PC ROLL BAR TARP HD

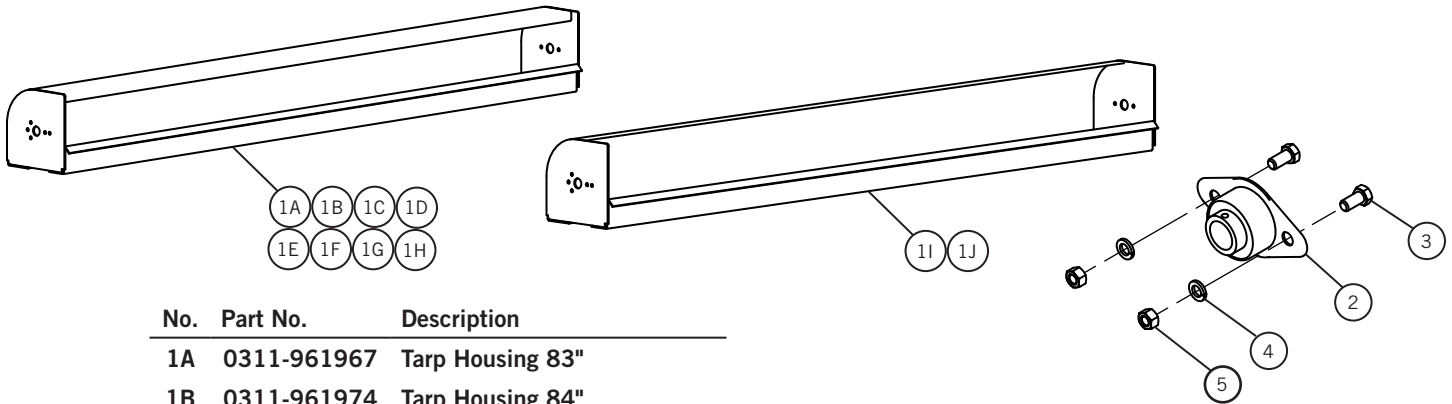
ROLL BAR 3 PIECE ELECTRIC

No.	Part No.	Description
2	0311-860761	INNER 3PC ROLL TUBE THICK
3	0311-861431	END, ROLLUP BAR; PS; 400
4	0311-860760	BUSHING, ALUM. ROLLUP BAR
5	0311-860497	SHAFT, END; PS; 1" DIA.
7	0825-650507	SCREW 6-32 X 1/4" FORMING
8	0810-650420	BOLT SHOULDER 1/4 X 2
9	0815-660932	NUT HEX. #10-24
10	0810-650478	BOLT HHCS 1/4-20x2-1/4
11	0820-680410	WASHER FLAT 1/4"
12	0815-660456	NUT HEX. 1/4-20 JAM
	0311-962229	PACK,3PC ROLL BR TARP HDW

No.	Part No.	Description	Qty
	0311-962228	PACK,1PC ROLL BAR TARP HD	
13	0825-690702	1/4-20 x 1/2 Truss Head	6
14	0815-660702	1/4-20 Square Nut	6

No.	Part No.	Description	Qty
	0311-962229	PACK,1PC ROLL BAR TARP HD	
13	0825-690702	1/4-20 x 1/2 Truss Head	6
14	0815-660702	1/4-20 Square Nut	6
15	0825-670360	SCREW #14 X 1 HEX TEK	8

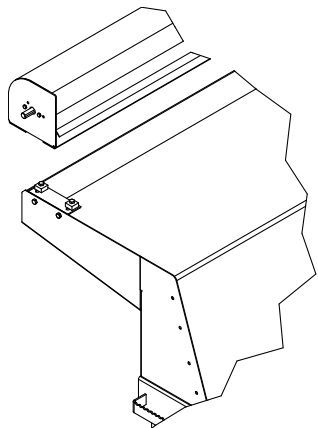
Tarp Housing and Mounting Brackets



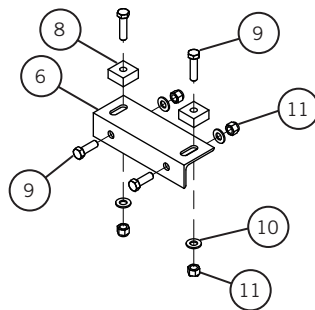
No.	Part No.	Description
1A	0311-961967	Tarp Housing 83"
1B	0311-961974	Tarp Housing 84"
1C	0311-961964	Tarp Housing 87-1/4"
1D	0311-961962	Tarp Housing 92"
1E	0311-961960	Tarp Housing 96"
1F	0311-961965	Tarp Housing 98"
1G	0311-961963	Tarp Housing 100"
1H	0311-961961	Tarp Housing 102"
1I	0311-961988	Tarp Housing Open Top 96"
1J	0311-961989	Tarp Housing Open Top 102"

0311-962583 Bearing Kit for all Tarp Housings

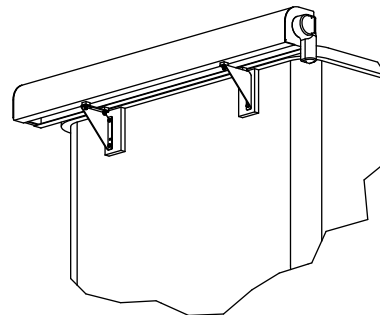
No.	Part No.	Description	Qty
2	0710-602155	Bearing Flange 1" Bore	1
3	0810-670682	3/8-16 x 3/4 Hex Bolt	2
4	0820-680610	3/8 Lock Washer	2
5	0815-660640	3/8-16 Hex Nut	2



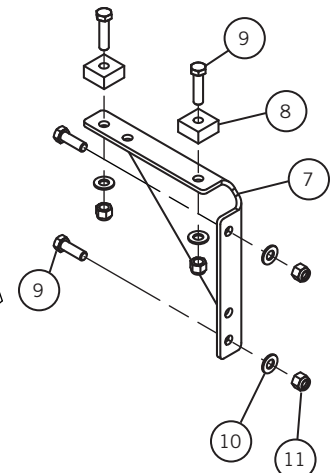
Cab Shield Mounting



Cab Shield Mounting Hardware



Trailer Mounting



Trailer Mounting Hardware

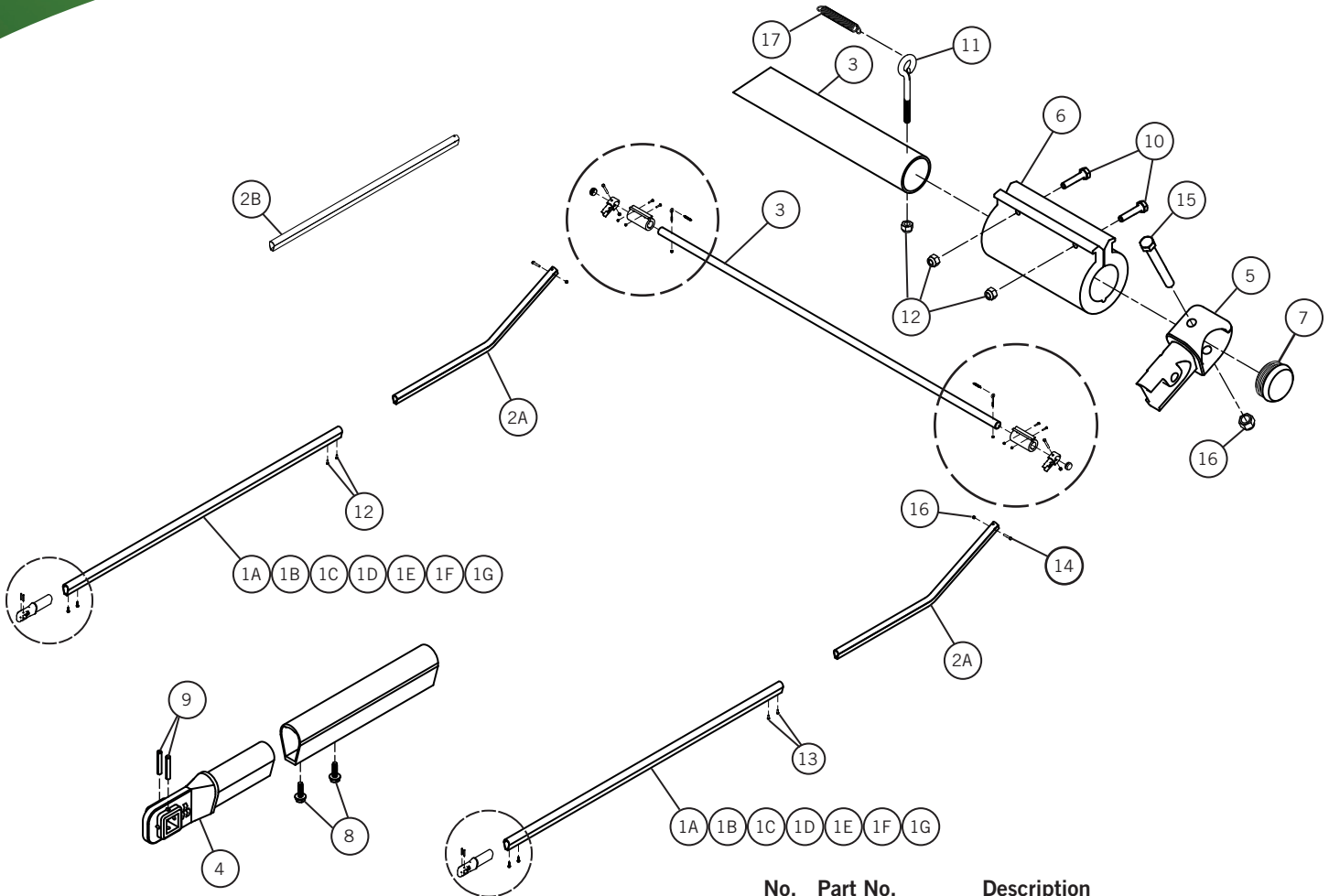
0311-960104 Cab Shield Bracket Kit

No.	Part No.	Description	Qty
6	0311-860481	Mounting Bracket	2
8	0765-618840	Rubber Bushing	4
9	0810-600002	1/2-13 x 2 Hex Bolt GR5	8
10	0820-680810	1/2 Flat Washer	8
11	0815-660855	1/2 Nylon Hex Nut	8

0311-960106 Trailer Bracket Kit

No.	Part No.	Description	Qty
7	0311-860485	Mounting Bracket Trailer	2
8	0765-618840	Rubber Bushing	4
9	0810-600002	1/2-13 x 2 Hex Bolt GR5	8
10	0820-680810	1/2 Flat Washer	8
11	0815-660855	1/2 Nylon Hex Nut	8

Swing Arms Aluminum



No.	Part No.	System Length	Description
1A	0311-861802	10' - 13'	Swing Arm Lower 62"
1B	0311-861803	14' - 21'	Swing Arm Lower 89"
1C	0311-861804	22' - 25'	Swing Arm Lower 123"
1D	0311-861805	26' - 28'	Swing Arm Lower 150"
1E	0311-861806	29' - 32'	Swing Arm Lower 187"
1F	0311-861807	33' - 40'	Swing Arm Lower 215"
1G	0311-861908	41' - 49'	Swing Arm Lower 240"

0311-962577 PACK,UPPR & CROSS ARM HWD

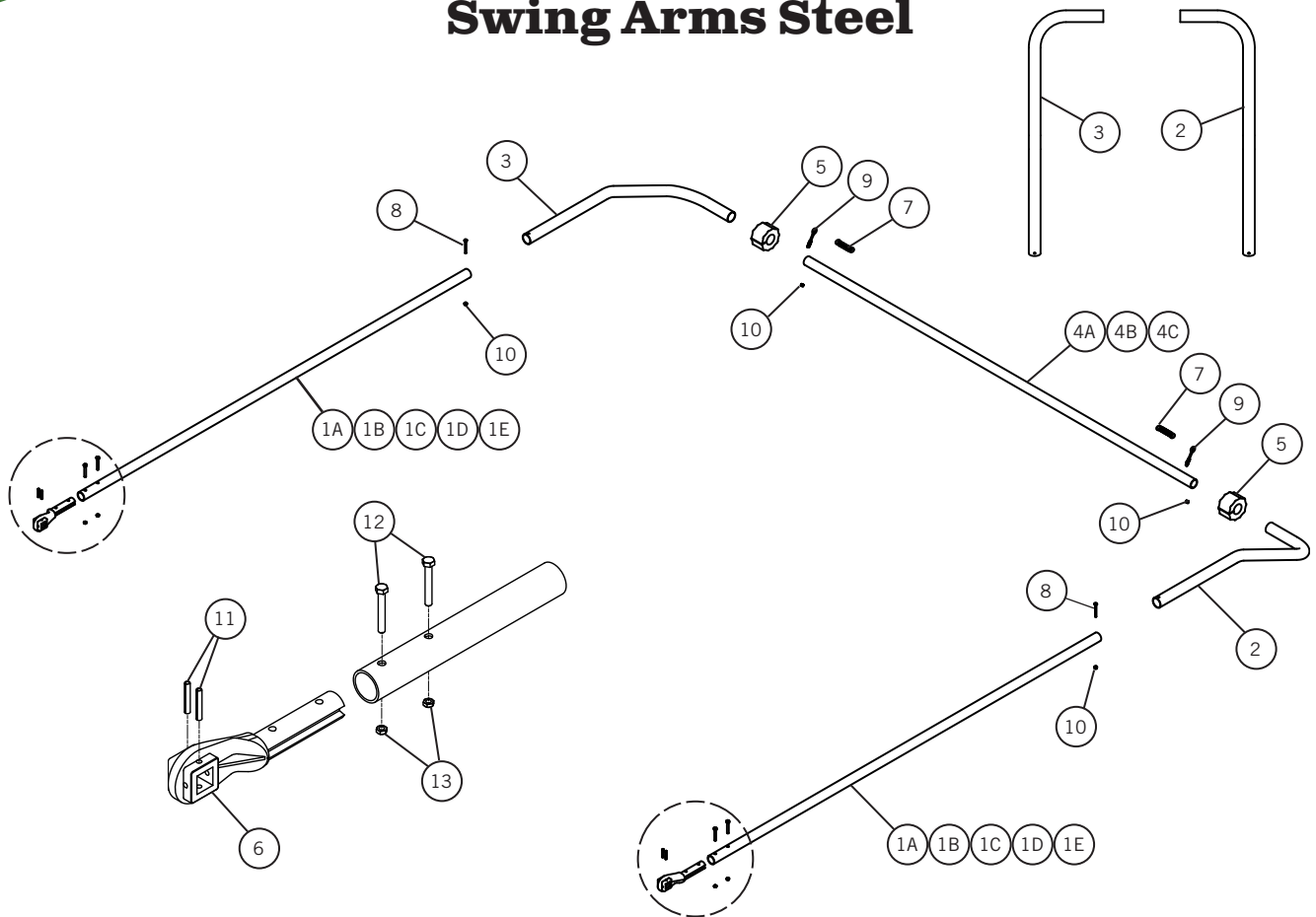
No.	Part No.	Description	Qty
8	0810-650510	BOLT HWH. 5/16"x1" TYPE F	4
9	0835-691616	PIN SPRING 1/4X1-5/8 ZINC	4

No.	Part No.	Description
2A	0311-861824	Swing Arm Upper Bent
2B	0311-861812	Swing Arm Upper Straight
3	0311-860706	Cross Arm Rear 107.5" 14GA
4	0311-864103	End Fitting E/C
5	0311-861151	Arm End
6	0311-862277	Rubber Bumper
7	0311-862135	Plug End 1 3/4" Dia Tube

0311-963214 PACK,UPPR & CROSS ARM HWD

No.	Part No.	Description	Qty
10	0810-650503	BOLT HHCS 1/4-20x1-1/4	4
11	0810-650911	BOLT EYE. 1/4-20x2-1/2	2
12	0815-660451	NUT HEX. 1/4-20-NYLOCK	6
13	0810-670682	BOLT HHCS 3/8-16x3/4	4
14	0810-670705	BOLT HHCS 3/8-20x2	2
15	0810-650112	BOLT HHCS 3/8-20x3	2
16	0815-660660	NUT HEX 3/8-16	4
17	0715-619601	SPRING, TENSION; 4"; ZINC	2

Swing Arms Steel

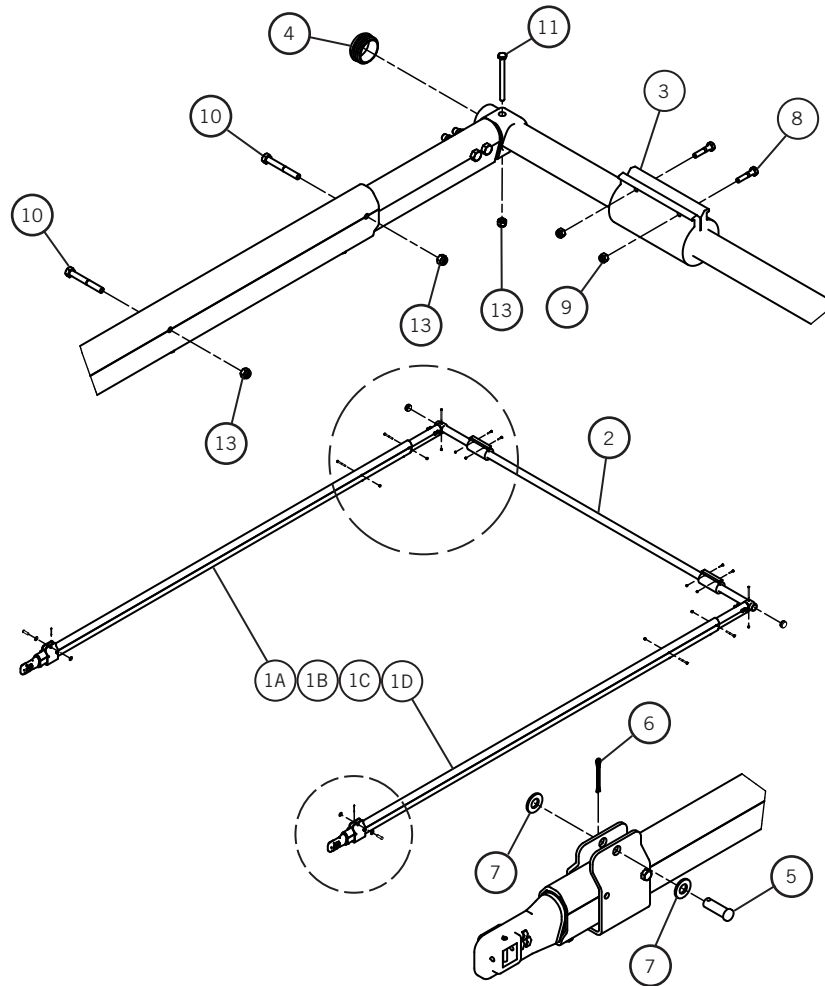


No.	Part No. Arm Only	System Length	Description	Part No. Includes casting
1A	0311-861910	10' - 13'	Swing Arm Undermount 60"	0311-961930 LWR SWING ARM ASSY10-13
1B	0311-861911	14' - 17'	Swing Arm Undermount 92"	0311-961931 LWR SWING ARM ASSY11-17
1C	0311-861912	18' - 21'	Swing Arm Undermount 103"	0311-961932 LWR SWING ARM ASSY18-21
1D	0311-861913	22' - 25'	Swing Arm Undermount 138"	0311-961933 LWR SWING ARM ASSY22-25
1E	0311-961914	26' - 28'	Swing Arm Undermount 160"	0311-961934 LWR SWING ARM ASSY26-28

0311-960554 Hardware Kit

No.	Part No.	Description	No.	Description	Qty
2	0311-860589	Connecting Arm DS	7	Spring Tension 4"	2
3	0311-860590	Connecting Arm PS	8	1/4-20 x 2 1/4 Hex Bolt	2
4A	0311-860591	Cross Arm Rear Steel 92"	9	1/4-20 x 2 1/2 Eye Bolt	2
4B	0311-860574	Cross Arm Rear Steel 104"	10	1/4-20 Nylon Hex Nut	4
4C	0311-860573	Cross Arm Rear Steel 110"	11	1/4 x 1 5/8 Spring Pin	4
5	0311-862260	Rubber Bumper Steel Arms	12	5/16-18 x 2 1/2 Hex Bolt	4
6	0311-860185	Spring Casting for Steel Arms	13	5/16-18 Nylon Hex Nut	4

Toughest Triple Swing Arms for 10-Spring



See next page for Arm Assembly parts.

Complete Arm Assembly

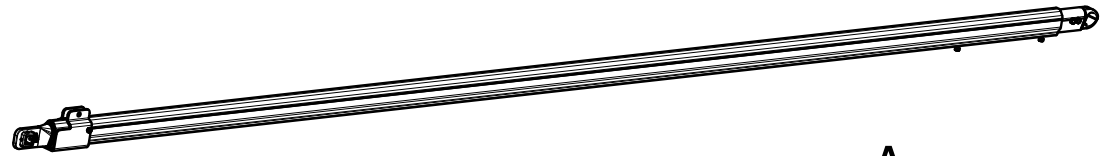
No.	Part No.	Description
1A	0311-962281	Swing Arm Assy TT 33'-39'
1B	0311-962272	Swing Arm Assy TT 40'-43'
1C	0311-962273	Swing Arm Assy TT 44'-48'
1D	0311-962276	Swing Arm Assy TT 49'-53'

No.	Part No.	Description
2	0311-860706	Cross Arm Rear 107.5" 14GA
3	0311-862277	Rubber Bumper
4	0311-862135	Plug End 1-3/4" Dia Tube

0311-960107 Hardware Pack E/C 10-Spring

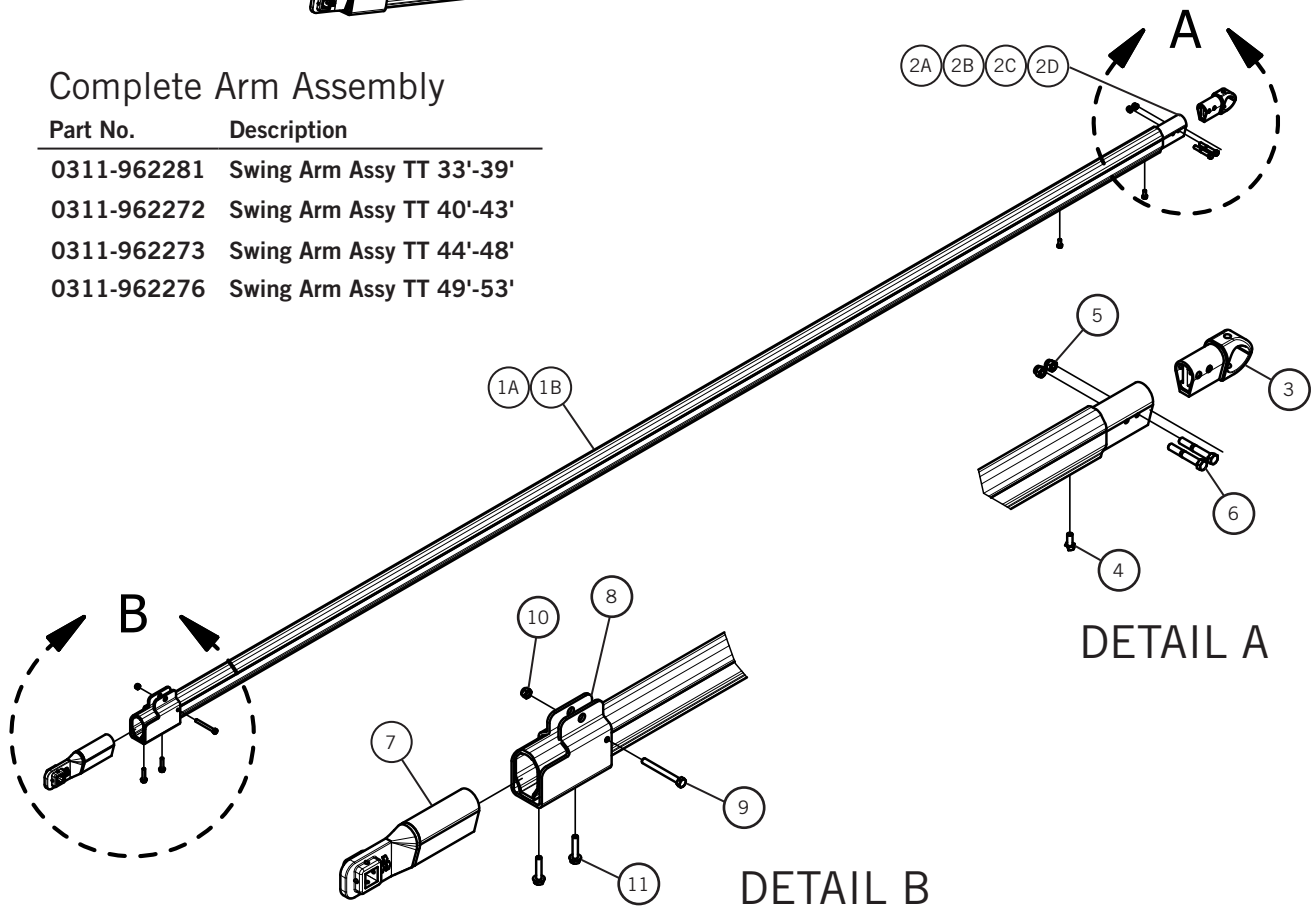
No.	Part No.	Description	Qty
5	0835-691631	PIN CLEVIS 1/2" x 1-1/2"	4
6	0835-691620	PIN COTTER 1/8" x 1-1/2"	4
7	0820-680810	WASHER FLAT 1/2"	12
8	0810-650503	BOLT HHCS 1/4-20 x 1-1/4"	4
9	0815-660451	NUT HEX. 1/4-20 NYLOCK	4
10	0810-670670	BOLT HHCS 3/8-16x2-1/2"	4
11	0810-650112	BOLT HHCS 3/8-16x3"	2
12	0810-670654	BOLT HHCS 3/8"-16x1-1/4"	8
13	0815-660660	NUT HEX. 3/8-16	12
14	0820-680620	WASHER FLAT 3/8"	16

Toughest Triple Swing Arms for 10-Spring



Complete Arm Assembly

Part No.	Description
0311-962281	Swing Arm Assy TT 33'-39'
0311-962272	Swing Arm Assy TT 40'-43'
0311-962273	Swing Arm Assy TT 44'-48'
0311-962276	Swing Arm Assy TT 49'-53'

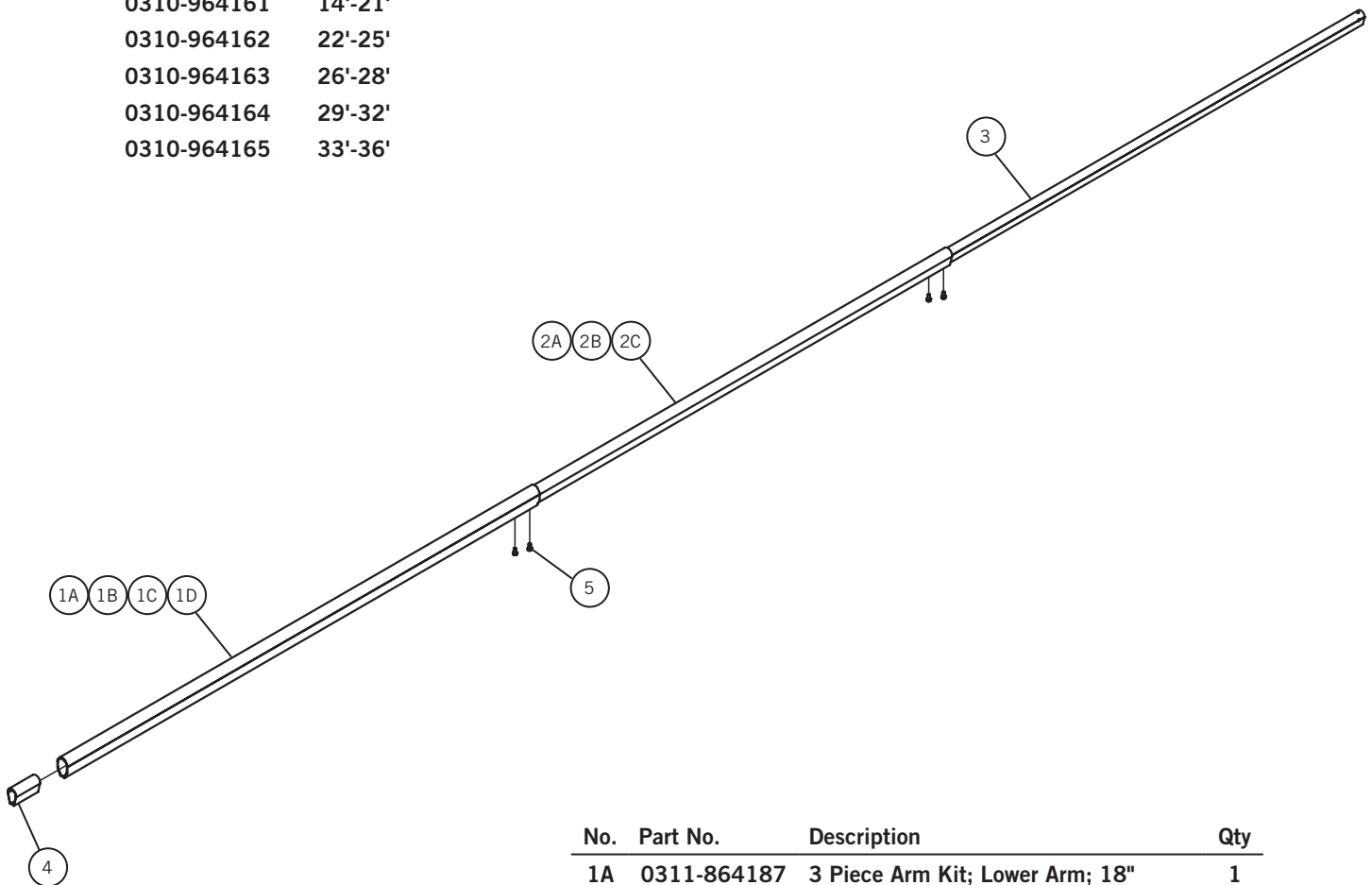


No.	Part No.	System Length	Description	No.	Part No.	Description	Qty
1A	0311-861883	36' - 43'	Swing Arm Lower 168"	3	0311-962261	CASTING UPPER GLUED	1
1B	0311-861885	44' - 53'	Swing Arm Lower 126"	4	0810-650101	5/16-18 x .75 HHCS GR8	2
2A	0311-863626	36' - 39'	Upper Arm 110"	5	0815-660660	3/8-16 NYLON LOCK NUT	2
2B	0311-863615	40' - 43'	Upper Arm 132"	6	0810-670653	3/8-16 UNC - 2.5 - BOLT HHCS	2
2C	0311-863629	44' - 48'	Upper Arm 201"	7	0311-962262	ARM END WITH SPACER	1
2D	0311-863628	49' - 53'	Upper Arm 223"	8	0311-863630	BRACKET LINKAGE, LONG	1
				9	0810-650608	5/16-18 x 3 HHCS GR8	1
				10	0815-660550	5/16-18 NYLOCK HEX NUT	1
				11	0810-650516	5/16-18 x 1.5 - SLOTTED	2

3 Piece Arm Kit

For 10' - 36' Systems

Kit Number	System Length
0310-964160	10'-13'
0310-964161	14'-21'
0310-964162	22'-25'
0310-964163	26'-28'
0310-964164	29'-32'
0310-964165	33'-36'

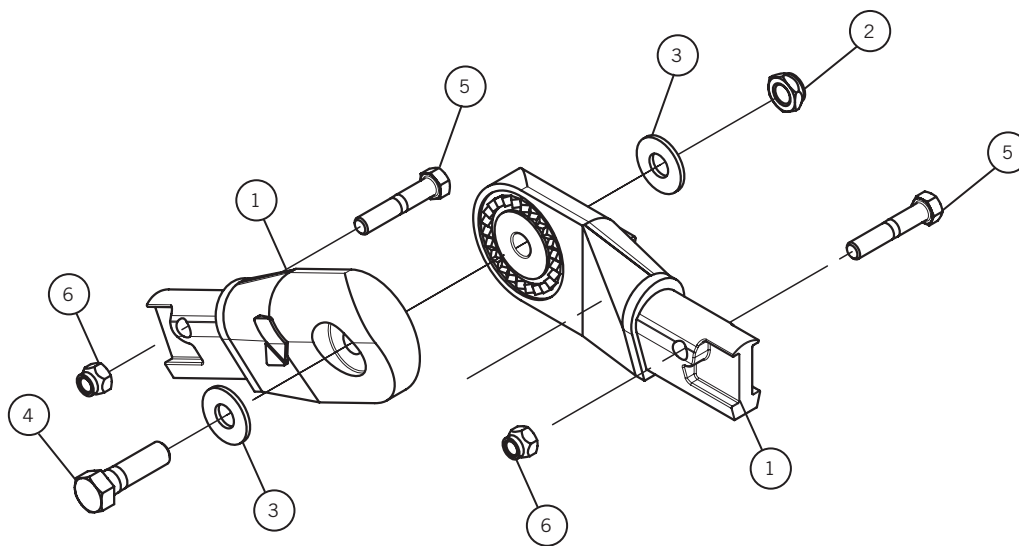
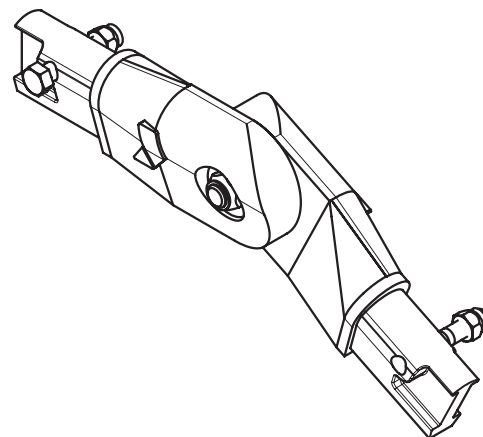


No.	Part No.	Description	Qty
1A	0311-864187	3 Piece Arm Kit; Lower Arm; 18"	1
1B	0311-864188	3 Piece Arm Kit; Lower Arm; 36.125"	1
1C	0311-864189	3 Piece Arm Kit; Lower Arm; 73.125"	1
1D	0311-864190	3 Piece Arm Kit; Lower Arm; 96"	1
2A	0311-864182	3 Piece Arm Kit; Middle Arm; 54.125"	1
2B	0311-864183	3 Piece Arm Kit; Middle Arm; 70.75"	1
2C	0311-864185	3 Piece Arm Kit; Middle Arm; 96"	1
3	0311-864181	3 Piece Arm Kit; Upper Arm; 96"	1
4	0311-863617	ARM INSERT 5"	1
5	0810-670682	3/8-16 UNC - 0.75 - BOLT HHCS	4

Adjustable Pivot Arm Kit

0311-962291 Single Arm Kit

0311-962292 Dual Arm Kit

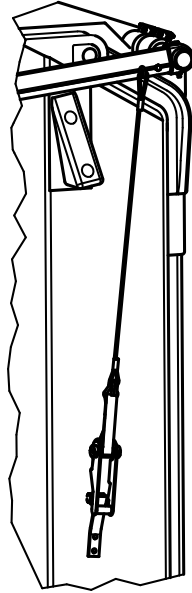


0311-962291 Single Arm Kit

0311-962292 Dual Arm Kit

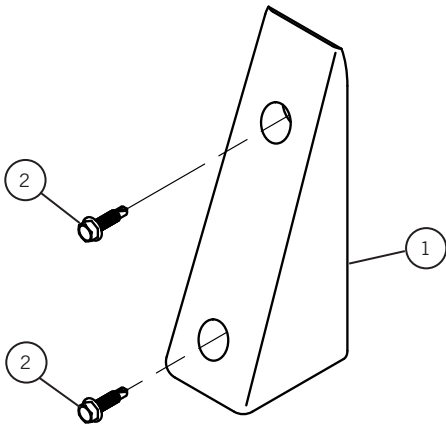
No.	Part No.	Description	Qty
1	1300-148439	CSTG, END FTG	2
2	0815-660531	1/2-13 THIN NYLON LOCK NUT	1
3	0820-680810	1/2 - USS FLAT WASHER	2
4	0810-650813	1/2-13 UNC - 1.75 - BOLT HHCS	1
5	0810-670705	3/8-16 UNC - 2 - BOLT HHCS	2
6	0815-660660	3/8-16 NYLON LOCK NUT	2

No.	Part No.	Description	Qty
1	1300-148439	CSTG, END FTG	4
2	0815-660531	1/2-13 THIN NYLON LOCK NUT	2
3	0820-680810	1/2 - USS FLAT WASHER	4
4	0810-650813	1/2-13 UNC - 1.75 - BOLT HHCS	2
5	0810-670705	3/8-16 UNC - 2 - BOLT HHCS	4
6	0815-660660	3/8-16 NYLON LOCK NUT	4



Body Guard Kit

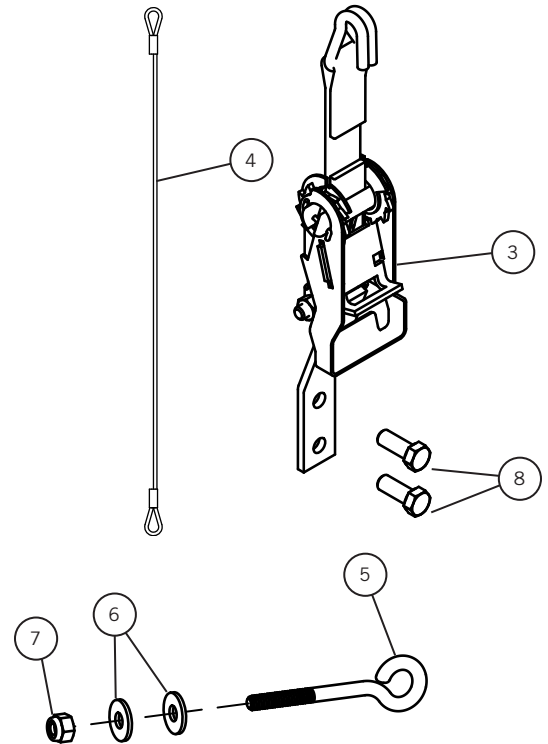
0311-960212 Body Guard Plastic Assy



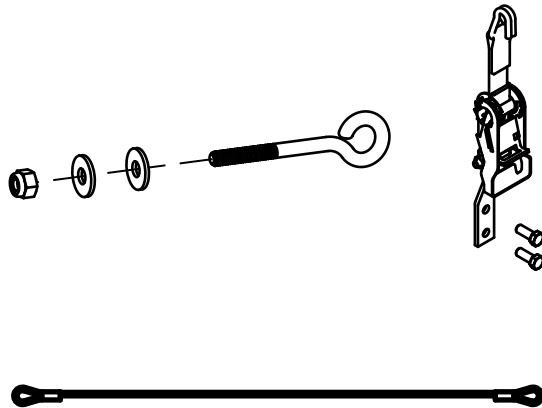
No.	Part No.	Description	Qty
1	0311-860219	Body Guard Plastic	1
2	0825-670345	#14 x 1 1/2 HWH TEK	2

Arm Restraint Kit

0311-962062



No.	Part No.	Description	Qty
3	1001-960430	Ratchet/Strap Assembly 1"	4
4	1001-860137	Cable Assembly 28"	2
5	0810-650919	1/4-20 x 3 GR2 Eye Bolt	2
6	0815-660451	1/4-20 Nylon Hex Nut	2
7	0820-680410	1/4 Flat Washer	4
8	0810-650510	5/16 x 1 Hex Bolt Type F	8
9	0720-603513	CHAIN QUICK LINK 1/4"	2



All Arm Restraint Kits Include

Part No.	Description	Qty
0810-650911	BOLT EYE. 1/4-20x2-1/2	2
0815-660451	NUT HEX. 1/4-20	2
0820-680410	WASHER FLAT 1/4"	4
0810-650510	BOLT HWH. 5/16"x1" TYPE F	4
1001-960430	RATCHET ASSY 1" W/ HOOK	2
0720-603513	CHAIN QUICK LINK 1/4"	2

0311-962064 Arm Restraint Kit 48"

Part No.	Description	Qty
0311-860136	CABLE TIE DOWN 48"	2

0311-962068 Arm Restraint Kit 66"

Part No.	Description	Qty
1201-860139	CABLE TIE DOWN 66"	2

0311-962069 Arm Restraint Kit 75"

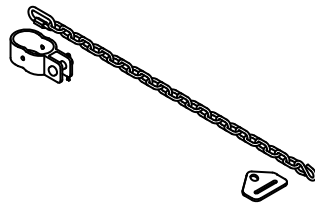
Part No.	Description	Qty
1001-860138	CABLE TIE DOWN 75"	2

0311-962062 Arm Restraint Kit 28"

Part No.	Description	Qty
1001-860137	CABLE TIE DOWN 28"	2

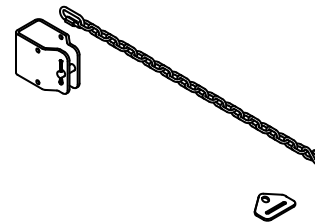
0311-962065 Arm Restraint Kit 36"

Part No.	Description	Qty
0311-860135	CABLE TIE DOWN 36"	2



0311-962066 Arm Restraint Kit Chain and Double Bow Bracket

Part No.	Description	Qty
0730-602830	BRACKET, ARM RESTRAINT	2
0311-863621	BRACKET, ADJ. HELPER	2
0311-855512	ARM RESTRAINT CHAIN ASSY	2
0825-670345	SCREW #14x1-1/2 HWH TEK	4
0810-650476	BOLT HHCS 1/4-20x2-3/4	2
0820-680410	WASHER FLAT 1/4"	2
0815-660451	NUT HEX. 1/4-20	2
0835-691631	PIN CLEVIS 1/2" x 1-1/2"	2
0835-691620	PIN COTTER 1/8" X 1-1/2"	2
0820-680810	WASHER FLAT 1/2"	4



0311-962067 Arm Restraint Kit Chain and Toughest Triple Bracket

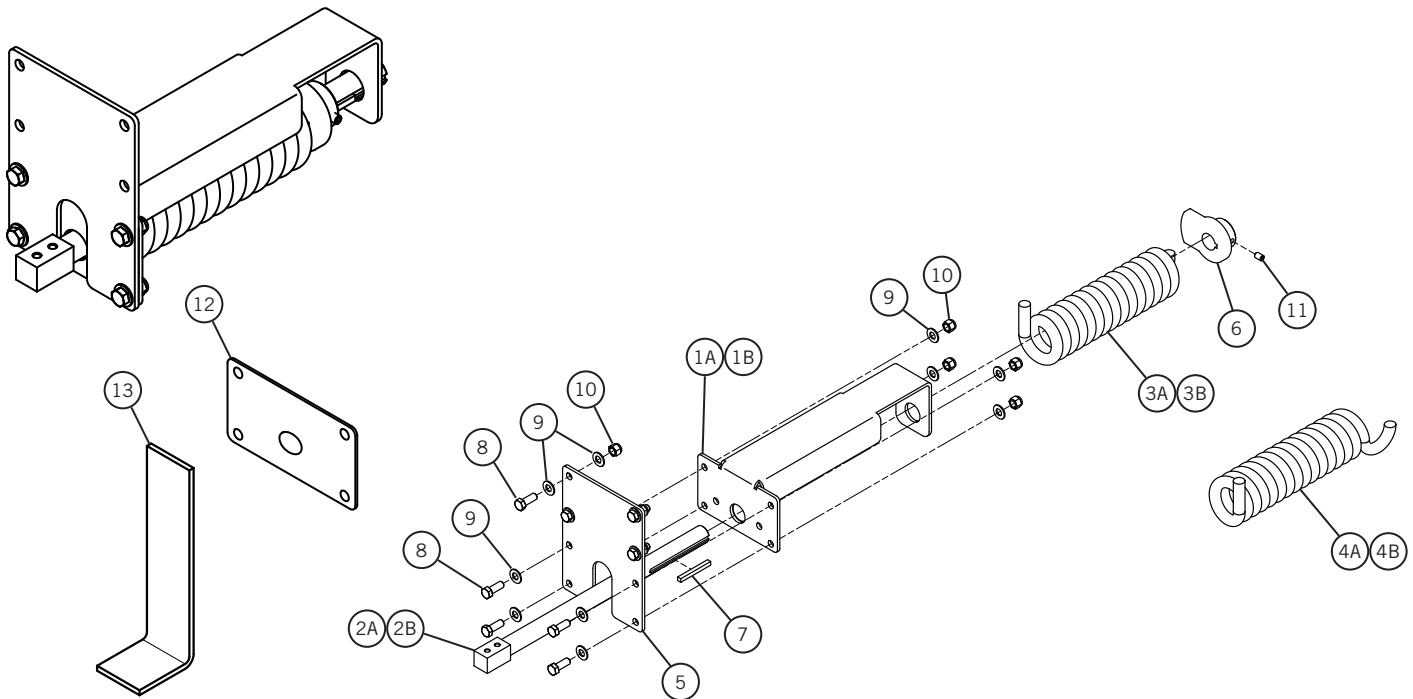
Part No.	Description	Qty
0730-602830	BRACKET, ARM RESTRAINT	2
0311-863624	BRACKET, LINKAGE	2
0311-855512	ARM RESTRAINT CHAIN ASSY	2
0825-670345	SCREW #14x1-1/2 HWH TEK	4
0810-650476	BOLT HHCS 1/4-20x2-3/4	2
0820-680410	WASHER FLAT 1/4"	2
0815-660451	NUT HEX. 1/4-20	2
0835-691631	PIN CLEVIS 1/2" x 1-1/2"	2
0835-691620	PIN COTTER 1/8" X 1-1/2"	2
0820-680810	WASHER FLAT 1/2"	4

Undermount Springs

Model 400/500 - (Steel Arms)
 Model 450/550 - (Aluminum Arms)

0311-962277 10' - 17' System Length Spring Kit Under/Mount 1/2"
 0311-960344 Undermount Spring Assembly 1/2" D.S.
 0311-960345 Undermount Spring Assembly 1/2" P.S.

0311-962278 18' - 40' System Length Spring Kit Under/Mount 5/8"
 0311-960346 Undermount Spring Assembly 5/8" D.S.
 0311-960347 Undermount Spring Assembly 5/8" P.S.



No.	Part No.	Description	No.	Part No.	Description
1A	0311-960330	Bracket Weld 1/2"	5	0311-860461	Mounting Plate
1B	0311-960350	Bracket Weld 5/8"	6	0311-960587	Bar Spring Grab
2A	0311-860451	Shaft Spring 1/2"	7	0840-618513	Keystick 6mm x 2 1/4
2B	0311-860452	Shaft Spring 5/8"	11	0825-670545	5/16-18 x 1/2 Set Screw
3A	0715-619562	Spring Undermount 1/2" D.S. Black	12	0311-860445	Cover Plate (Optional for Underbody)
3B	0715-619565	Spring Undermount 5/8" D.S. Black	*13	0311-860411	Bracket Spring Stabilizer (Optional)
4A	0715-619564	Spring Undermount 1/2" P.S. Silver		0311-962576	HARDWARE PACK E/C U/M
4B	0715-619563	Spring Undermount 5/8" P.S. Silver			

* Shipped with 5/8" Spring Kit for use on 29' - 40' System Lengths

0311-962576 Hardware Pack U/M

No.	Description	Qty
8	3/8-16 x 1 1/4 Hex Bolt	8
9	3/8 Flat Washer	16
10	3/8-16 Nylon Hex Nut	8

Underbody Springs

Model 400/500 - (Steel Arms)

Model 450/550 - (Aluminum Arms)

0311-963206 10' - 17' System Length Spring Kit Under/Mount 1/2"

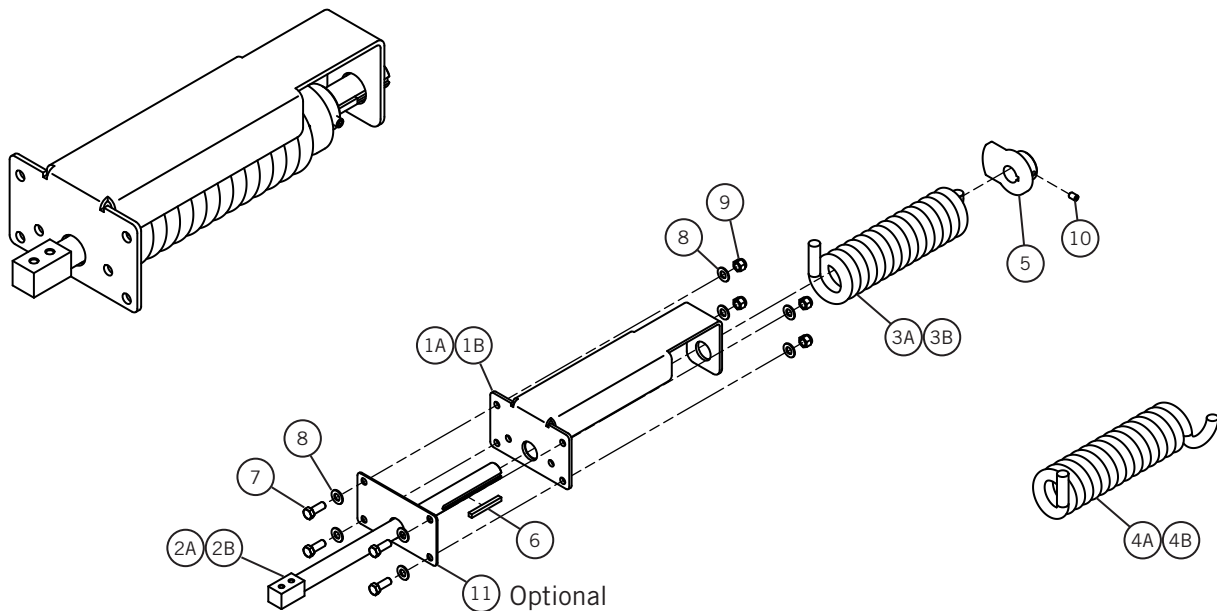
0311-960340 Underbody Spring Assembly 1/2" D.S.

0311-960341 Underbody Spring Assembly 1/2" P.S.

0311-963202 18' - 40' System Length Spring Kit Under/Mount 5/8"

0311-960342 Underbody Spring Assembly 5/8" D.S.

0311-960343 Underbody Spring Assembly 5/8" P.S.



No.	Part No.	Description	No.	Part No.	Description
1A	0311-960330	Bracket Weld 1/2"	4B	0715-619563	Spring Undermount 5/8" P.S. Silver
1B	0311-960350	Bracket Weld 5/8"	5	0311-960587	Bar Spring Grab
2A	0311-860451	Shaft Spring 1/2"	6	0840-618513	Keystock 6mm x 2 1/4
2B	0311-860452	Shaft Spring 5/8"	10	0825-670545	5/16-18 x 1/2 Set Screw
3A	0715-619562	Spring Undermount 1/2" D.S. Black	11	0311-860445	Cover Plate (Optional for Underbody)
3B	0715-619565	Spring Undermount 5/8" D.S. Black		0311-962576	HARDWARE PACK E/C U/M
4A	0715-619564	Spring Undermount 1/2" P.S. Silver			

0311-962576 Hardware Pack U/M

No.	Description	Qty
7	3/8-16 x 1 1/4 Hex Bolt	8
8	3/8 Flat Washer	16
9	3/8-16 Nylon Hex Nut	8

Series Spring

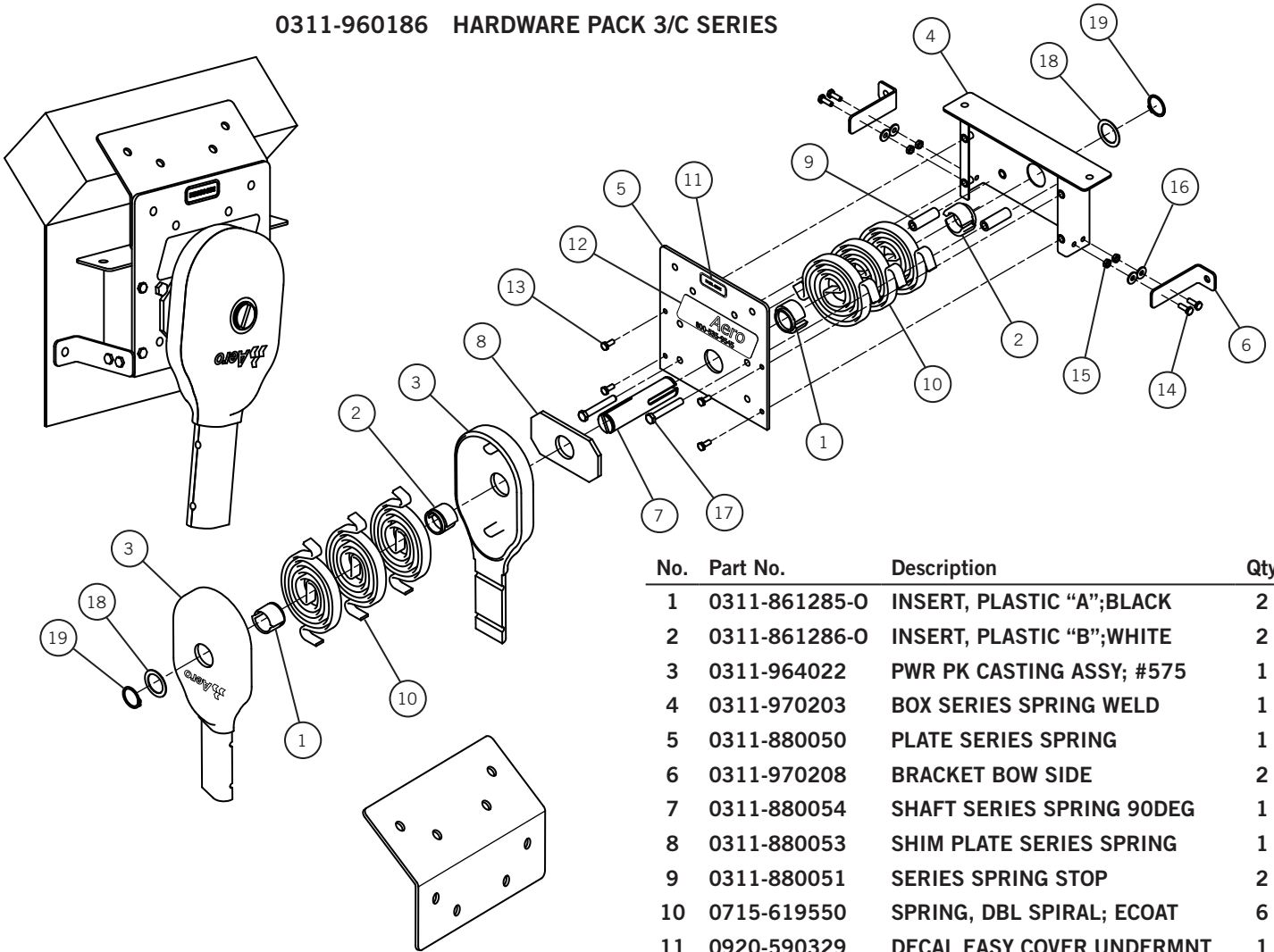
Model 465/565 - (Aluminum Arms)

0311-960187 10' - 21' System Length KIT, SERIES SPRING DS & PS

0311-970204 SPRING ASSY SERIES 3 DS

0311-970205 SPRING ASSY SERIES 3 PS

0311-960186 HARDWARE PACK 3/C SERIES



**BRACKET 565 SPRING MOUNT
(OPTIONAL)
0311-880017**

0311-960186 HARDWARE PACK E/C SERIES 3

Part No.	Description	Qty
0810-650510	BOLT HWH 5/16 X 1	12
0815-660550	NUT HEX 5/16-18	12
0820-680510	WASHER FLAT 5/16	12

No.	Part No.	Description	Qty
1	0311-861285-0	INSERT, PLASTIC "A";BLACK	2
2	0311-861286-0	INSERT, PLASTIC "B";WHITE	2
3	0311-964022	PWR PK CASTING ASSY; #575	1
4	0311-970203	BOX SERIES SPRING WELD	1
5	0311-880050	PLATE SERIES SPRING	1
6	0311-970208	BRACKET BOW SIDE	2
7	0311-880054	SHAFT SERIES SPRING 90DEG	1
8	0311-880053	SHIM PLATE SERIES SPRING	1
9	0311-880051	SERIES SPRING STOP	2
10	0715-619550	SPRING, DBL SPIRAL; ECOAT	6
11	0920-590329	DECAL EASY COVER UNDERMNT	1
12	0920-590392	DECAL 2 x 7 AERO GEL	1
13	0810-650172	BOLT HHCS 1/4-20 X 5/8	4
14	0810-650171	BOLT HHCS 1/4-20 X 3/4	4
15	0815-660456	NUT HEX 1/4-20 JAM	4
16	0820-680410	WASHER FLAT 1/4"	4
17	0810-650621	BOLT HHCS 3/8-16 X 2-1/2	2
18	0820-680411	WASHER FLAT 1-1/4" X 1-7/8"	2
19	0311-860902	RING, PWR PACK RETAINING	2

Series Spring Flush Mount

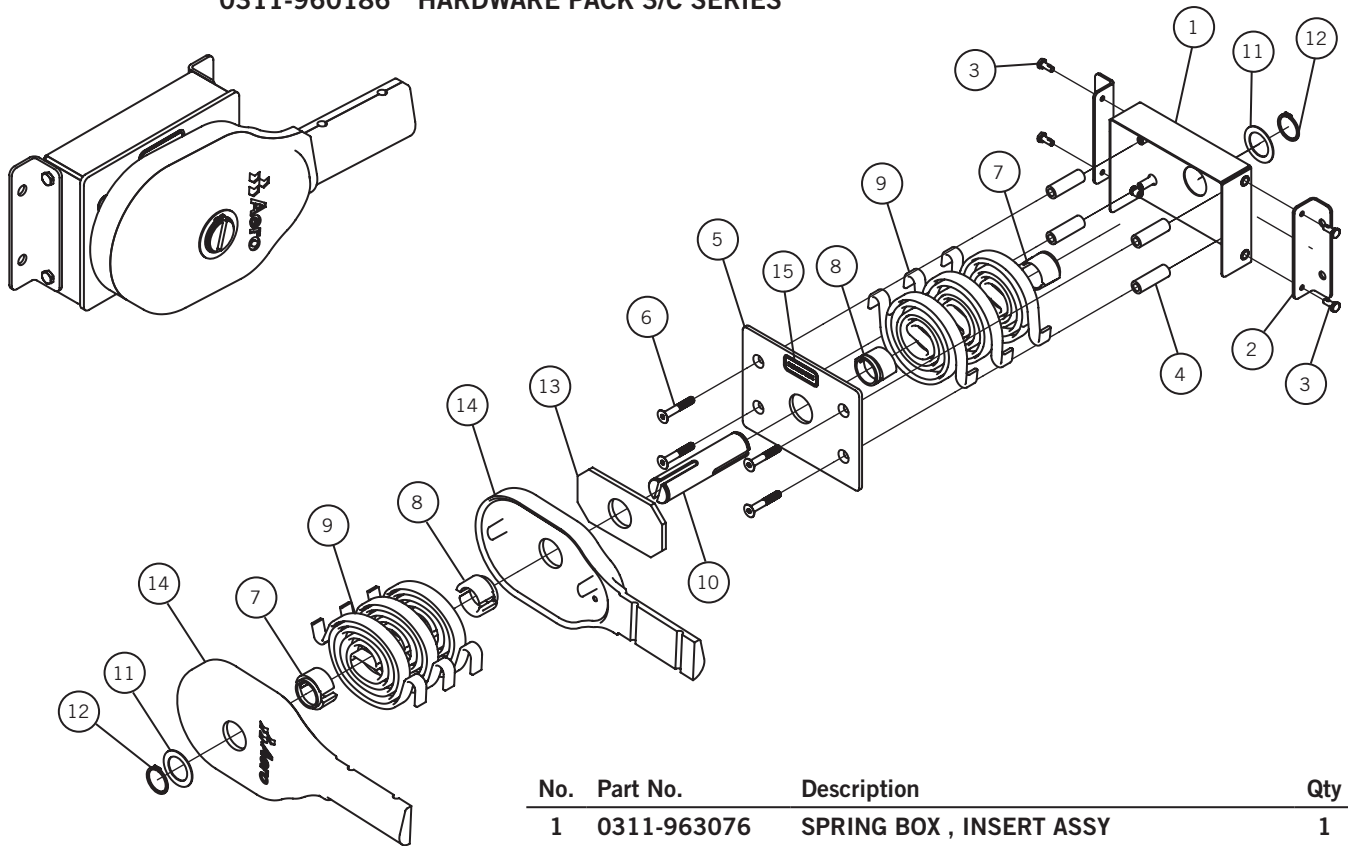
Model 465/565 - (Aluminum Arms)

0311-963081 FLUSH MOUNT SPRING KIT

0311-963077 SPRING ASSY FLUSH MOUNT DS

0311-963078 SPRING ASSY FLUSH MOUNT PS

0311-960186 HARDWARE PACK 3/C SERIES



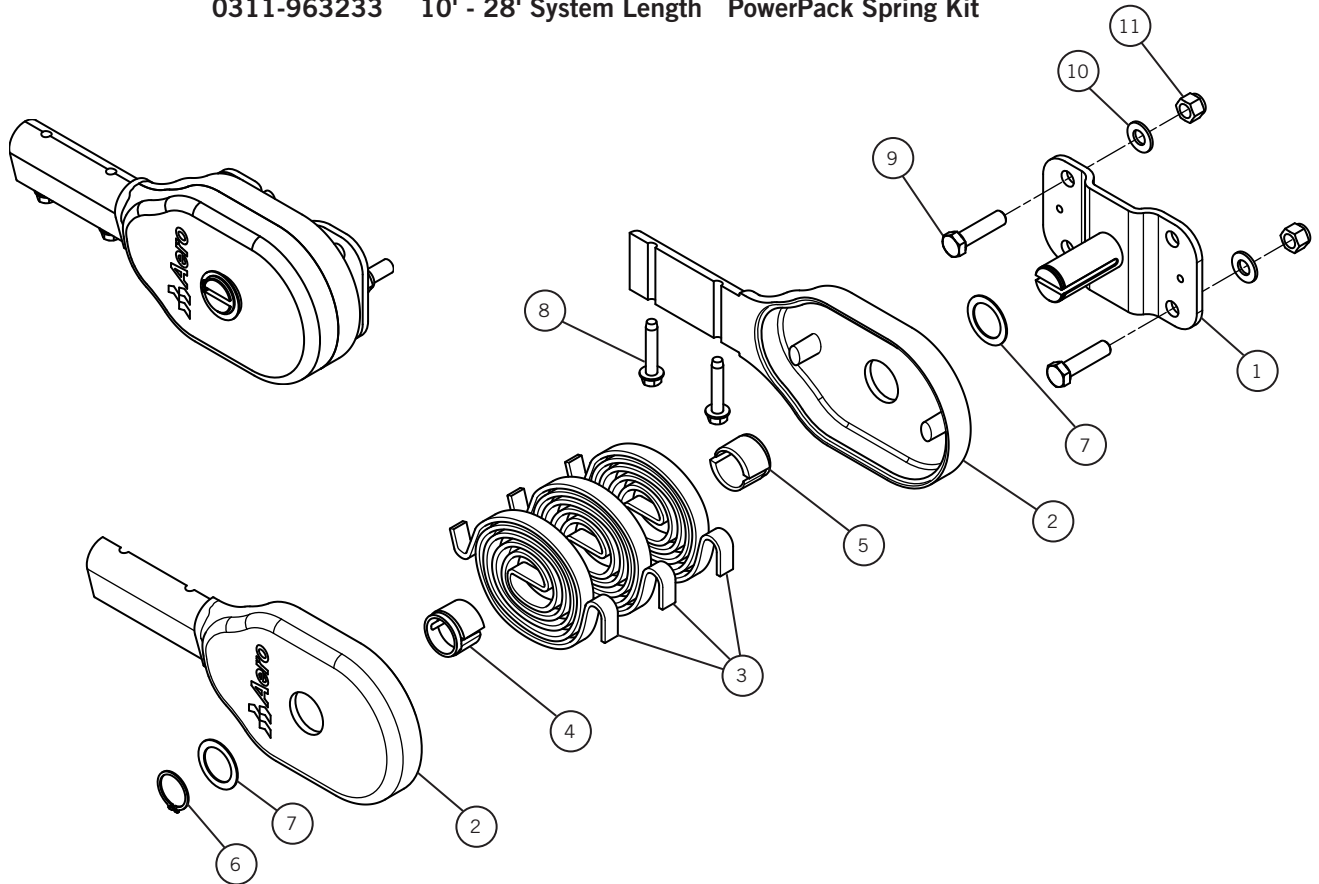
Part No.	Description	Qty
0311-960186	HARDWARE PACK E/C SERIES 3	
0810-650510	BOLT HWH 5/16 X 1	12
0815-660550	NUT HEX 5/16-18	12
0820-680510	WASHER FLAT 5/16	12

No.	Part No.	Description	Qty
1	0311-963076	SPRING BOX , INSERT ASSY	1
2	0311-880065	BRACKET, BOX SIDE	2
3	0810-650172	1/4-20 X 3/4 HHCS GRADE 8 NYLON PATCH	4
4	0311-880051	SPRING STOP - SERIES	4
5	0311-880063	FRONT MOUNTING PLATE, SHORT	1
6	0810-650842	BOLT FHSCS 5/16-18 x 2, NYLON PATCH	4
7	0311-861286	INSERT POWER PACK 'B'	2
8	0311-861285	INSERT POWER PACK 'A'	2
9	0715-619550	SPRING POWERPACK SPIRAL	6
10	0311-880054	SHAFT SERIES SPRING - 90 DEG	1
11	0820-680411	1.26 - USS FLAT WASHER	2
12	0311-860902	SNAP RING 1.25"	2
13	0311-880053	SERIES SPRING SHIM PLATE	1
14	0311-964022	PWR PK CASTING ASSY; #575	1
15	0920-590329	STICKER DRIVERS SIDE	1

PowerPack Spring Kit

Model 475/575 - (Aluminum Arms)

0311-963233 10' - 28' System Length PowerPack Spring Kit



No.	Part No.	Description
1	0311-860237	Mounting Bracket Spring
2	0311-964022	Powerpack Casting Kt
3	0715-619550	Spring Powerpack Spiral
4 & 5	0311-962085	Plastic Inserts Black & White

0311-960528 Hardware Kit

No.	Description	Qty
4	Plastic Insert "A", Black	2
5	Plastic Insert "B", White	2
6	Retaining Ring 1 1/4	2
7	1 1/4 Flat Washer	4
8	3/8-16 x 2 HWH Type F	4
9	1/2-13 x 2 Hex Bolt	4
10	1/2 Flat Washer	4
11	1/2-13 Nylon Hex Nut	4

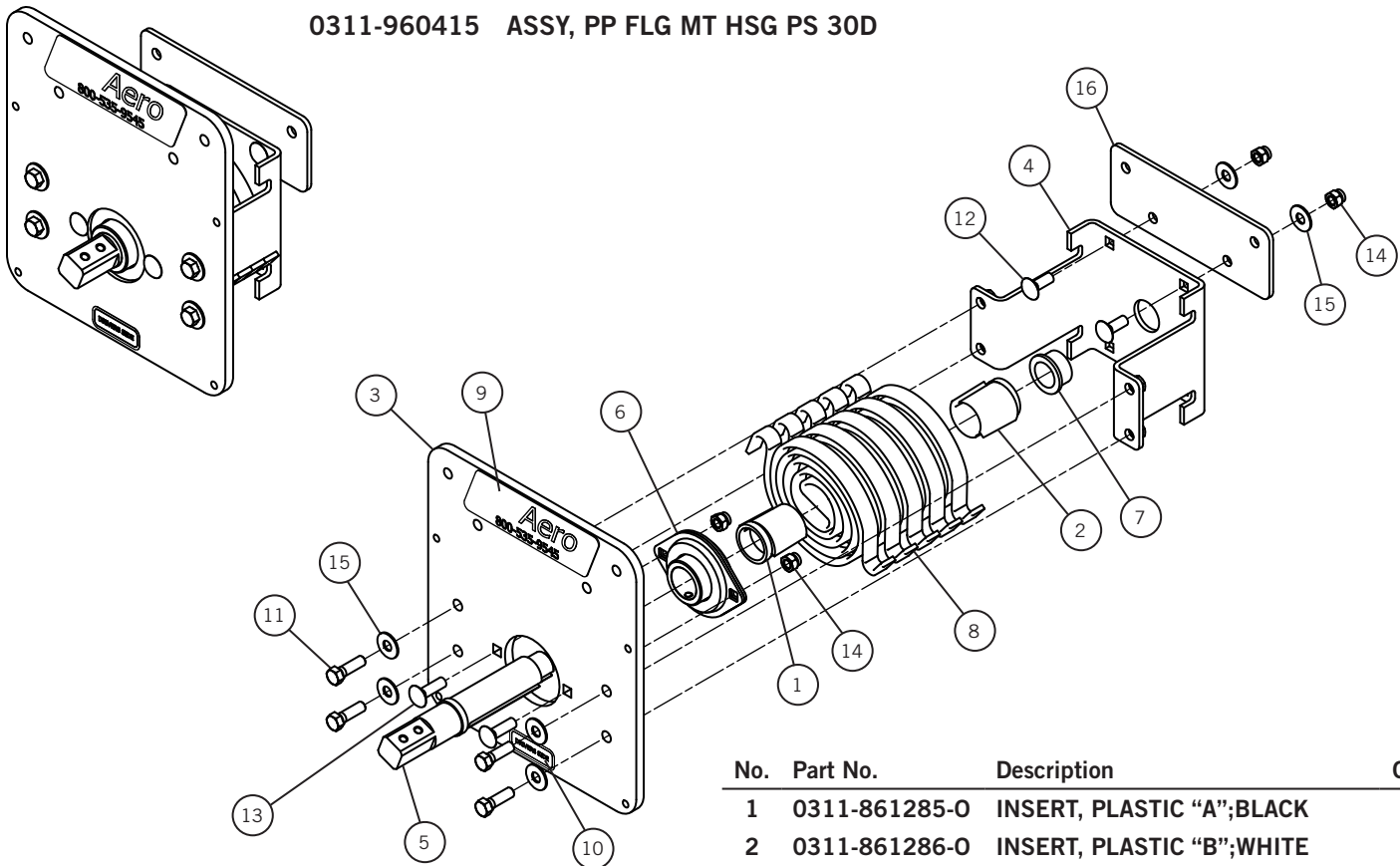
Flange Mounted Powerpack Spring

Model 485/585 - (Aluminum Arms)

0311-960420 22' - 40' System Length Spring Kit PP Housing (includes DS & PS)

0311-960414 ASSY, PP FLG MT HSG DS 30D

0311-960415 ASSY, PP FLG MT HSG PS 30D



0311-962576 PACK, U/M SPRING HDW (NOT Shown)

No.	Part No.	Description	Qty
17	0810-650542	3/8-16 x 1 1/4 Hex Bolt	8
18	0820-680620	3/8 Flat Washer	16
19	0815-660660	3/8-16 Nylon Hex Nut	8

0311-962577 PACK, CSTG/SHAFT HDW (NOT Shown)

No.	Part No.	Description	Qty
20	0810-650510	BOLT HWH, 5/16"X1" TYPE F	4
21	0835-691616	PIN SPRING 1/4 X 1-5/8 ZINC	4

No.	Part No.	Description	Qty
1	0311-861285-0	INSERT, PLASTIC "A";BLACK	1
2	0311-861286-0	INSERT, PLASTIC "B";WHITE	1
3	0311-862665	FRONT HOUSING MOUNT 30DEG	1
4	0311-962265	SPRING HOUSING WELDMNT	1
5	0311-862667	SPRING SHAFT 30 DEG FIXED	1
6	0710-602115	BEARING 1-1/4 BORE	1
7	0710-602903	BUSHING BRONZE FLANGE	1
8	0715-619550	SPRING, DBL SPIRAL; ECOAT	5
9	0920-590329	DECAL EASY COVER UNDERMNT	1
10	0920-590392	DECAL 2 x 7 AERO GEL	1
11	0810-670700	BOLT HHCS 3/8"-16 x 1"	4
12	0810-650655	BOLT CARR 3/8-16x1	2
13	0810-650565	BOLT CARR 3/8-16x1-1/4	2
14	0815-660660	NUT HEX. 3/8-16	4
15	0820-680620	WASHER FLAT 3/8"	2
16	0311-860254	PLATE, REAR MOUNTING	1

10 Spring Flange Mount

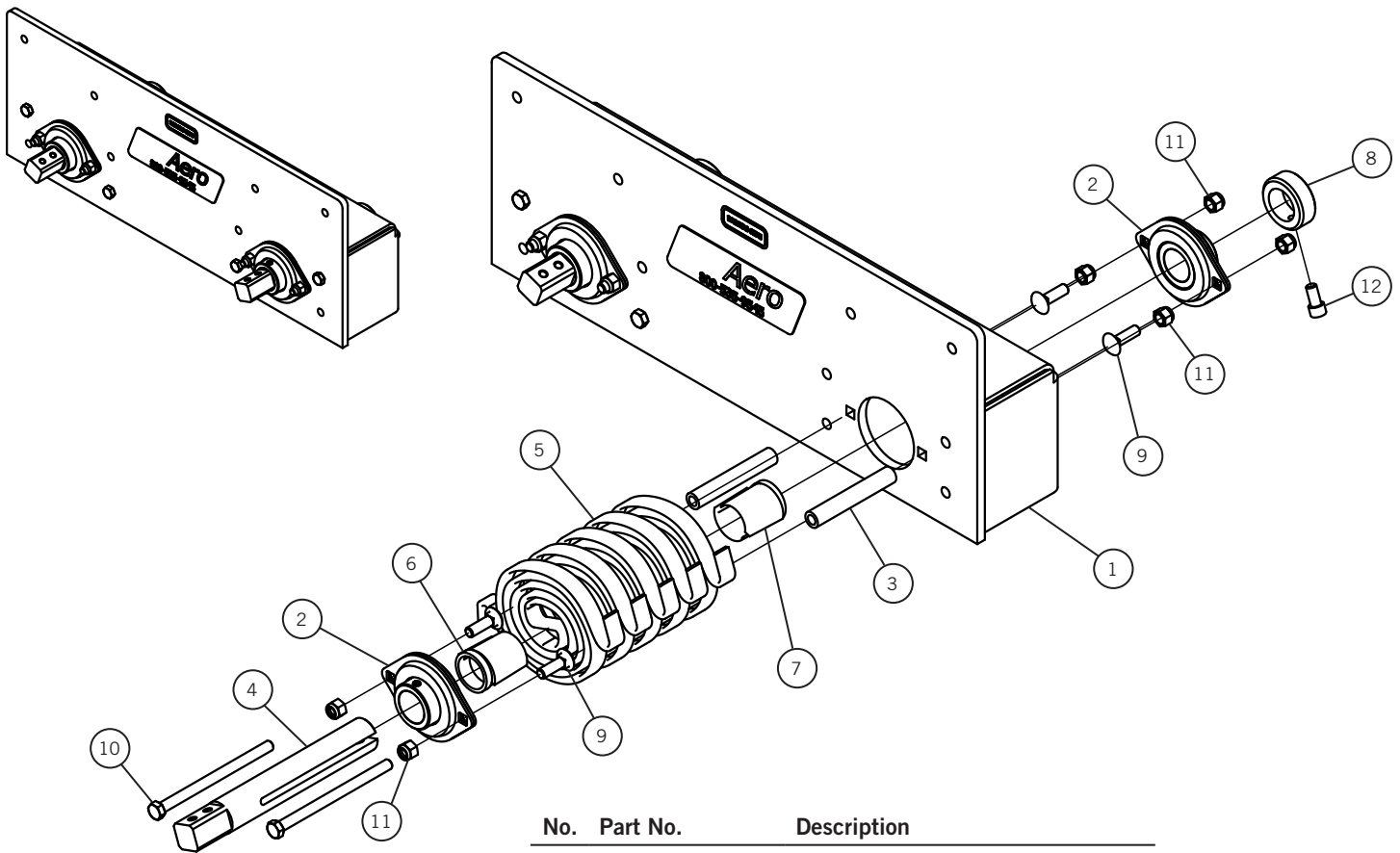
Model 595 - (Aluminum Arms)

0311-962270 40' - 48' System Length Tandem 10 Spring Kit

0311-962250 Tandem Flange 10 Spring DS

0311-962251 Tandem Flange 10 Spring PS

FOR HELPER ARM SEE NEXT PAGE

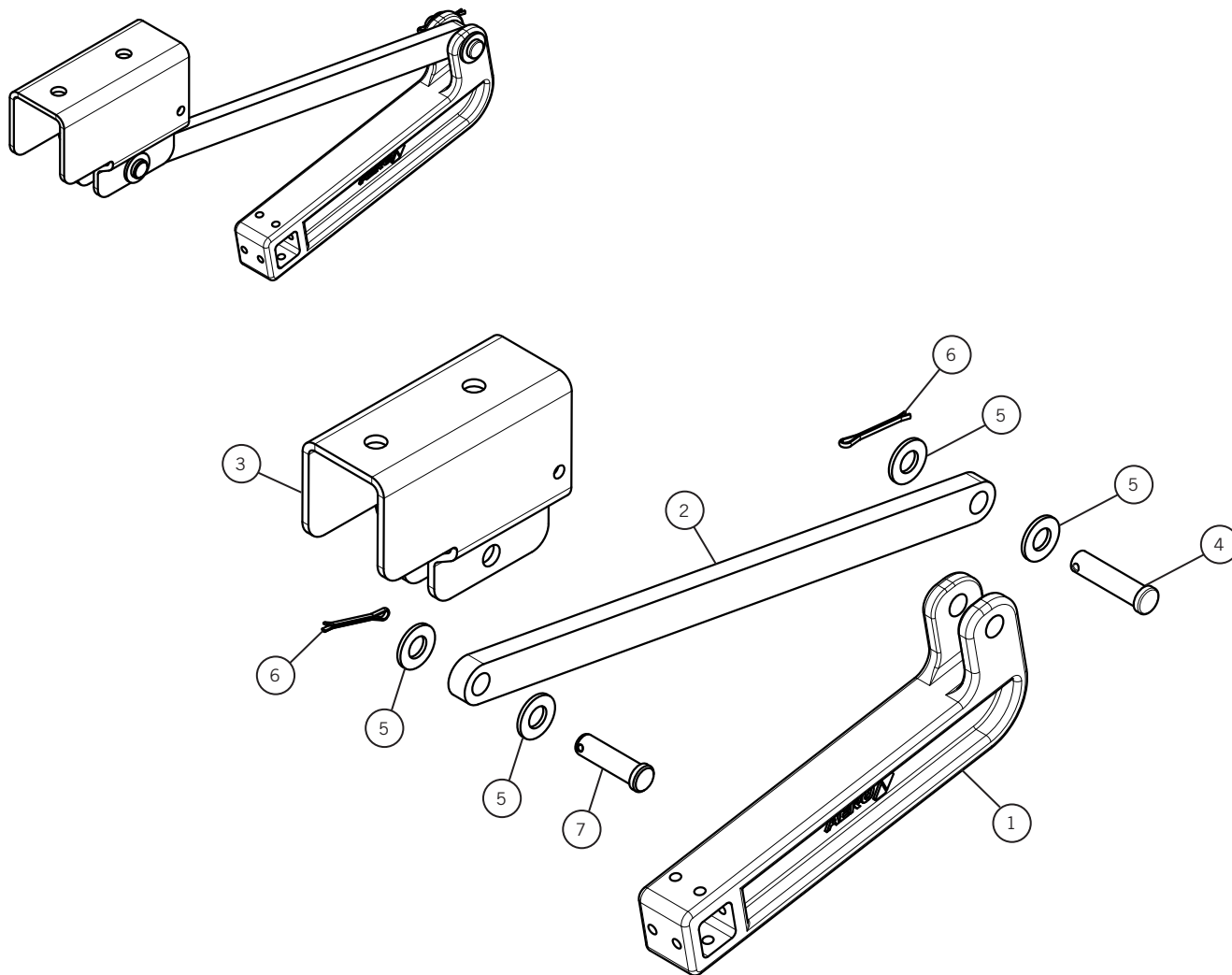


No.	Part No.	Description
1	0311-962190	Housing Tandem Weldment
2	0710-602115	Bearing 1 1/4" Bore
3	0311-860260	Spring Stop
4	0311-860261	Spring Shaft
5	0715-619550	Spring Powerpack Spiral
6	0311-861285-0	Insert Plastic "A" Black
7	0311-861286-0	Insert Plastic "B" White
8	0785-690335	Collar Shaft 1 1/4"
9	0810-650565	3/8-16 x 1 1/4 Carriage Bolt
10	0810-690700	3/8-16 x 5 1/2 Hex Bolt
11	0815-660660	3/8-16 Nylon Hex Nut
12	0825-617250	3/8-16 x 3/4 Socket Cap Screw

10 Spring Helper Linkage Assembly

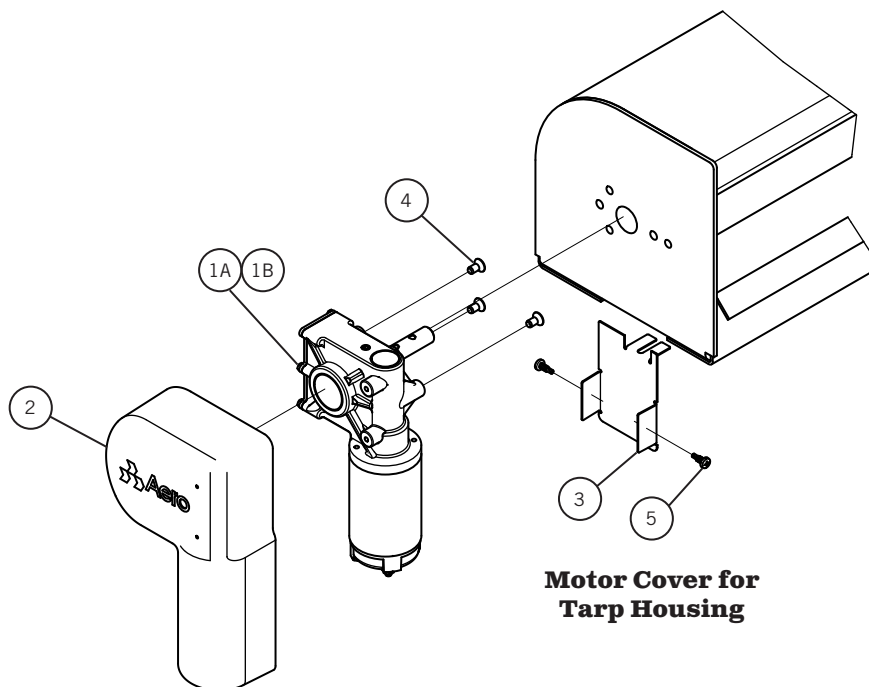
Model 595 - (Aluminum Arms)

0311-962285 Helper Arm Kit



No.	Part No.	Description	Qty
1	0311-863632	ARM, SPRING ASSIST	1
2	0311-863631	LINKAGE 15.50	1
3	0311-863630	BRACKET LINKAGE, LONG	1
4	0835-691616	CLEVIS PIN 1/2 x 2	1
5	0820-680810	WASHER FLAT 1/2	4
6	0835-691620	COTTER PIN 1/8 x 1 1/2 ZINC	2
7	0835-619641	0.5 x 1.75 - CLEVIS PIN	1

Motor Square Gearbox



**Motor Cover for
Tarp Housing**

No.	Part No.	Description
1A	0755-627005	MOTOR SQUARE GEARBOX 90:1
1B	0755-627000	MOTOR SQUARE GEARBOX 60:1
2	0311-860652	MOTOR COVER E/C GW30
3	0311-860285	Plate Filler
4	0825-650885	5/16-18 x 5/8 FHCS
5	0825-670835	#10 x 1 Selfdrilling Pan Head

NOTE: Motor cover screw is a M4 x 8mm and is not stocked

Tractor Electric Kit 50 Amp

0311-963318 Tractor Electric Kit 50 Amp

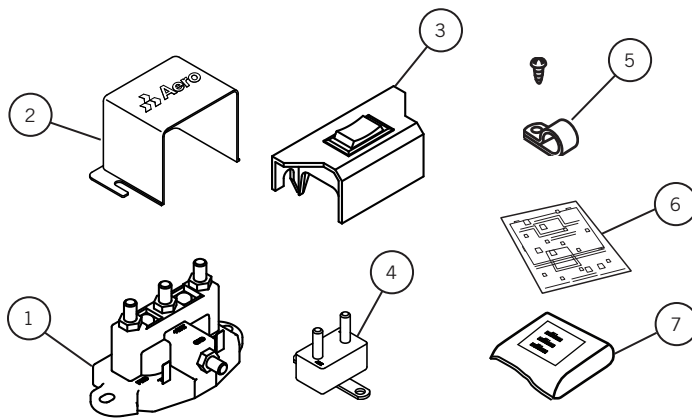
#6 Wire NOT included in Kits

Part No.	Description	Qty
0755-962131	RDCC Kit 50 Amp W/Rocker	1
0755-626588	Wire #14-3 Gray	20 ft
0930-031103	Installation EC Truck Wiring	1
0930-031101	Operation Easy Cover Electric	1

RDCC Kit 12 V 50 Amp Rocker

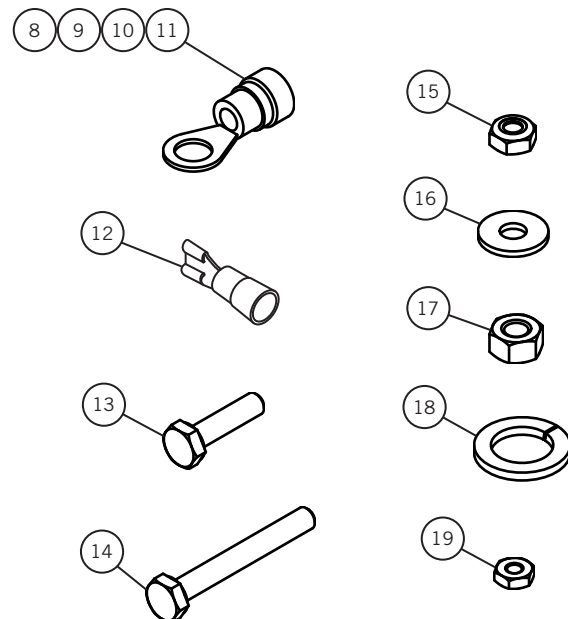
0755-962131 RDCC Kit 12 V 50 Amp Rocker

Wire NOT included in Kits



No.	Part No.	Description
1	0755-623560	Reversing DC Contactor
2	0755-623559	DC Contactor Cover
3	0755-962102	Switch Rocker for DC Contactor
4	0755-623504	Circuit Breaker 50 Amp
5	0850-603757	Clamp Metal Loom Plastic
6	0930-861642	Wiring diagram RDCC
7	0755-962111	RDCC Elec Hwd Kit-Rocker

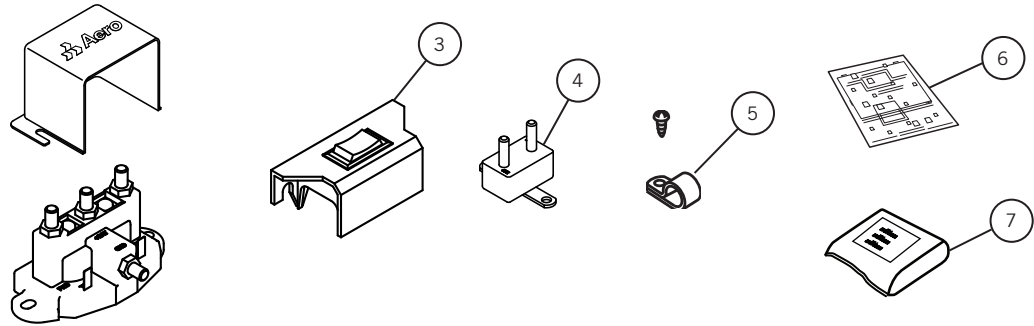
0755-962111 Hardware Kit		
No.	Description	Qty
8	Wire End #6 x 3/8 Ring	6
9	Wire End #6 x #10 Ring	4
10	Wire End #6 x 1/4 Ring	2
11	Wire End #14 x 3/8 Ring	1
12	Wire End #14 x 1/4 Push On	6
13	1/4-20 x 1 Hex Bolt	2
14	1/4-20 x 2 Hex Bolt	2
15	1/4-20 Nylon Hex Jam Nut	4
16	1/4 Flat Washer	8
17	5/16-24 Hex Nut	4
18	5/16 Lock Washer	4
19	#10-32 Nylon Hex Nut	4



RDCC Kit 24 V 20 Amp Rocker

0755-962117 RDCC Kit 24 V 20 Amp Rocker

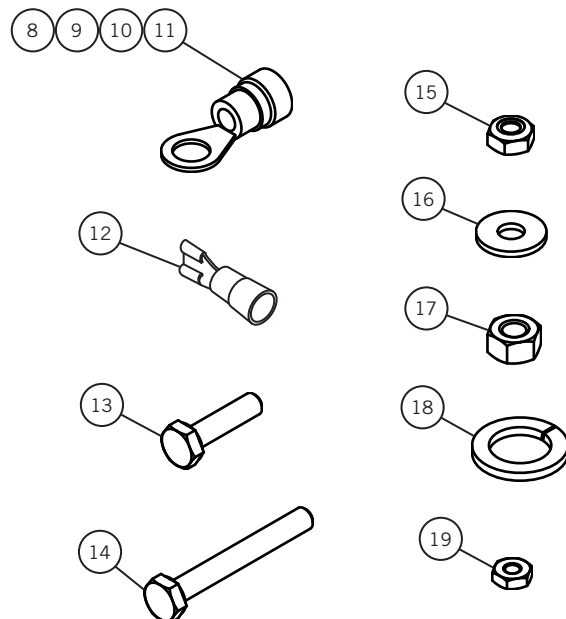
Wire NOT included in Kits



No.	Part No.	Description
1	0755-623570	Reversing DC Contactor 24 V
2	0755-623559	DC Contactor Cover
3	0755-962102	Switch Rocker for DC Contactor
4	0755-632515	Circuit Breaker 24 V 20 Amp
5	0850-603757	Clamp Metal Loom Plastic
6	0930-861642	Wiring diagram RDCC
7	0755-962111	RDCC Elec Hwd Kit-Rocker

0755-962111 Hardware Kit

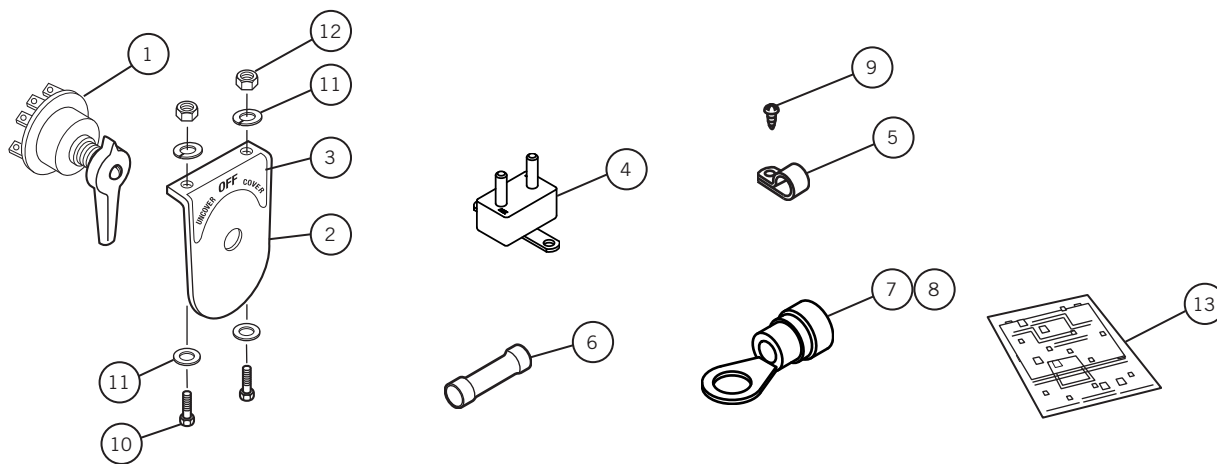
No.	Description	Qty
8	Wire End #6 x 3/8 Ring	6
9	Wire End #6 x #10 Ring	4
10	Wire End #6 x 1/4 Ring	2
11	Wire End #14 x 3/8 Ring	1
12	Wire End #14 x 1/4 Push On	6
13	1/4-20 x 1 Hex Bolt	2
14	1/4-20 x 2 Hex Bolt	2
15	1/4-20 Nylon Hex Jam Nut	4
16	1/4 Flat Washer	8
17	5/16-24 Hex Nut	4
18	5/16 Lock Washer	4
19	#10-32 Nylon Hex Nut	4



Rotary Switch Kit

0311-962531 Hardware Package Rotary Switch Kit

Wire NOT included in Kits

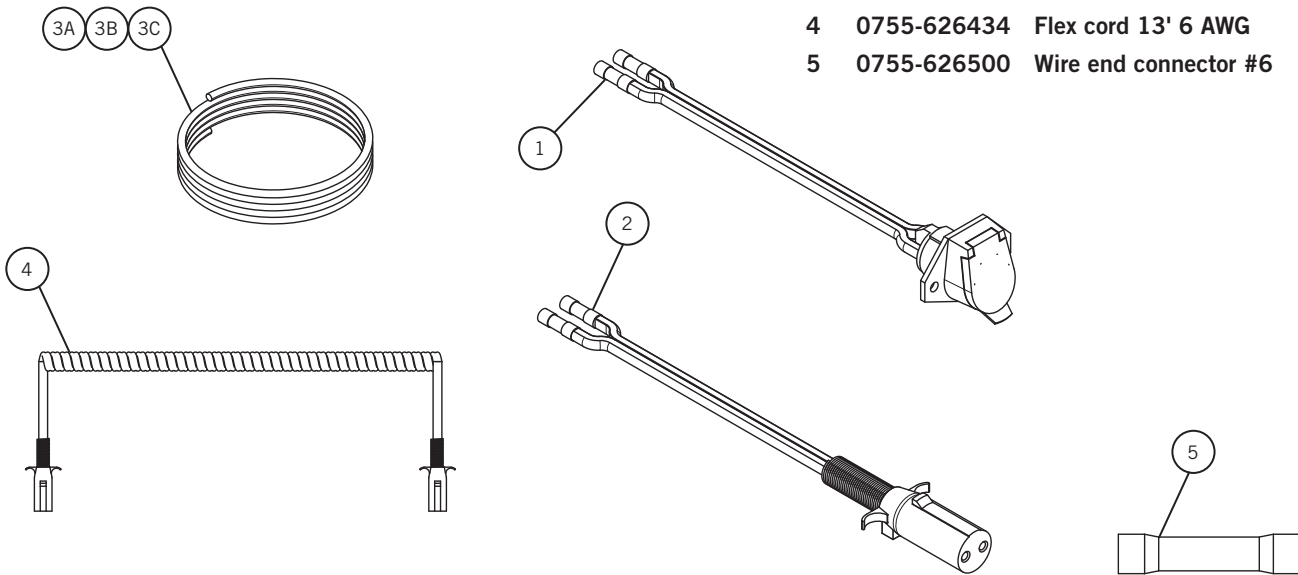


No.	Part No.	Description
1	0755-623456	Rotary Switch
2	1111-860430	Mounting Bracket
3	0920-590400	Decal Rotary Switch
4	0755-623501	Circuit Breaker 40 Amp V5
5	0850-603757	Clamp Metal Loom Plastic Coated
6	0755-626500	Wire Butt Connectors #6
7	0755-626507	Wire End #6 x #10 Ring
8	0755-626503	Wire End #6 x 3/8 Ring
9	0825-670551	1/4 x 3/4 Pan Head Phillips
10	0810-600004	1/4-20 x 3/4 Hex Bolt
11	0820-680410	1/4 Flat Washer
12	0815-660451	1/4-20 Nylon Hex Nut
13	0930-861612	Wiring Diagram

Lead and Pup Electrical

0755-960156 Lead and Pup Electrical 14'-19' KIT
 0755-960157 Lead and Pup Electrical 20'-24' KIT
 0755-960158 Lead and Pup Electrical 25'-28' KIT

No.	Part No.	Description	Qty
1	0755-626454	Receptacle w/cover	1
2	0755-626455	Plug	1
3A	0755-626565	4 AWG wire (14'-19')	25 ft
3B	0755-626565	4 AWG wire (20'-24')	30 ft
3C	0755-626565	4 AWG wire (25'-28')	35 ft
4	0755-626434	Flex cord 13' 6 AWG	1
5	0755-626500	Wire end connector #6	4



Tractor Electric Kit 50 Amp

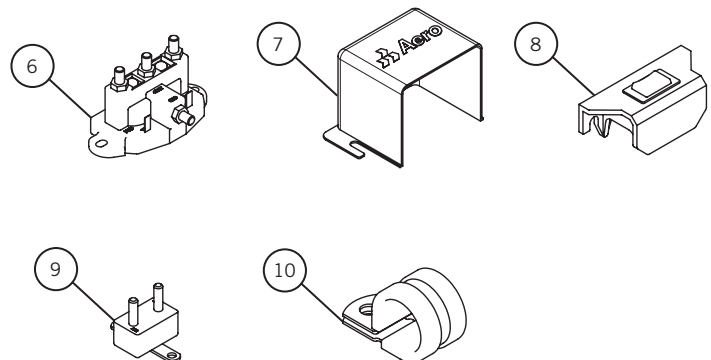
0311-963318 Tractor Electric Kit 50 Amp

Part No.	Description	Qty
0755-962131	RDCC Kit 50 Amp W/Rocker	1
0755-626588	Wire #14-3 Gray	20 ft
0930-031103	Installation EC Truck Wiring	1
0930-031101	Operation Easy Cover Electric	1

RDCC Kit 12 V 50 Amp Rocker

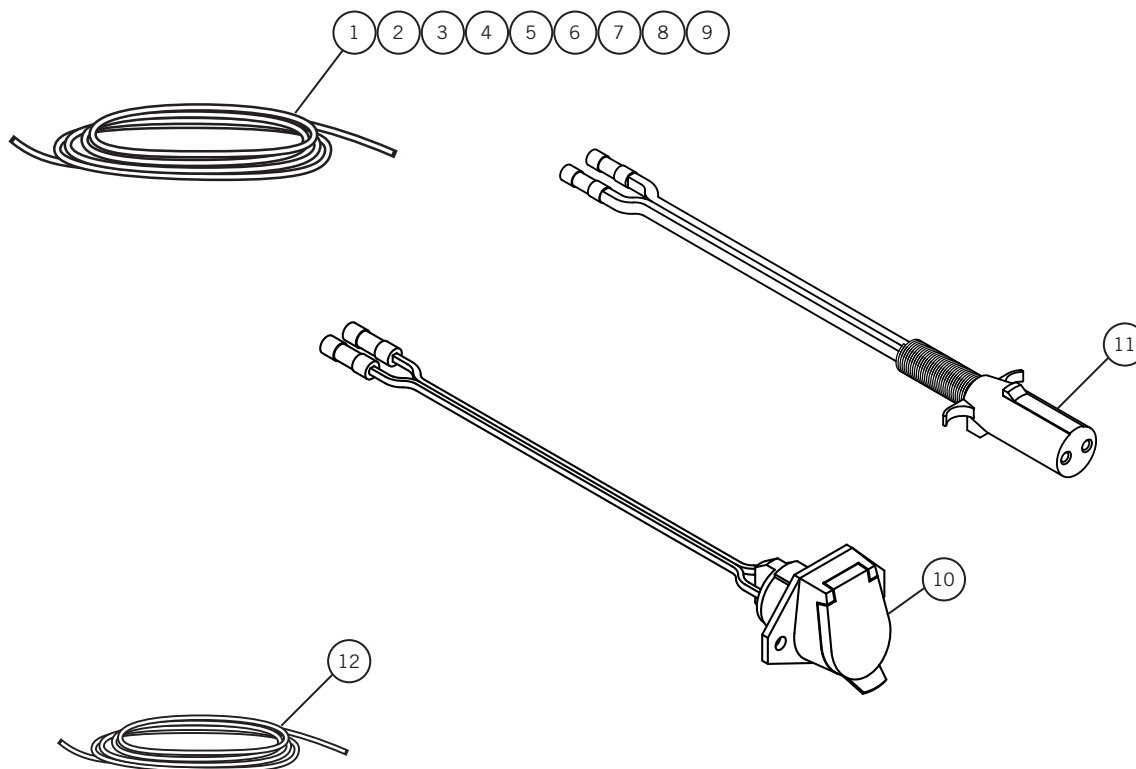
0755-962131 RDCC Kit 12 V 50 Amp Rocker

No.	Part No.	Description
6	0755-623560	Reversing DC Contactor
7	0755-623559	DC Contactor Cover
8	0755-962102	Switch Rocker for DC Contactor
9	0755-623504	Circuit Breaker 50 Amp
10	0850-603757	Clamp Metal Loom Plastic
11	0930-861642	Wiring diagram RDCC
12	0755-962111	RDCC Elec Hwd Kit-Rocker



Note: Items 11 & 12 are not shown.

Wire and Plugs

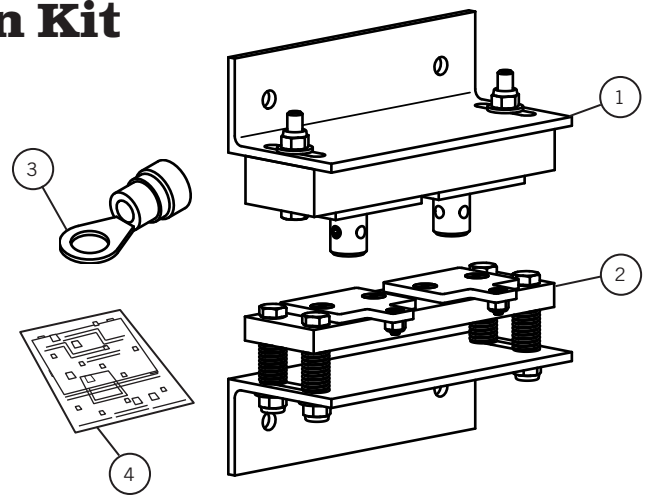


No.	Part No.	Description
1	0755-626535	Wire #6 Duplex - 50 Foot
2	0755-626536	Wire #6 Duplex - 60 Foot
3	0755-626537	Wire #6 Duplex - 70 Foot
4	0755-626538	Wire #6 Duplex - 80 Foot
5	0755-626539	Wire #6 Duplex - 90 Foot
6	0755-626530	Wire #6 Duplex - 100 Foot
7	0755-626541	Wire #6 Duplex - 110 Foot
8	0755-626542	Wire #6 Duplex - 120 Foot
9	0755-626543	Wire #6 Duplex - 130 Foot
10	0755-626454	Plug Quick Disconnect Male
11	0755-626455	Plug Quick Disconnect Female
12	0755-626588	Wire #14 Gray

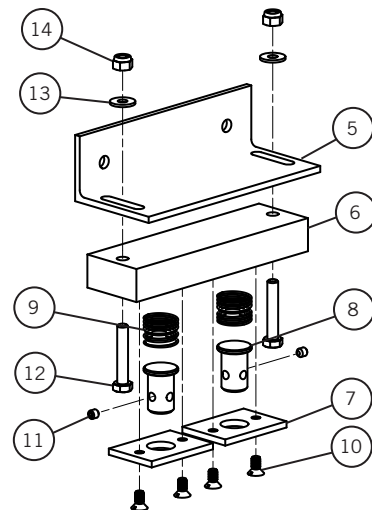
Wireless Connection Kit

0755-960150 Wireless Connection Kit

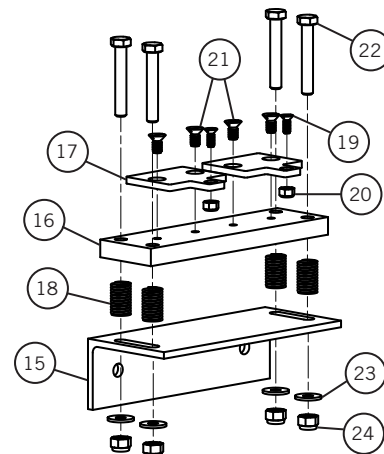
No.	Part No.	Description
1	0755-960152	Plunger Assembly
2	0755-960151	Striker Plate Assembly
3	0755-626504	Wire End #6 x 1/4 Ring
4	0930-861827	Installation Instruction Wireless



No.	Part No.	Description
	0755-960152	Plunger Assembly
5	0755-860126	Mounting Angle
6	0755-860122	Insulator Top Electrical
7	0755-860123	Retainer Plate Electrical
8	0755-860124	Plunger Electrical Connect
9	0715-619415	Spring Electrical Connect
10	0825-650503	1/4-20 x 1/2 Slotted Flat Head
11	0825-670575	1/4-20 x 1/4 Socket Set Screw
12	0810-650103	5/16-18 x 1 3/4 Hex Bolt
13	0820-680510	5/16 Flat Washer
14	0815-660550	5/16-18 Nylon Hex Nut



No.	Part No.	Description
	0755-960151	Striker Plate Assembly
15	0755-860126	Mounting Angle
16	0755-860120	Insulator Bottom Electrical
17	0755-860121	Striker Plate Electrical
18	0715-619802	Spring .600 O.D. x 1
19	0825-650502	#10-24 x 1/2 Slotted Flat Head
20	0815-660121	#10-24 Nylon Hex Nut
21	0825-650503	1/4-20 x 1/2 Slotted Flat Head
22	0810-650523	5/16-18 x 2 Hex Bolt
23	0820-680510	5/16 Flat Washer
24	0815-660550	5/16-18 Nylon Hex Nut

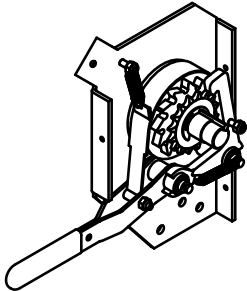


Crank Assemblies

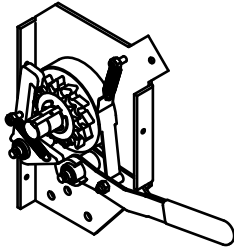


Crank Direction

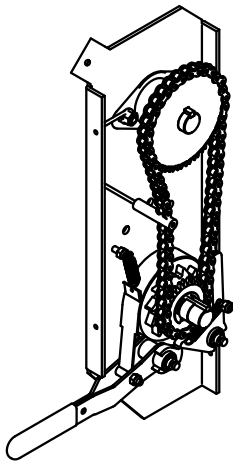
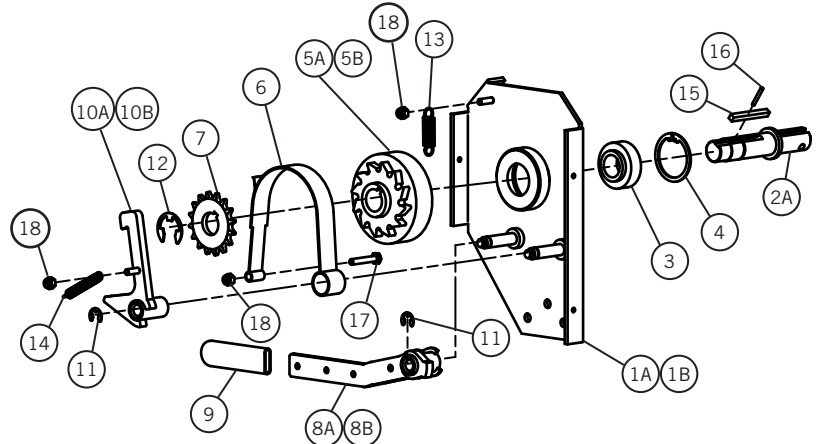
Standard Reverse



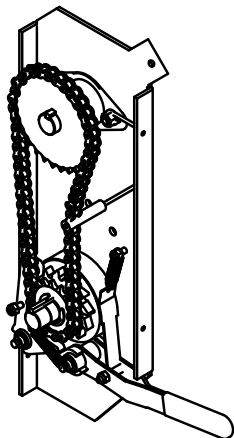
**Crank Assembly
Model 250
0311-961804**



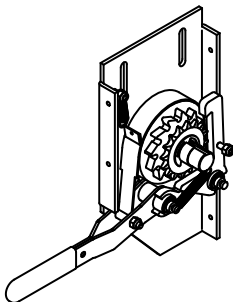
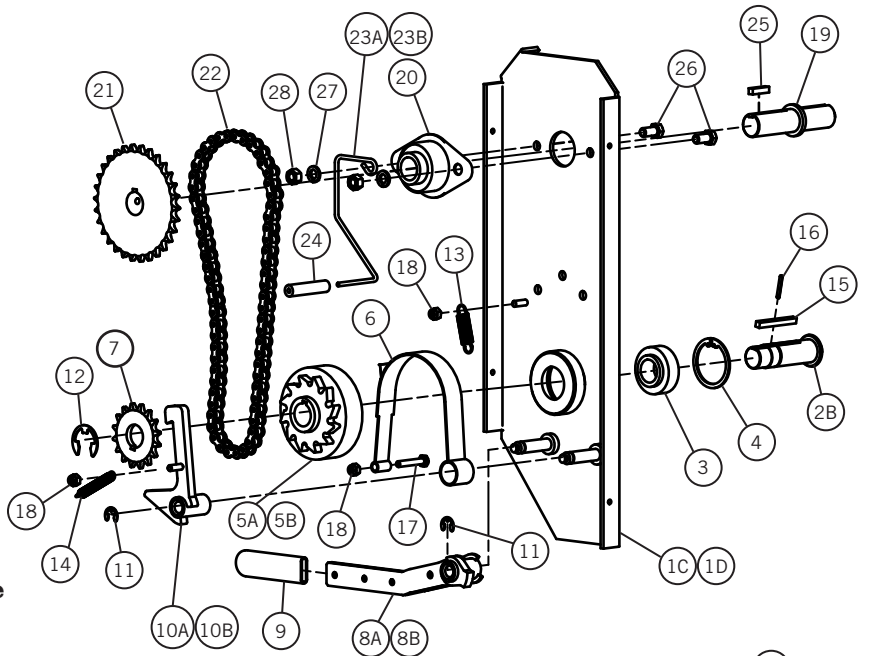
**Crank Assembly
Model 250 Reverse
0311-961805**



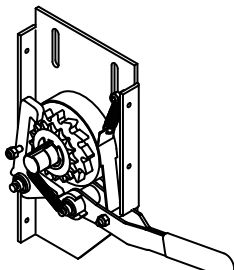
**Crank Assembly
Model 350
0311-961806**



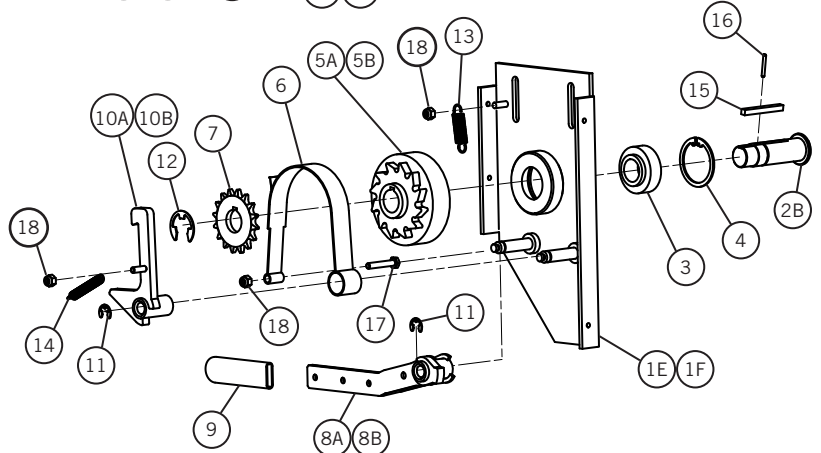
**Crank Assembly
Model 350 Reverse
0311-961807**



**Crank Assembly
Model 450
0311-961214**



**Crank Assembly
Model 450 Reverse
0311-961356**



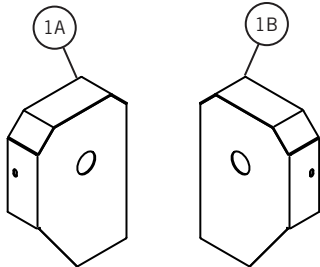
Crank Assemblies

- 0311-961804 Crank Assembly #250
- 0311-961805 Crank Assembly Reverse #250
- 0311-961806 Crank Assembly #350
- 0311-961807 Crank Assembly Reverse #350
- 0311-961214 Crank Assembly #450
- 0311-961356 Crank Assembly Reverse #450

No.	Part No.	Description	No.	Part No.	Description
1A	0311-960706	Crank Base #200	11	0840-618511	Snap Ring 1/2" External
1B	0311-960709	Crank Base Reverse #200	12	0840-618510	Snap Ring 1" External
1C	0311-960707	Crank Base #300	13	0715-619800	Spring Brake Band #200/#400
1D	0311-960710	Crank Base Reverse #300	14	0715-619602	Spring Pawl #200/#400
1E	0311-960708	Crank Base #400	15	0840-618513	Key Stock 6mm x 2 1/4
1F	0311-960911	Crank Base Reverse #400	16	0835-691613	Spring Pin 1/8 x 1
2A	0311-860733	Shaft Crank E/C #200	17	0810-650472	1/4-20 x 1 1/2 Hex Bolt
2B	0311-860732	Shaft Crank #300/#400	18	0815-660451	1/4-20 Nylon Hex Nut
3	0710-602190	Bearing 1" Bore Inner	19	0311-860724	Shaft Crank E/C Upper
4	0840-618523	Snap Ring 2" Internal	20	0710-602155	Bearing Flange 1" Bore
5A	0311-860744	Ratchet/Hub One Piece	21	0750-619594	Sprocket 40B30 1" Bore
5B	0311-860745	Ratchet/Hub One Piece Reverse	22	0720-603554	Chain Roller #40 32"
6	0311-960739	Brake Band Assy #200/#475	23A	0715-619302	Spring Idler E/C #300
7	0750-619592	Sprocket 40A16 1" Bore	23B	0311-860175	Spring Idler E/C #300 Reverse
8A	0311-960736	Brake Handle Assembly	24	0311-860444	Bushing Chain Idler #300
8B	0311-962132	Brake Handle Assy Reverse	25	0840-618518	Key 1/4 x 1
9	0765-618830	Brake Handle Rubber Grip	26	0810-670682	3/8-16 x 3/4 Hex Bolt
10A	0311-960728	Pawl Assy #200/#400	27	0820-680610	3/8 Lock Washer
10B	0311-962128	Pawl Assy #200/#400 Reverse	28	0815-660640	3/8-16 Hex Nut

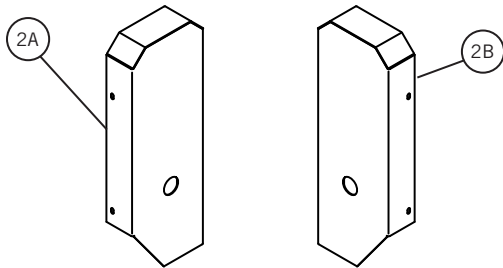
- NOTE:**
- *A refers to standard part**
 - *B refers to reverse part**
 - *C refers to standard part**
 - *D refers to reverse part**
 - *E refers to standard part**
 - *F refers to reverse part**

Crank Chain Covers



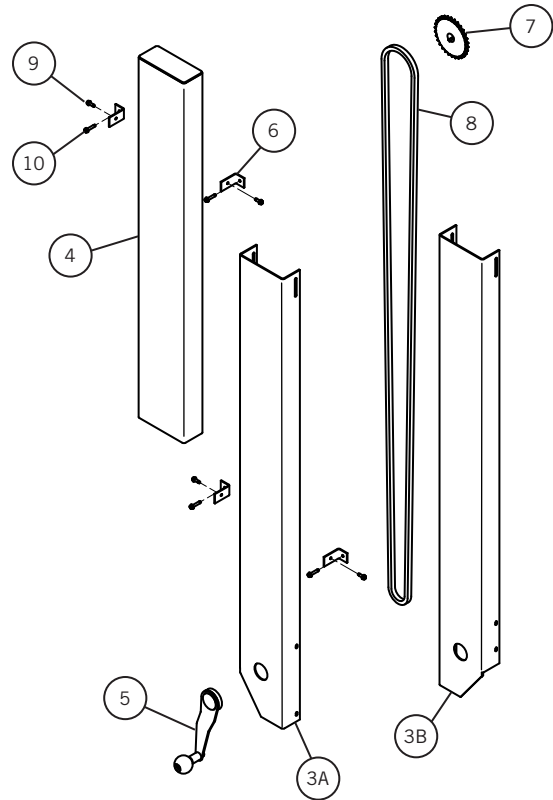
Model 200/250

No.	Part No.	Description
1A	0311-960447	Crank Cover #250 Alum
1B	0311-960448	Crank Cover Reverse #250 Alum



Model 300/350

No.	Part No.	Description
2A	0311-960848	Crank Cover #350 Alum
2B	0311-960451	Crank Cover Reverse #350 Alum



Model 400/450

No.	Part No.	Description
3A	0311-961816	Chain Cover Lower #450/#475 Alum
3B	0311-961817	Chain Cover Lower Reverse #450/#475 Alum
4	0311-961818	Chain Cover Upper #450/#475 Alum
5	0311-960309	Crank Handle #200-#400
6	0311-860599	Chain Cover Mounting Bracket
7	0750-619594	Sprocket 40B30 1" Bore
8	0720-603557	Chain Roller #40 168"
9	0825-670459	#14 x 1/2 HWH Type F
10	0825-670450	#14 x 1 HWH Type F

Claw® V1

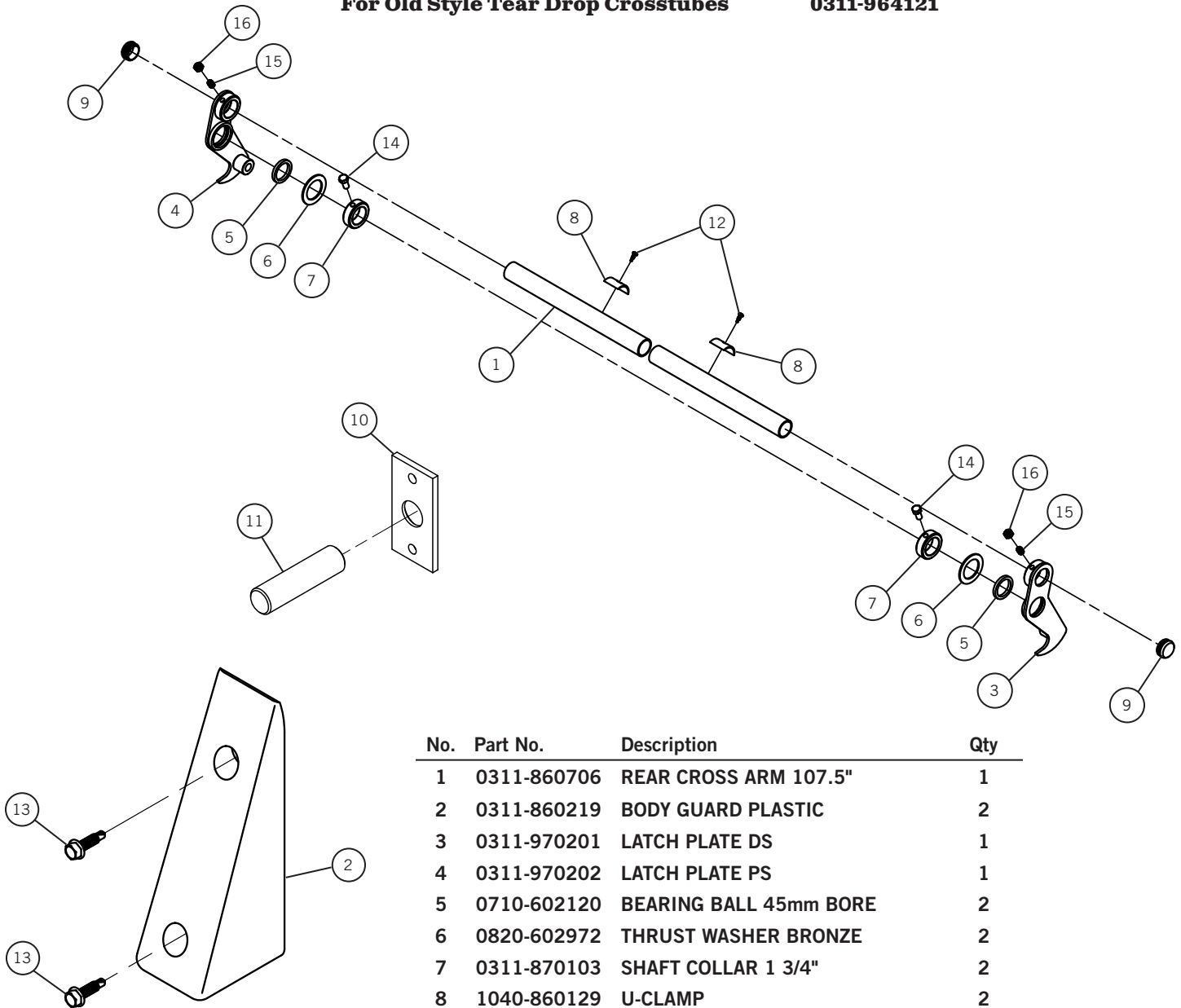
Claw Kit Number

For Round Crosstubes

0311-964122

For Old Style Tear Drop Crosstubes

0311-964121



No.	Part No.	Description	Qty
1	0311-860706	REAR CROSS ARM 107.5"	1
2	0311-860219	BODY GUARD PLASTIC	2
3	0311-970201	LATCH PLATE DS	1
4	0311-970202	LATCH PLATE PS	1
5	0710-602120	BEARING BALL 45mm BORE	2
6	0820-602972	THRUST WASHER BRONZE	2
7	0311-870103	SHAFT COLLAR 1 3/4"	2
8	1040-860129	U-CLAMP	2
9	0311-862135	PLUG END 1 3/4" DIAMETER TUBE	2
10	0311-870104	LATCH PIN PLATE	2
11	0311-870105	LATCH PIN	2
12	0825-670835	#14 x 3/4 SELF DRILLING PAN	2
13	0825-670345	SCREW #14 X 1-1/2" HWH TEK	4
14	0810-650825	1/2-13 x 1 Hex Bolt GR8	2
15	0825-670566	1/2-13 X 3/4 SET SCREW	2
16	0815-660531	1/2-13 NYLON HEX JAM NUT	2



Claw® V2

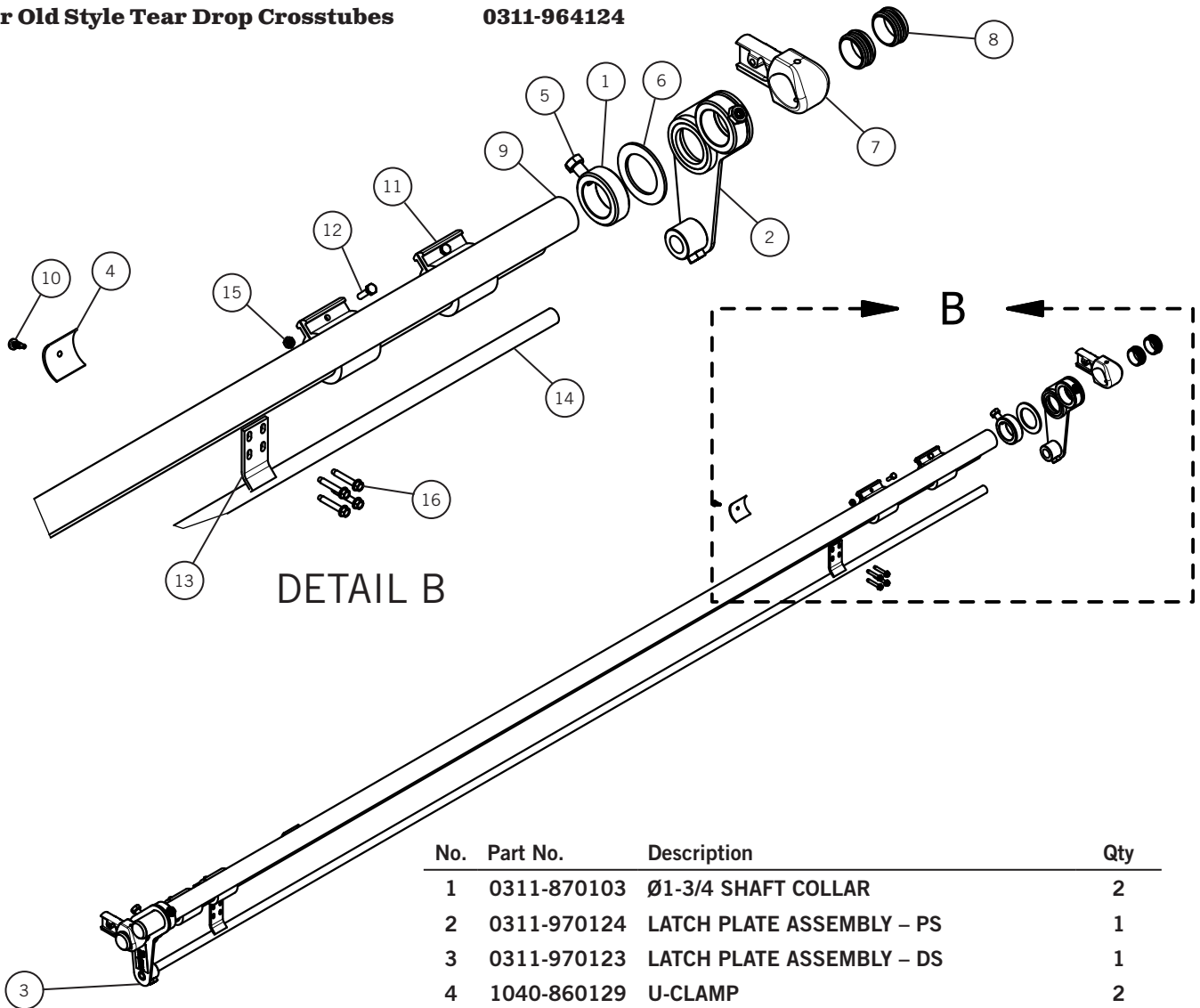
Claw Kit Number

For Round Crosstubes

0311-964123

For Old Style Tear Drop Crosstubes

0311-964124

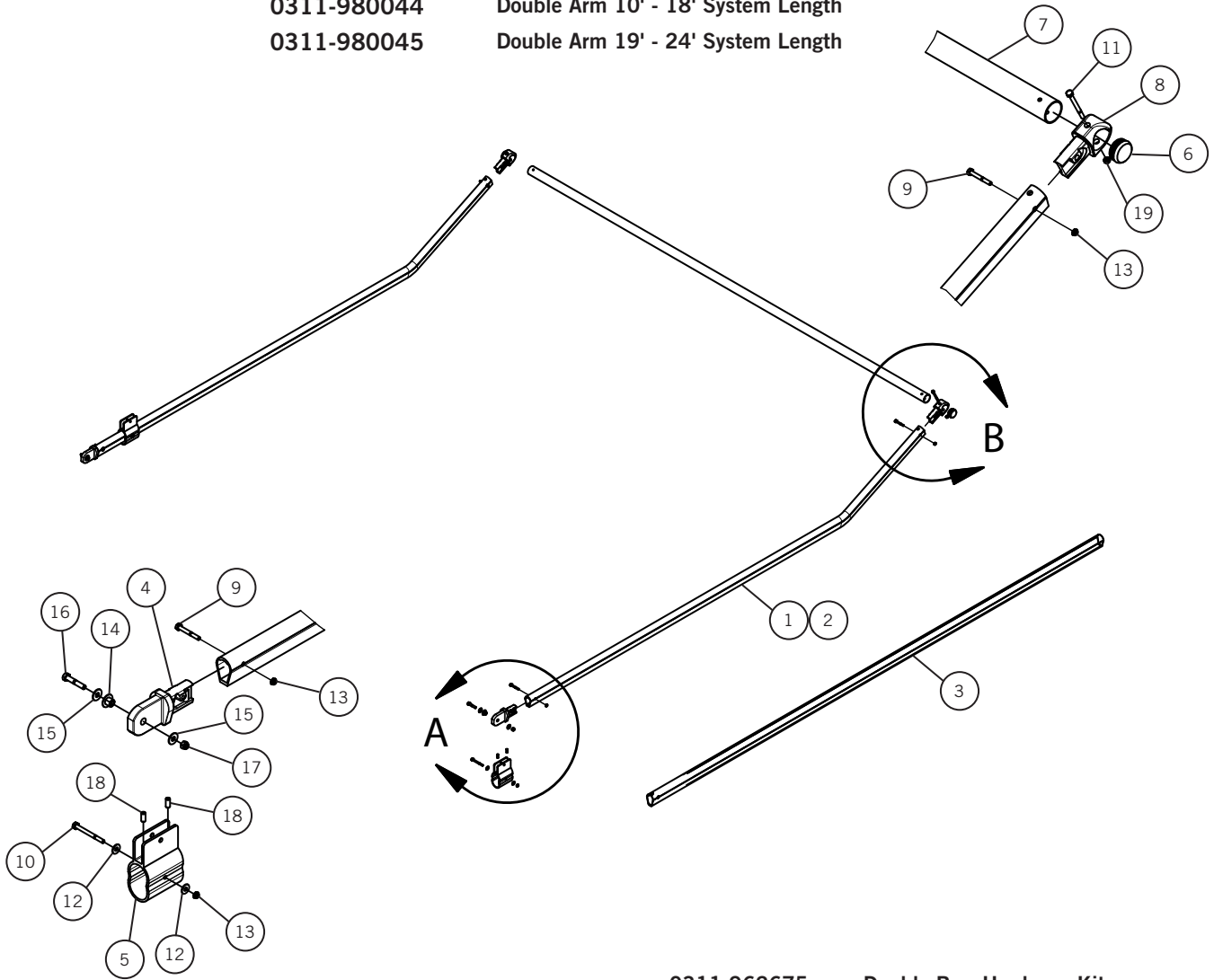


No.	Part No.	Description	Qty
1	0311-870103	Ø1-3/4 SHAFT COLLAR	2
2	0311-970124	LATCH PLATE ASSEMBLY – PS	1
3	0311-970123	LATCH PLATE ASSEMBLY – DS	1
4	1040-860129	U-CLAMP	2
5	0810-650825	1/2-13 x 1" HHCS GR8 YEL ZINC	2
6	0820-602972	BRONZE THRUST WASHER	2
7	0311-861137	ARM END MODIFICATION	2
8	0311-862135	MOCAP PLASTIC PLUG	4
9	0311-862191	CROSS BAR ALUMINUM	2
10	0825-670835	SCREW #14 x 3/4 PPH	2
11	0311-862275	RUBBER BUMPER	4
12	0810-650501	1/4-20 x 1.00 Lg HHCS Gr5	4
13	0311-870118	TUBE CATCH	2
14	0311-870119	CROSS ARM LOCK TUBE	1
15	0815-660456	1/4-20 NYLOCK HEX JAM NUT	4
16	0825-670345	1/4-20 UNC x 1.5 - HWH TAPPING SCREW	4



Double Arm

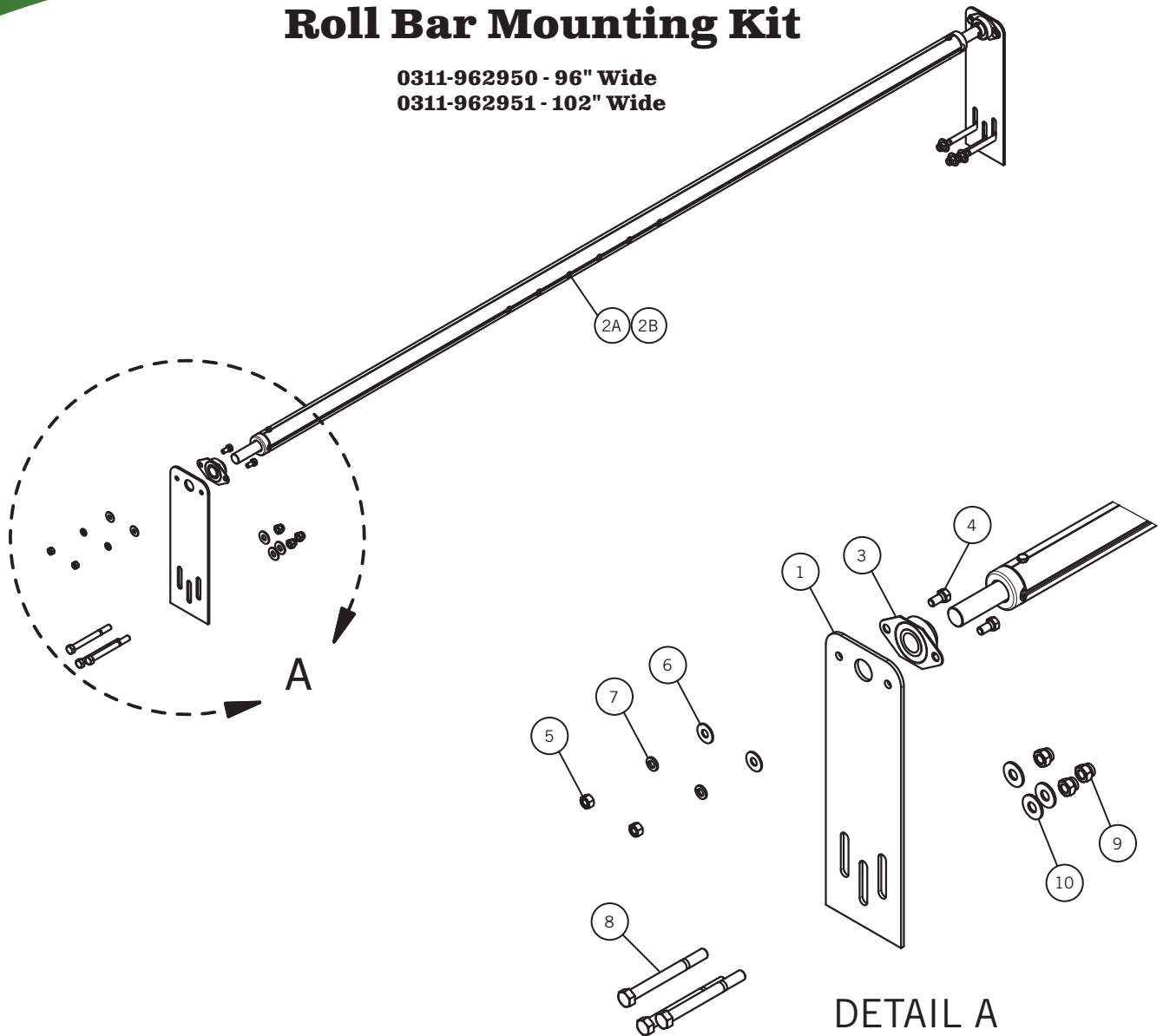
- 0311-980042-ST Straight Double Arm 10' - 18' System Length
- 0311-980044 Double Arm 10' - 18' System Length
- 0311-980045 Double Arm 19' - 24' System Length



No.	Part No.	Description	No.	Part No.	Description
1	0311-861832-P	SWING ARM; UPPER DOUBLE 10'-18'	9	0810-670705	3/8-16 UNC X 2 - BOLT HHCS
2	0311-861809	SWING ARM; UPPER DOUBLE 19'-24'	10	0810-650476	1/4-20 UNC - 2.75 - BOLT HHCS
3	0311-880024	STRAIGHT DOUBLE ARM 10-18	11	0810-650112	3/8-16 UNC - 3 - BOLT HHCS
4	0311-880048	ARM END PIVOT CSTG. STD.	12	0820-680410	1/4 - USS FLAT WASHER
5	0311-880046	ADJUSTABLE PIVOT MACH.	13	0815-660456	1/4-20 THIN NYLON LOCK NUT
6	0311-862135	MOCAP PLASTIC PLUG	14	0845-691232	BRONZE BUSHING
7	0311-860706	CROSS ARMREAR 14 GA GALV	15	0820-680510	5/16 - USS FLAT WASHER
8	0311-861151	ARM END, COMPRESSION CUT	16	0810-650103	5/16-18 UNC - 1.75 - BOLT HHCS
			17	0815-660550	5/16-18 NYLON LOCK NUT
			18	0825-670643	5/16-18 X .75 LG SET SCREW
			19	0815-660660	3/8-16 HEX NUT

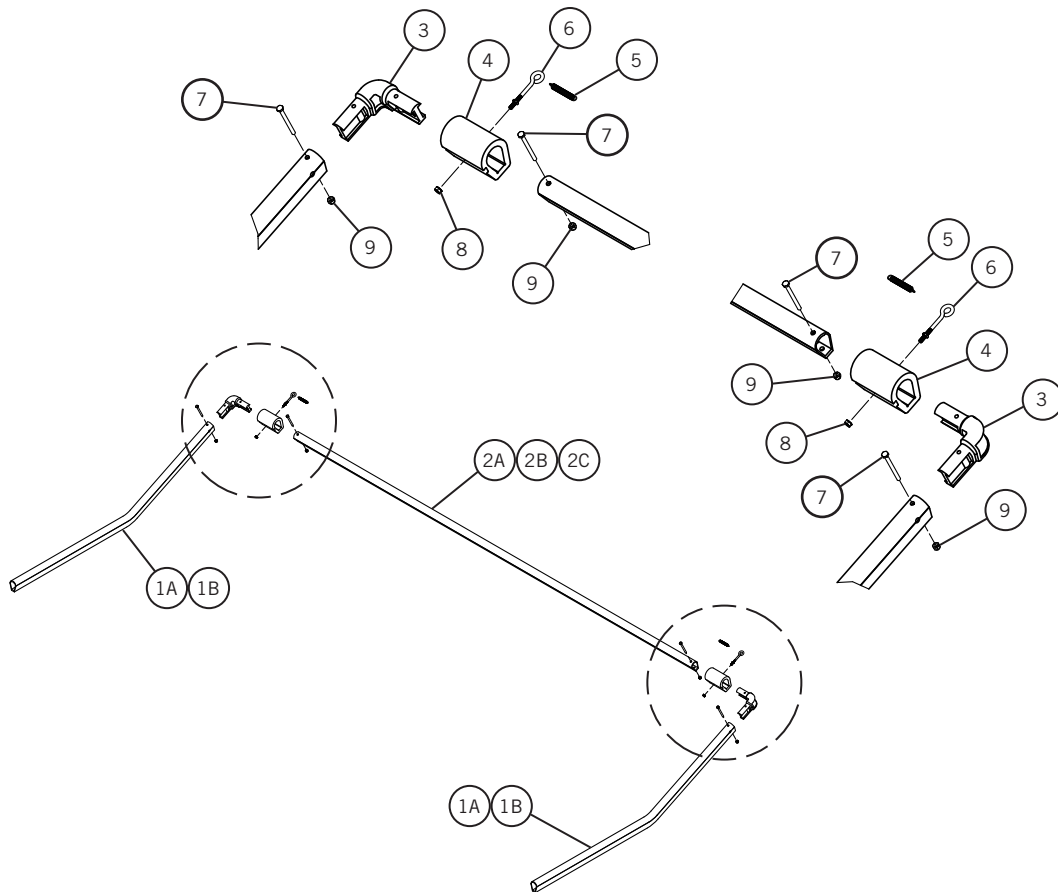
Roll Bar Mounting Kit

0311-962950 - 96" Wide
0311-962951 - 102" Wide



No.	Part No.	Description	Qty
1	0311-862950	BRACKET, ROLL BAR MOUNTING	2
2A	0311-961303	ROLL UP BAR ASSY - 96"	1
2B	0311-961305	ROLL UP BAR ASSY - 102"	1
3	0710-602155	BEARING TWO BOLT FLANGE	2
4	0810-670682	3/8-16 UNC - 0.75 - BOLT HHCS	4
5	0815-660640	3/8-16 HEX FINISH NUT	4
6	0820-680620	WASHER FLAT 3/8"	4
7	0820-680610	3/8 - SPLIT LOCK WASHER	4
8	0810-650544	1/2-13 UNC - 5 - BOLT HHCS	6
9	0815-660855	1/2-13 NYLON LOCK NUT	6
10	0820-680810	1/2 - USS FLAT WASHER	6

Legacy Teardrop Cross Arm

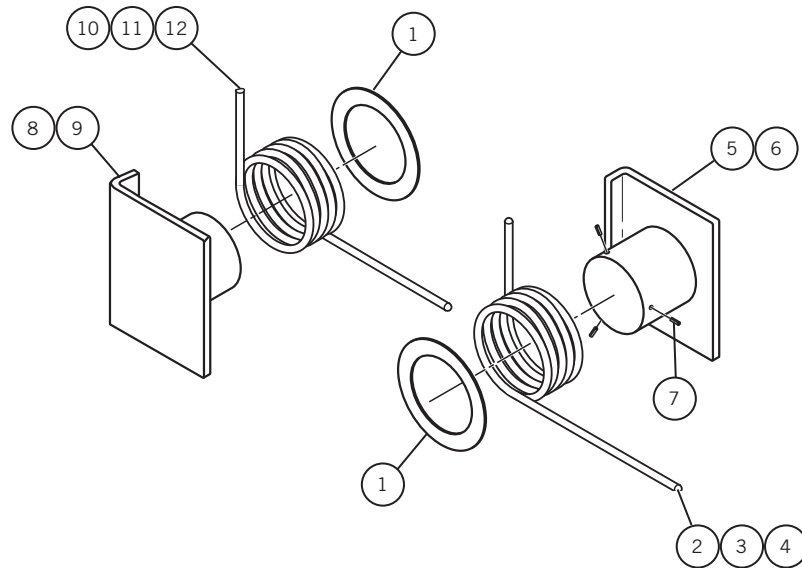


No.	Part No.	Description
1A	0311-861824	Swing Arm Bent
1B	0311-861812	Swing Arm Straight
2A	0311-860530	Cross Arm Rear Aluminum 98"
2B	0311-860531	Cross Arm Rear Aluminum 104"
2C	0311-860532	Cross Arm Rear Aluminum 108"

0311-962222 - PARTS KIT TEARDROP CROSS ARM			
No.	Part No.	Description	Qty
3	0311-863014	Swing Arm Upper Corner Casting	2
4	0311-862272	Arm Guard Rubber Bumper	2
	0311-962086	PACK,TEARDROP CRS ARM	1

0311-962086 - PACK,TEARDROP CRS ARM			
No.	Part No.	Description	Qty
5	0715-619601	Spring Tension 4"	2
6	0810-650911	1/4-20 x 2 1/2 Eye Bolt	2
7	0810-650486	1/4-20 x 3 Hex Bolt GR8	4
8	0815-660450	1/4-20 Keps Nut	2
9	0815-660451	1/4-20 Nylon Hex Nut	4

Legacy Sidemount Spring Assembly



No.	Part No.	Description	
1	0311-860593	Spring Sidemount Retainer Ring	
2	0715-619701	Spring Sidemount 10'-13' D.S.	Not Available
3	0715-619567	Spring Sidemount 14'-21' D.S.	Not Available
4	0715-619568	Spring Sidemount 22'-28' D.S.	
5	0311-960286	Spring Sidemount Base 10'-21' D.S.	Not Available
6	0311-960287	Spring Sidemount Base 22'-28' D.S.	Not Available
7	0835-691700	Spring Pin 1/4 x 3/4	
8	0311-960235	Spring Sidemount Base 10'-21' P.S.	Not Available
9	0311-960236	Spring Sidemount Base 22'-28' P.S.	Not Available
10	0715-619702	Spring Sidemount 10'-13' P.S.	Not Available
11	0715-619569	Spring Sidemount 14'-21' P.S.	
12	0715-619552	Spring Sidemount 22'-28' P.S.	Not Available

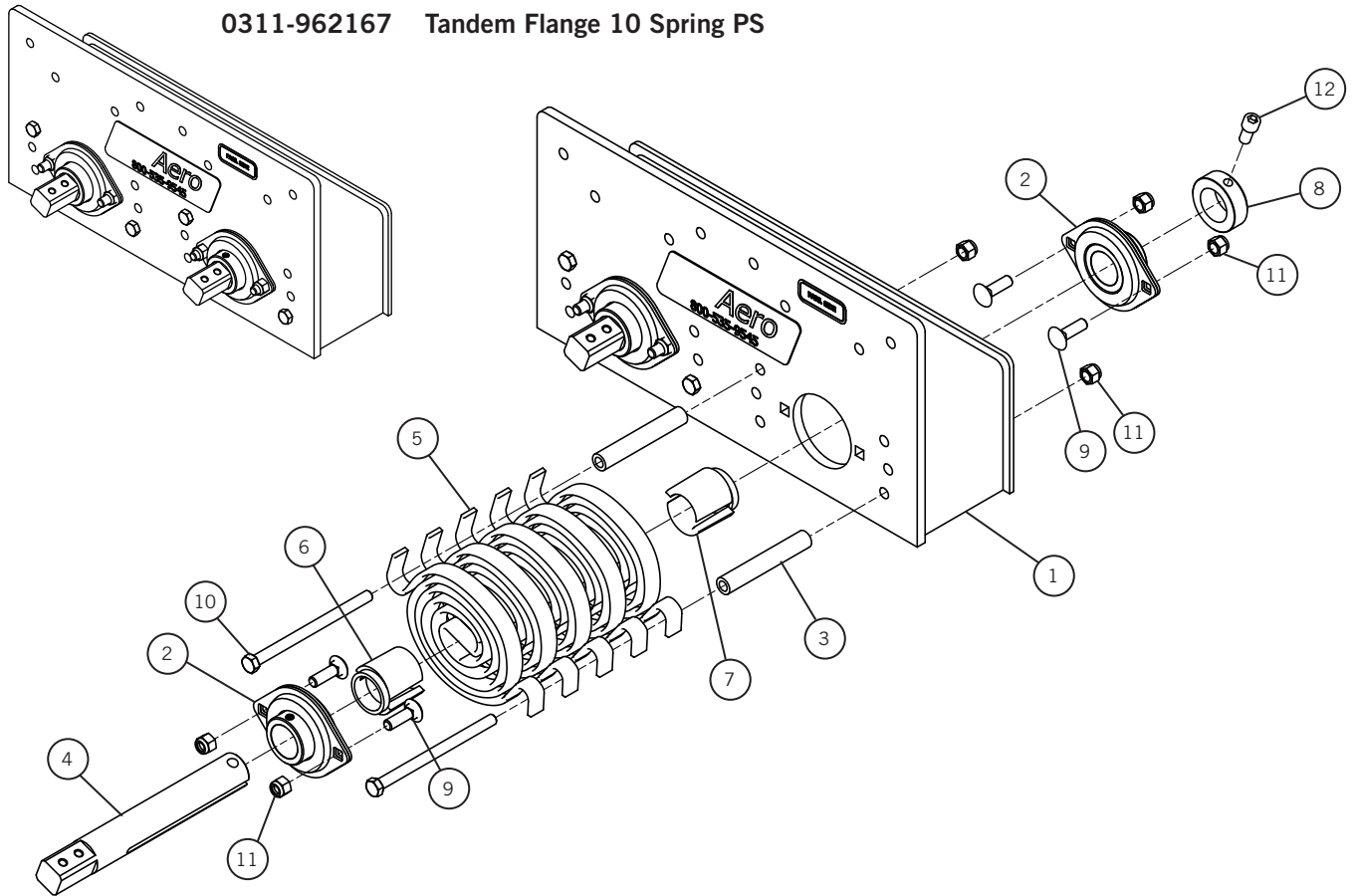
Narrow Style 10 Spring Flange Mount

Model 595 - (Aluminum Arms)

0311-962168 40' - 45' System Length Tandem Flange 10 Spring DS & PS

0311-962166 Tandem Flange 10 Spring DS

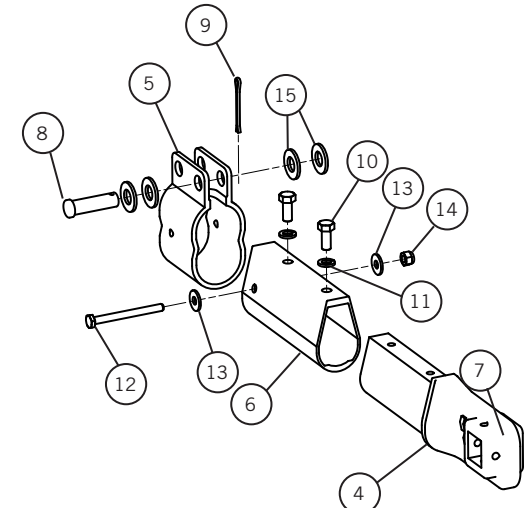
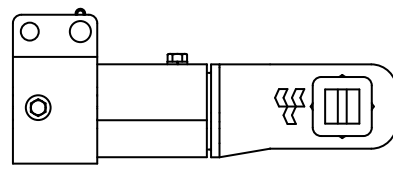
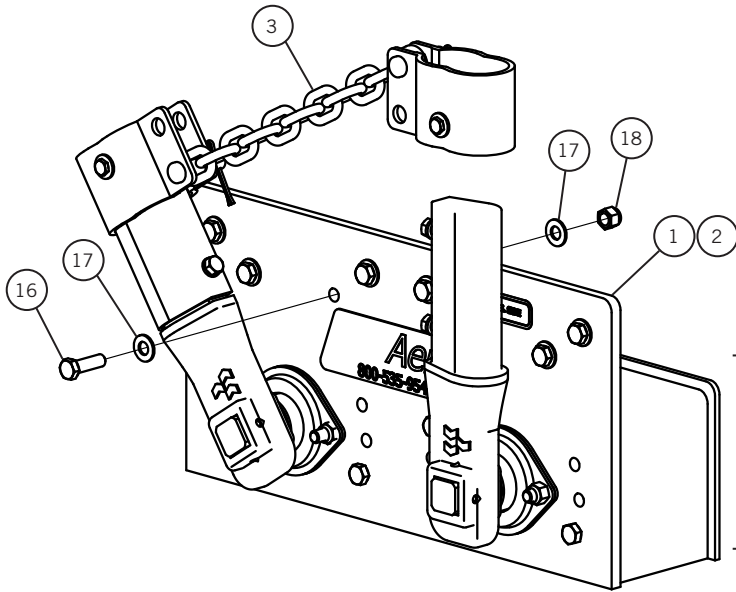
0311-962167 Tandem Flange 10 Spring PS



No.	Part No.	Description
1	0311-962164	Housing Tandem Weldment
2	0710-602115	Bearing 1 1/4" Bore
3	0311-860260	Spring Stop
4	0311-860261	Spring Shaft
5	0715-619550	Spring Powerpack Spiral
6	0311-861285-0	Insert Plastic "A" Black
7	0311-861286-0	Insert Plastic "B" White
8	0785-690335	Collar Shaft 1 1/4"
9	0810-650565	3/8-16 x 1 1/4 Carriage Bolt
10	0825-650901	3/8-16 x 5 1/2 FHCS
11	0815-660660	3/8-16 Nylon Hex Nut
12	0825-617250	3/8-16 x 3/4 Socket Cap Screw

Narrow Style 10 Spring Flange Mount

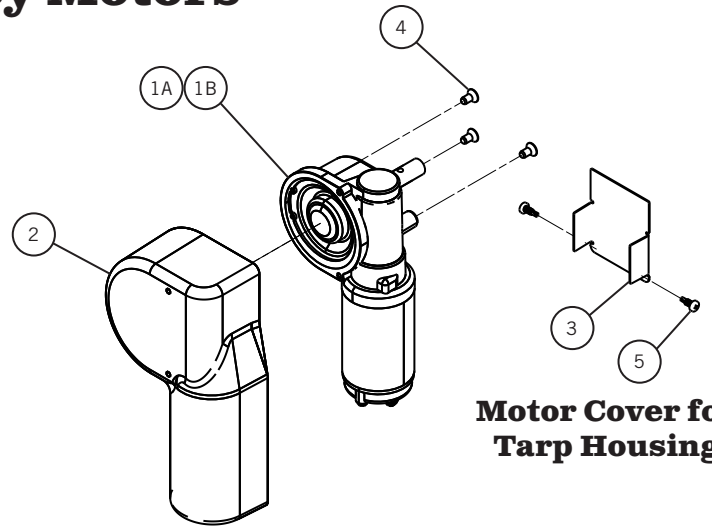
Model 595 - (Aluminum Arms)



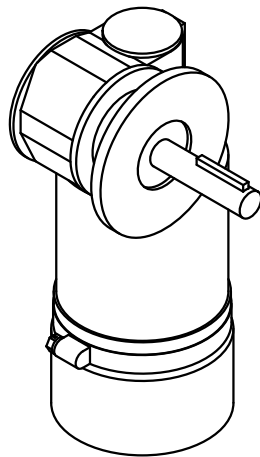
No.	Part No.	Description	Qty
1	0311-962166	Tandem Flange 10 Spring DS	
2	0311-962167	Tandem Flange 10 Spring PS	
	0311-962584	Hardware Pack E/C 10 Spring	
No.	Part No.	Description	Qty
3	0311-862645	Chain Tandem 1ft	2
4	0311-864103	End Fitting Casting	4
5	0311-862642	Bracket Adjustable Pivot	4
6	0311-862643	Arm Connector	2
7	0835-691616	Spring Pin 1/4 x 1 5/8	4
8	0835-619641	Clevis Pin 1/2 x 1 3/4	4
9	0835-691620	Cotter Pin 1/8 x 1 1/2	4
10	0810-650101	5/16-18 x 3/4 Hex Bolt GR8	8
11	0820-680520	5/16 Lock Washer	8
12	0810-650476	1/4-20 x 2 3/4 Hex Bolt	4
13	0820-680410	1/4 Flat Washer	8
14	0815-660451	1/4-20 Nylon Hex Bolt	4
15	0820-680810	1/2 Flat Washer	16
	0311-962576	Hardware Pack E/C U/M	
No.	Part No.	Description	Qty
16	0810-650542	3/8-16 x 1 1/4 Hex Bolt	8
17	0820-680620	3/8 Flat Washer	16
18	0815-660660	3/8 Nylon Hex Nut	8

Legacy Motors

No.	Part No.	Description
1A	0755-623457	Motor RA/SWB with Cover 12V
1B	0755-623464	Motor RA/SWB with Cover 24V
2	0311-860655	Motor Cover
3	0311-860285	Plate Filler
4	0825-650885	5/16-18 x 5/8 FHCS
5	0825-670835	#10 x 1 Selfdrilling Pan Head

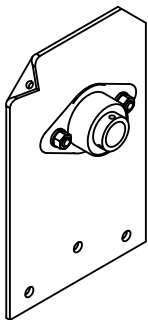


Motor Cover for Tarp Housing

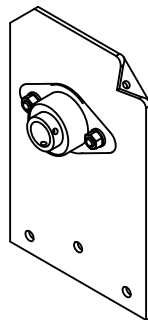


**0755-623430
PowerPro 400R**

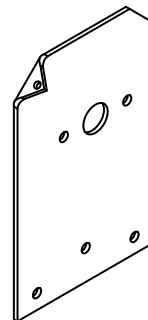
Legacy End Plates



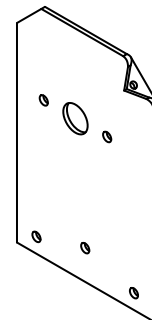
**End Plate Assy
PS Model 400-575
0311-960305**



**End Plate Assy DS
Model 400-575
0311-960306**



**End Plate P.S.
For Crank
0311-860581**



**End Plate D.S.
For Crank
0311-860582**



Call 1-800-535-9545
www.aeroindustries.com

INDIANAPOLIS, IN

Indianapolis, IN 46241
800-535-9545
FAX: 317-244-1311

OMAHA, NE

Omaha, NE 68137
800-535-9545
FAX: 402-895-6129

KENT, OH

Kent, OH 44240
888-237-2262
FAX: 330-626-3277

VALLEY, NE

Valley, NE 68064
800-535-9545
FAX: 402-895-6129

© 2014 Aero Industries, Inc.

Aero®, , Easy Cover®, and The Claw® are registered trademarks of Aero Industries, Inc.

US: 5129698, 5174625, 6234562, 6318790, 6338521, 6367862, 6457622, 6474719, 6536836, 6575518, 6575519, 6578897, 6637800, 6712419, 6786735, 6942274, 7275780, 8205927, 8220859, 8267461, 8444206, 8550532, 8690223, 8882172, 9056541, 9073416, 9327583, 9812923, 10023033 B2, 10434850, 10434852, 10434851; others pending
Canada: 2073714, 2074607, 2394047, 2403478, 2403484, 2471029, 2499561, 2526379, 2699021, 2775212, 2744164, 2842179; others pending
UK: GB2469379