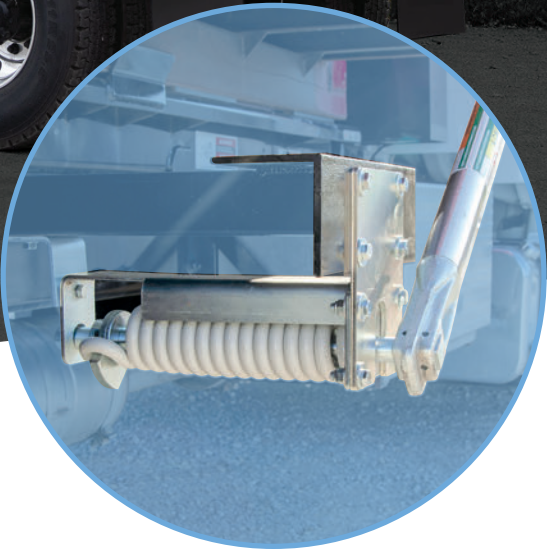


Front-to-back
Proven power and durability



THE RIGHT SPRING FOR YOUR APPLICATION

Featuring the industry's most powerful springs and strong, durable arms, the Easy Cover tarp system is the most cost-effective and easy to use front-to-back system for dump applications.

Our robust range of springs are engineered to fit all dump bodies and trailers up to 53'.



Twin 280°
all dump bodies



Undermount
up to 42'



10-Spring
45' to 53'



TWIN 280°

STRONG HIGH MOUNT TENSION

Eliminates arm bounce

When mounted high, the Aero Easy Cover Twin 280° Spring travels up to 170°, exceeding the capabilities of conventional springs. The result is extreme downforce and unsurpassed performance. Drivers have a clear sight path when backing up, allowing them to be safer and more efficient. High mount arms are shorter, lighter and more cost-effective.

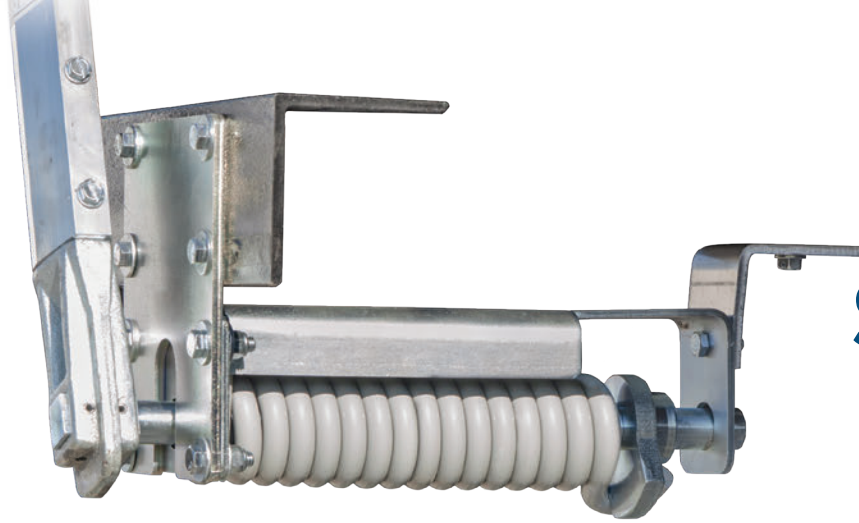
PATENTED DOUBLE HELIX DESIGN

UNIVERSAL MOUNT

CLEAR SIGHT PATH

SHORTER ARMS = LESS COST

GAME CHANGER FOR
ASPHALT HAULERS
FITS ALL DUMP BODIES



INDUSTRY BEST
STRENGTH +
LONGEVITY
UP TO 42'

UNDERMOUNT

INDUSTRY'S STRONGEST AND MOST RELIABLE

Easy installation with no welding needed

Our undermount spring has stood the test of time and is recognized as the industry's most durable and longest lasting coiled spring assembly. The clean through shaft design allows the arms to fit flush against the bottom rail. Also available for refuse applications.

SITS FLUSH AGAINST TRAILER BODY

PLATED OR POWDER COATED COMPONENTS

5-SPRING FLANGE

Alternative to the undermount when space is limited on dump trailers up to 38'.



POWERPACK

Its low-profile design is fully enclosed, protecting the springs from all elements. The universal design can mount to driver or passenger side of dump bodies and trailers up to 28'.

FRONT ASSEMBLY

Aero's one-piece, adjustable wind deflector requires no drilling and is ideal for dump body cab shields or trailers with square front corners. Our pre-assembled tarp housing fully encloses the tarp roll-up tube, requires no welding, and is ideal for trailers with radius or diagonal front corners.

HEAVY-DUTY AND AERODYNAMIC

ADJUSTABLE WIND DEFLECTOR

TARP HOUSING WITH STANDARD REAR OR OPTIONAL TOP-OPENING DESIGN



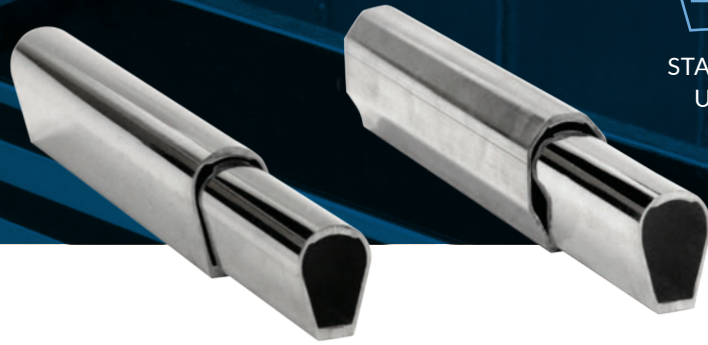
PROVEN ARM TECHNOLOGY

Aero Easy Cover systems feature the industry's most durable arms. Engineered for strength through the combination of shape and aluminum alloy, Easy Cover arms are easy to assemble and adjust to the proper length.

STRONG DUE TO SHAPE AND ALLOY

TWO-PIECE ALUMINUM OR STEEL ARMS

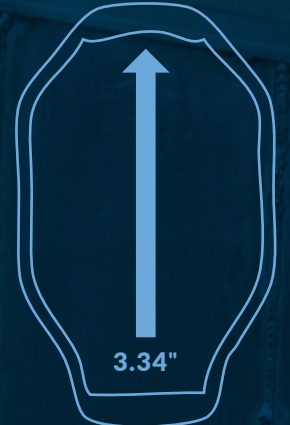
EASY INSTALLATION AND ADJUSTMENT



STANDARD
UPPER



STANDARD
SWING



HEAVY DUTY
SWING

10-SPRING FLANGE

OPTIMUM STRENGTH AND POWER

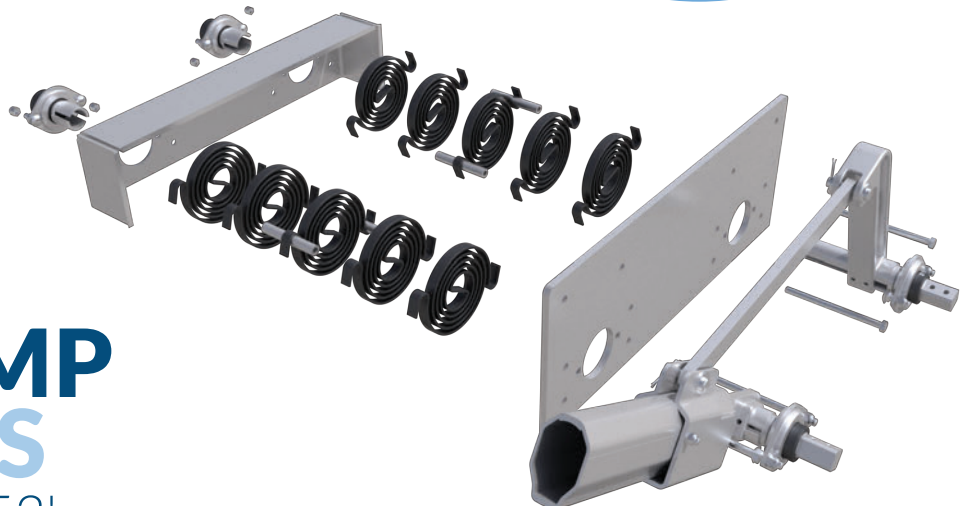
The scrap and demolition trailer tarp system

The 10-Spring flange mount spring assembly utilizes our patented double-helix springs and is designed for trailers between 45' and 53'. Mounted safely under the bottom rail, it is perfect for rugged hauling applications such as refuse, scrap and demolition. Featuring a heavy-duty lower swing arm, the two-piece adjustable aluminum arms include a restraint kit to secure them against the front and rear of the trailer.

**PATENTED DOUBLE
HELIX DESIGN**

**MORE TENSION THAN
COMPETITOR SPRINGS**

**MOUNTED SAFELY
UNDER THE TRAILER**



IDEAL FOR
**LONG DUMP
TRAILERS**
45' TO 53'



POWER OPTIONS

Our electric motor is the most reliable in the industry. The proven design features a chrome cover and is backed by a 3-year warranty. Available with optional wireless controls, allowing the operator to view the tarp system from outside of the truck cab.

Manual models feature the industry's only one-hand crank assembly with a built-in friction brake and self-locking mechanism.



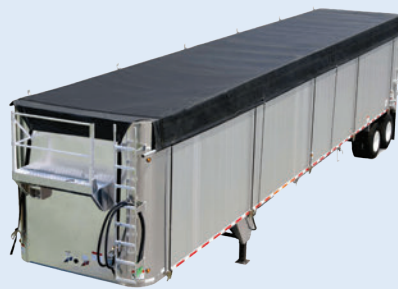
AEROFORCE S2S

A revolutionary new tarp system built from the ground up, delivering the ultimate in versatility, durability, and performance. The AeroForce side-to-side tarp system is designed for multiple trailer configurations including refuse and end dump.



REFUSE ROLL TARPS

In a matter of minutes, your trailer can be completely uncovered using the Aero side-to-side roll tarp system. Just undo the straps and smoothly crank the roll tarp across the trailer.



LID 2

The industry's strongest refuse flip tarp system is now lighter, faster and stronger than ever. The Lid 2 provides a more durable design along with an easier to maintain structure, minimizing repair costs.



Copyright © 2022 Aero Industries, Inc. Aero, the chevron, Easy Cover, AeroForce, and Lid2 are registered trademarks of Aero Industries. All rights reserved.

Easy Cover Patents / US: 5129698, 5174625, 6234562, 6318790, 6338521, 6367862, 6457622, 6474719, 6536836, 6575518, 6575519, 6578897, 6637800, 6712419, 6786735, 6942274, 7275780, 205927, 8220859, 8267461, 8444206, 8550532, 8690223, 8882172, 9056541, 9073416, 9327583, 9812923, 10023033 B2, 10434850, 10434852, 10434851, others pending; Canada: 2073714, 2074607, 2394047, 2403478, 2403484, 2471029, 2499561, 2526379, 2699021, 2775212, 2744164, 2842179, others pending; United Kingdom: GB2469379 AeroForce Patents / US: 10023033; Canada: 2996297 Lid2 Patents / US: 6983975B2, 7147264B2; United Kingdom: GB2425759, GB2435017

INDIANAPOLIS, IN
800.535.9545

OMAHA, NE
800.535.8552

KENT, OH
888.237.2262

August 2022
aeroindustries.com