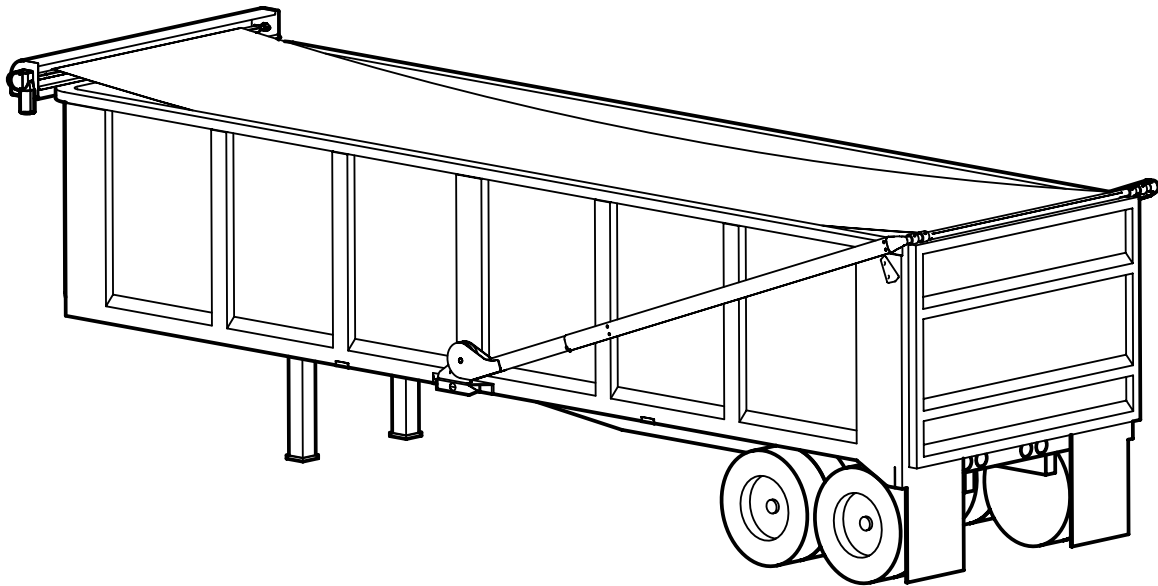
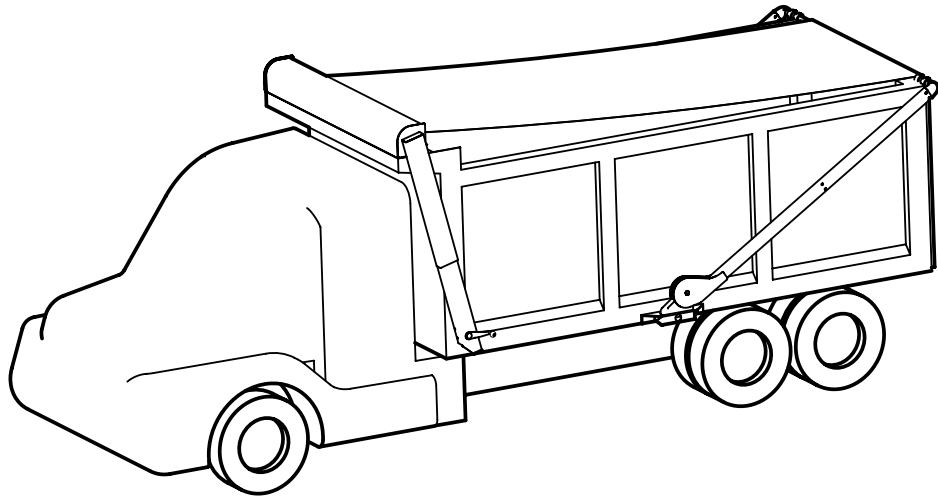




Serving the Truck & Trailer Industry
Since 1944

AeroForce F2B



AeroForce F2B

Parts List

Call 800-535-9545 | www.aeroindustries.com

Indianapolis, IN | Omaha, NE | Kent, OH

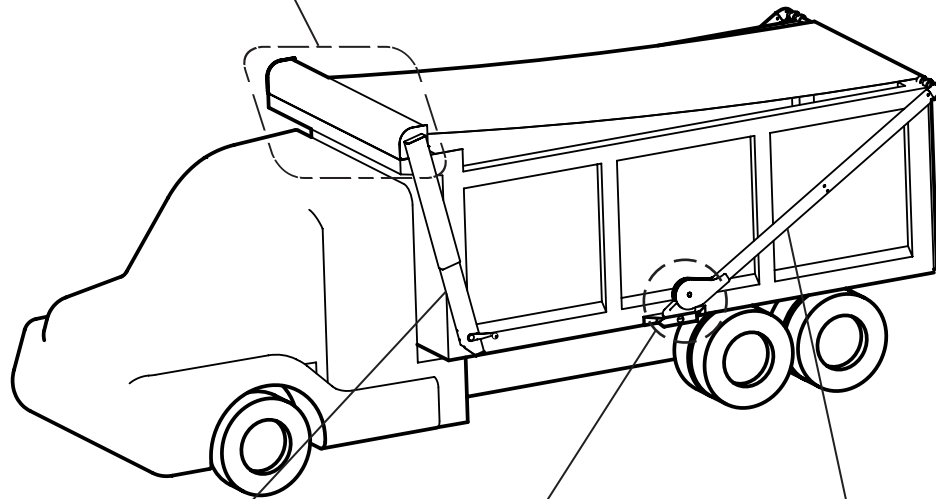
Parts List Directory

Item	Page
Pivot Assemblies	5
Pivot Mounting Brackets and Hardware	5
Spring, Spring Tube, Spring Cable Assembly	6
Straight Swing Arm Assembly	7
Straight Swing Arm Components	7
Bent Swing Arm Assembly	8
Bent Arm Upper Assembly	8
Wind Deflectors	9
End Plates for Wind Deflectors	10
Roll Bars (Manual and Electric) (Fixed and Adjustable Width)	11-12
Tarp Housing and Mounting Brackets	13
Motor	14
RDCC Kit 12 V 50 Amp Rocker	15
RDCC Kit 24 V 20 Amp Rocker	16
Smart Electronics	17
Wire and Plugs	18
Wireless Connection Kit	19
Crank Assemblies	20
Crank Covers	21

AeroForce F2B

Parts List

Wind Deflectors, Tarp Housings,
End Plates, Brackets, and Roll Up Bars
Pages 9-13



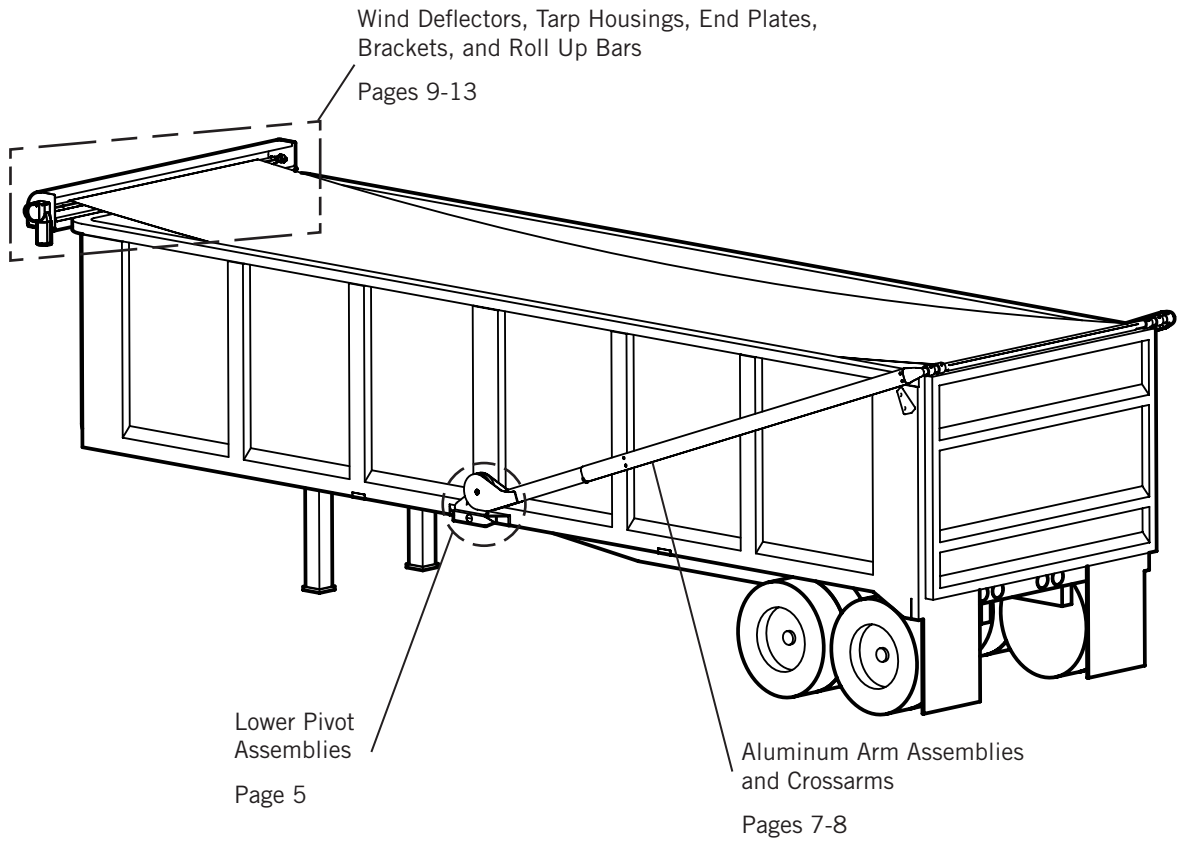
Crank Assemblies
and Covers
Pages 20-21

Lower Pivot
Assemblies
Page 5

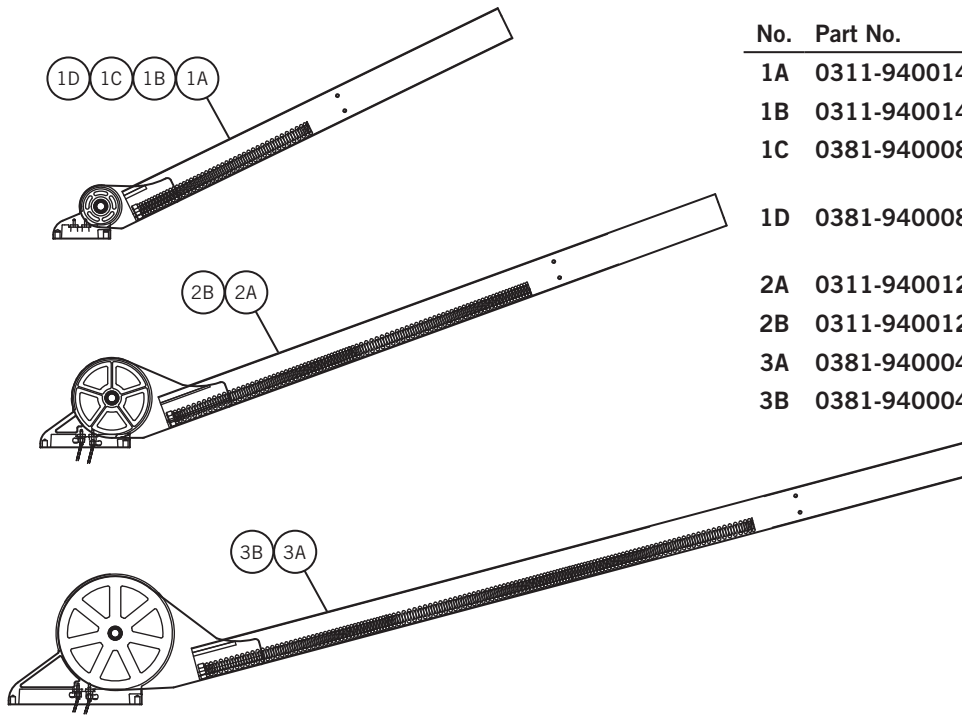
Aluminum
Arm Assemblies
and Crossarms
Pages 7-8

AeroForce F2B

Parts List

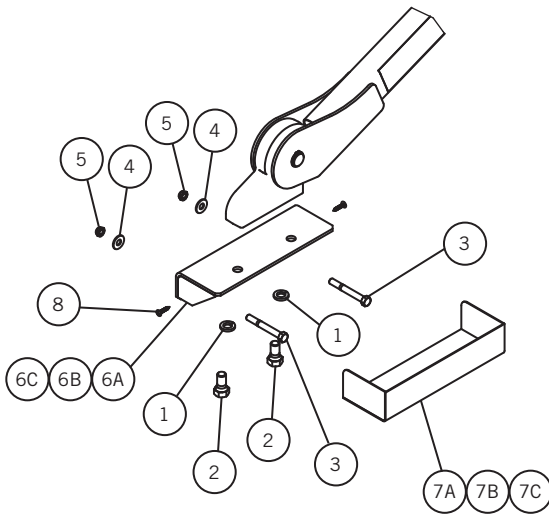


Pivot Assemblies



No.	Part No.	Description	No. of Springs
1A	0311-940014-DS	Small Pivot Assy DS	1
1B	0311-940014-PS	Small Pivot Assy PS	1
1C	0381-940008-DS	Medium Duty Small Pivot Assy DS	1
1D	0381-940008-PS	Medium Duty Small Pivot Assy DS	1
2A	0311-940012-DS	Medium Pivot Assy DS	2
2B	0311-940012-PS	Medium Pivot Assy PS	2
3A	0381-940004-DS	Large Pivot Assy DS	3
3B	0381-940004-PS	Large Pivot Assy PS	3

Pivot Mounting Brackets and Hardware



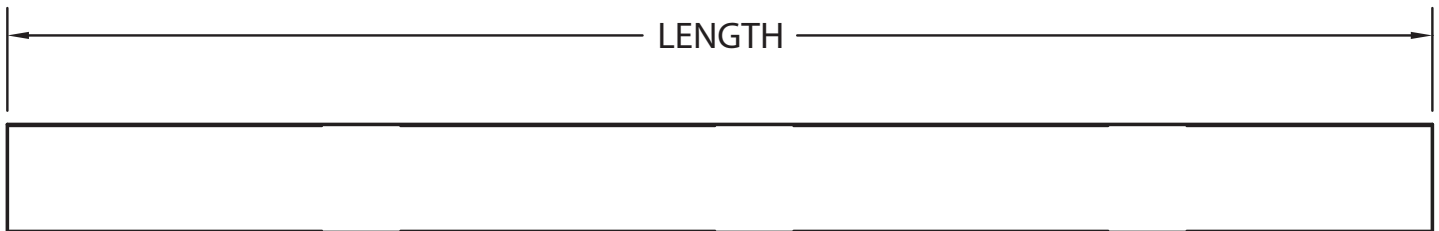
No.	Part No.	Description
1	0820-681220	3/4 - SPLIT LOCK WASHER
2	0810-650301	3/4-10 UNC - 1.5 - BOLT HHCS
3	0810-650123	1/2"-13 x 4" HHCS BOLT
4	0820-680810	1/2" FLAT WASHER
5	0815-660670	1/2"-13 JAM NUT
6A	0381-940110	SMALL PIVOT SIDE MOUNT BRACKET
6B	0381-940111	MEDIUM PIVOT SIDE MOUNT BRACKET
6C	0381-940112	LARGE PIVOT SIDE MOUNT BRACKET
7A	0381-940120	SMALL BRACKET COVER
7B	0381-940121	MEDIUM BRACKET COVER
7C	0381-940122	LARGE BRACKET COVER
8	0825-650551	#10-24 x 1/2 SCREW

Spring



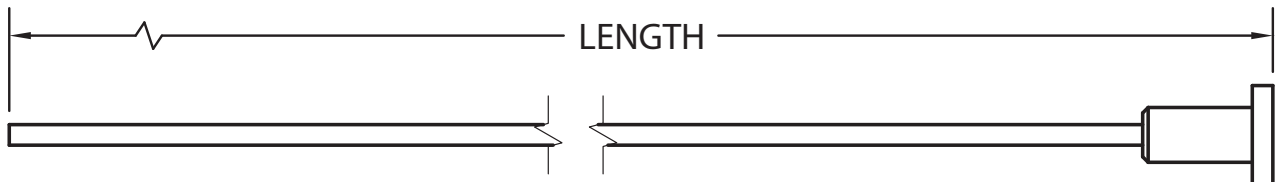
Part No.	Description	Color
0311-840004	HEAVY DUTY SPRING	BLACK
0715-619581	MEDIUM DUTY SPRING	ORANGE

Spring Tube



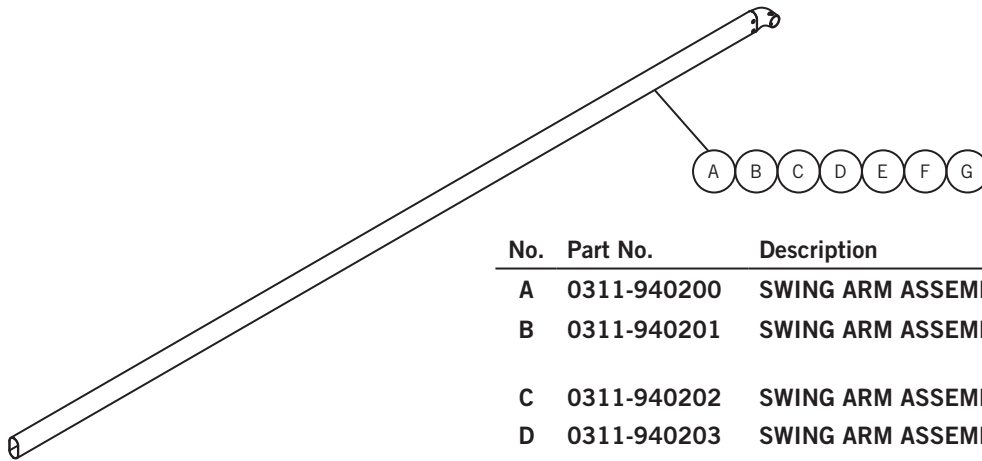
Part No.	Description	Length	For No. of Springs
0311-840005	SMALL SPRING TUBE	26	1
0311-840014	MEDIUM SPRING TUBE	55	2
0311-840003	LARGE SPRING TUBE	78	3

Spring Cable Assembly

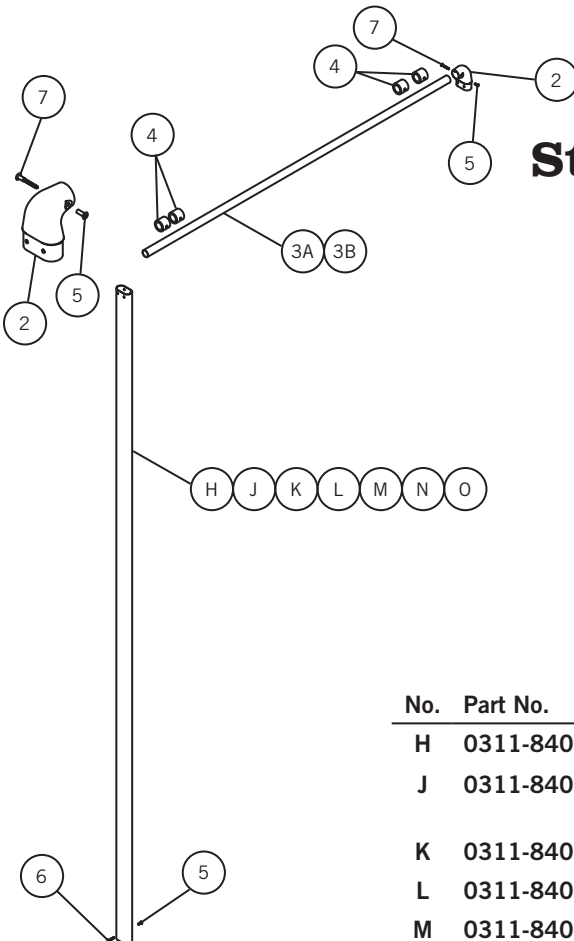


Part No.	Description	Length	For No. of Springs
0311-940007	SMALL CABLE ASSEMBLY	40	1
0311-940011	MEDIUM CABLE ASSEMBLY	68	2
0381-940005	LARGE CABLE ASSEMBLY	96	3

Straight Swing Arm Assembly



No.	Part No.	Description	Fits
A	0311-940200	SWING ARM ASSEMBLY 108"	SMALL PIVOT 15'-20'
B	0311-940201	SWING ARM ASSEMBLY 136"	SMALL PIVOT 21'-25' or MEDIUM PIVOT 26'-30'
C	0311-940202	SWING ARM ASSEMBLY 131"	MEDIUM PIVOT 26'-30'
D	0311-940203	SWING ARM ASSEMBLY 170"	MEDIUM PIVOT 31'-35'
E	0311-940204	SWING ARM ASSEMBLY 225"	MEDIUM PIVOT 41'-45' or LARGE PIVOT 46'-50'
F	0311-940205	SWING ARM ASSEMBLY 198"	LARGE PIVOT 41'-45'
G	0311-940206	SWING ARM ASSEMBLY 252"	LARGE PIVOT 51'-55'

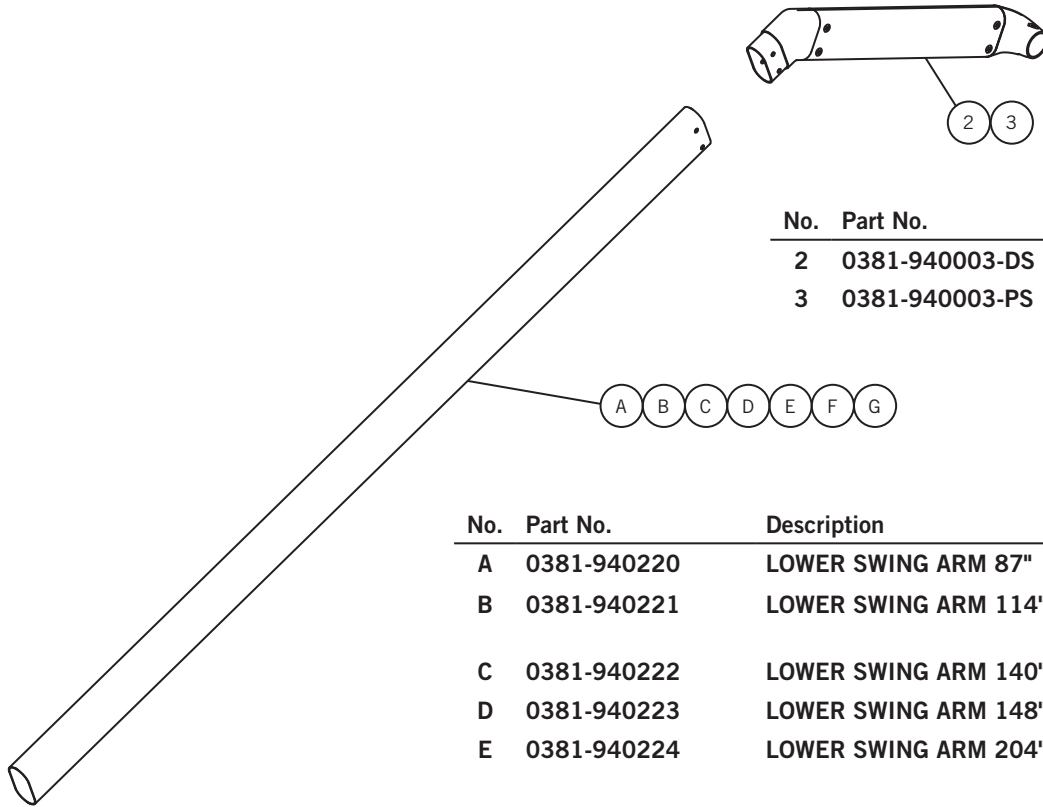


Straight Swing Arm Components

No.	Part No.	Description
2	1300-148403	CASTING, 90 DEGREE CORNER
3A	0311-840018	CROSS ARM; 2" OD 107.5"
3B	0311-840024	CROSS ARM; 2" OD 120"
4	0311-840019	CROSS ARM BUMPER; 2" ID
5	0815-650302	NUT, BINDING; 1/4-20 X 11/16"
6	0810-650300	BOLT, BINDING; 1/4-20 X 1-1/4"
7	0810-650302	BOLT, BINDING; 1/4-20 X 1-3/4"

No.	Part No.	Description	Fits
H	0311-840200-P	SWING ARM 108"	SMALL PIVOT 15'-20'
J	0311-840201-P	SWING ARM 136"	SMALL PIVOT 21'-25' or MEDIUM PIVOT 26'-30'
K	0311-840202-P	SWING ARM 131"	MEDIUM PIVOT 26'-30'
L	0311-840203-P	SWING ARM 170"	MEDIUM PIVOT 31'-35'
M	0311-840204-P	SWING ARM 225"	MEDIUM PIVOT 41'-45' or LARGE PIVOT 46'-50'
N	0311-840205-P	SWING ARM 198"	LARGE PIVOT 41'-45'
O	0311-840206-P	SWING ARM 252"	LARGE PIVOT 51'-55'

Bent Swing Arm Assembly

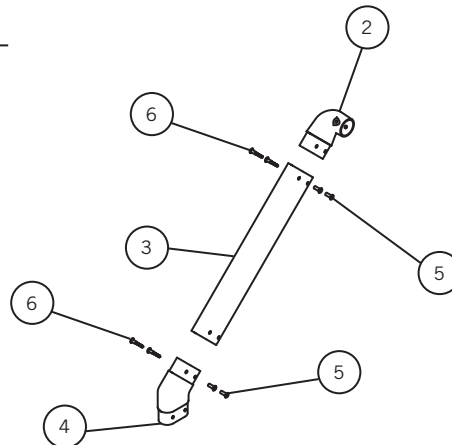


No.	Part No.	Description
2	0381-940003-DS	ASSY, BENT ARM UPPER; DS
3	0381-940003-PS	ASSY, BENT ARM UPPER; PS

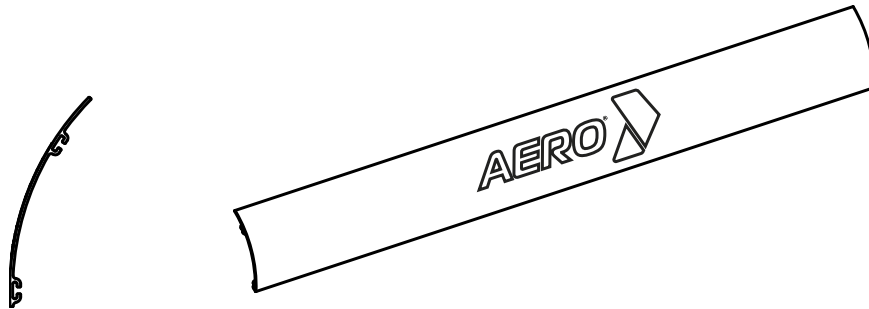
No.	Part No.	Description	Fits
A	0381-940220	LOWER SWING ARM 87"	SMALL PIVOT 15'-20'
B	0381-940221	LOWER SWING ARM 114"	SMALL PIVOT 21'-25' or MEDIUM PIVOT 26'-30'
C	0381-940222	LOWER SWING ARM 140"	MEDIUM PIVOT 26'-30'
D	0381-940223	LOWER SWING ARM 148"	MEDIUM PIVOT 31'-35'
E	0381-940224	LOWER SWING ARM 204"	MEDIUM PIVOT 41'-45' or LARGE PIVOT 46'-50'
F	0381-940225	LOWER SWING ARM 176"	LARGE PIVOT 41'-45'
G	0381-940226	LOWER SWING ARM 231"	LARGE PIVOT 51'-55'

Bent Arm Upper Assembly

No.	Part No.	Description
2	1300-148403	CASTING, 90 DEGREE CORNER
3	0381-840002-P	BENT SWING ARM UPPER
4	1300-148404	45 DEGREE OFFSET CASTING
5	0815-650302	NUT, BINDING; 1/4-20 X 1 1/16"
6	0810-650300	BOLT, BINDING; 1/4-20 X 1-1/4"



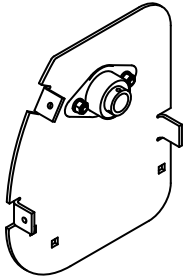
Wind Deflectors



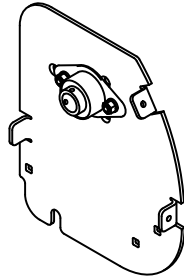
- 0311-961845 Wind Deflector V2.0 96"**
- 0311-961846 Wind Deflector V2.0 102"**

For use with End Plates: 0311-861840 End Plate P.S.
0311-861839 End Plate D.S.

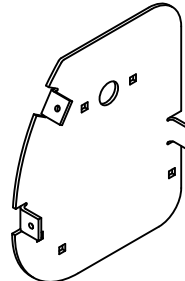
End Plates for Wind Deflectors



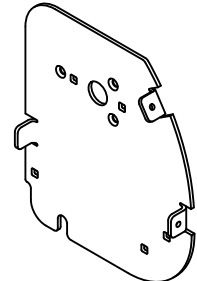
End Plate Assy PS
0311-961844



End Plate Assy DS
0311-961843

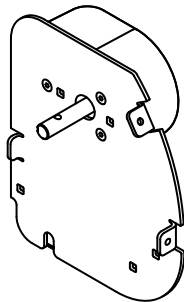


End Plate P.S.
For Crank or Electric
0311-861840

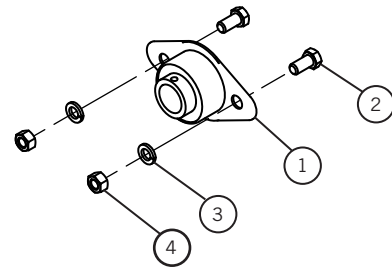


End Plate D.S.
For Crank or Electric
0311-861839

Round Gearbox Motor



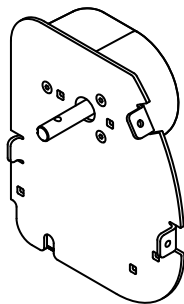
Motor Assy Winch B
0311-961870



0311-962583 Bearing Kit for all End Plates

No.	Part No.	Description	Qty
1	0710-602155	Bearing Flange 1" Bore	1
2	0810-670682	3/8-16 x 3/4 Hex Bolt	2
3	0820-680610	3/8 Lock Washer	2
4	0815-660640	3/8-16 Hex Nut	2

Square Gearbox Motor

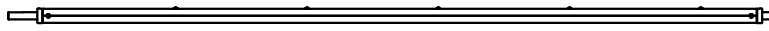


Motor Assembly
0311-961893

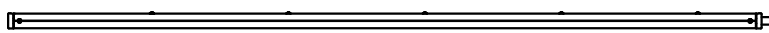
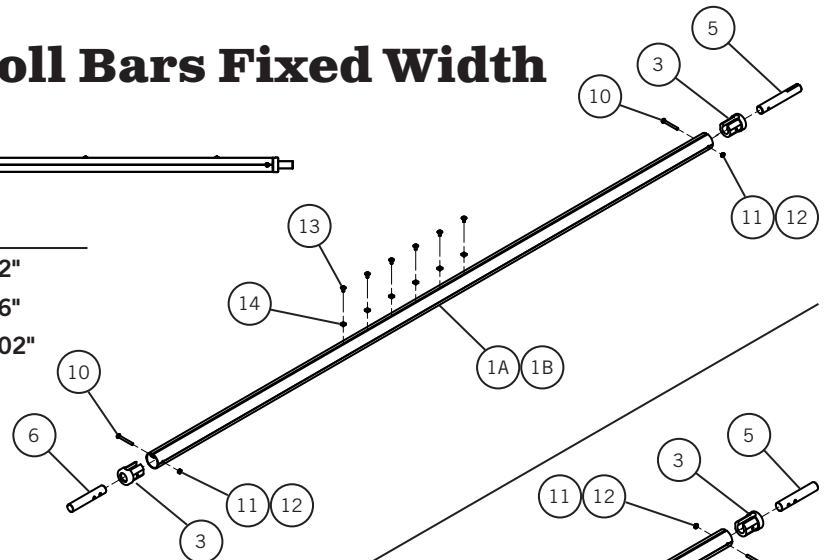
0311-960581 PACK, W/D END PLATE HWD

Part No.	Description	Qty
0810-650456	BOLT CARR 1/4-20x3/4	4
0815-660451	NUT HEX. 1/4-20-NYLOCK	4
0810-670650	BOLT HHCS 3/8"-16 x 1"	6
0820-680620	WASHER FLAT 3/8"	12
0815-660660	NUT HEX. 3/8-16	6

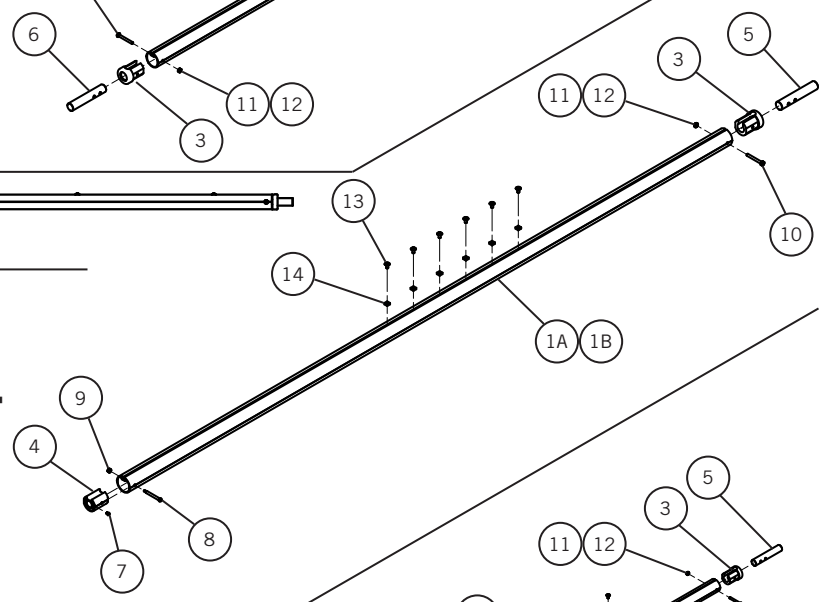
Roll Bars Fixed Width



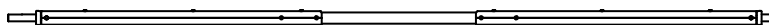
Part No.	Description
0311-961304	Roll Up Bar Assy Manual 92"
0311-961303	Roll Up Bar Assy Manual 96"
0311-961305	Roll Up Bar Assy Manual 102"



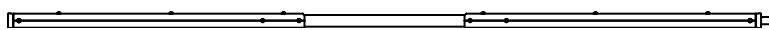
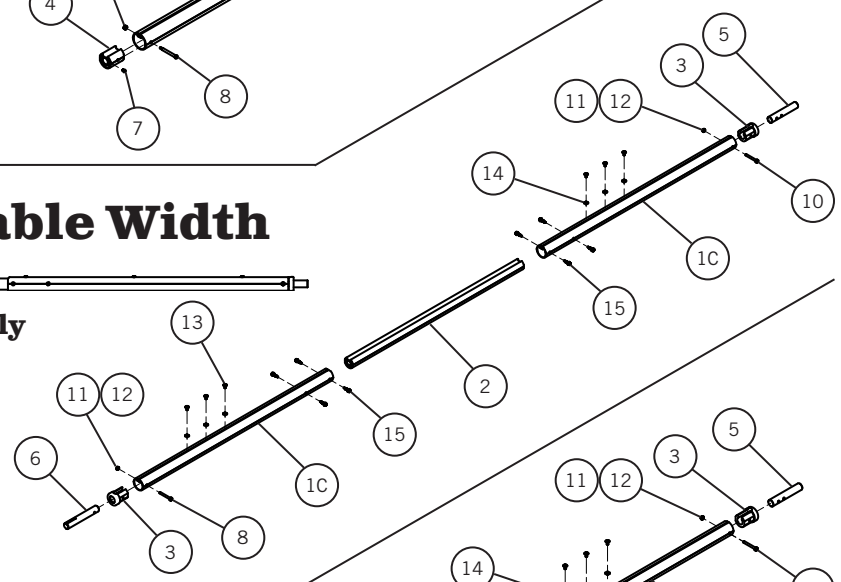
Part No.	Description
0311-961310	Roll Up Bar Assy Elec 84"
0311-961301	Roll Up Bar Assy Elec 92"
0311-961300	Roll Up Bar Assy Elec 96"
0311-961302	Roll Up Bar Assy Elec 102"



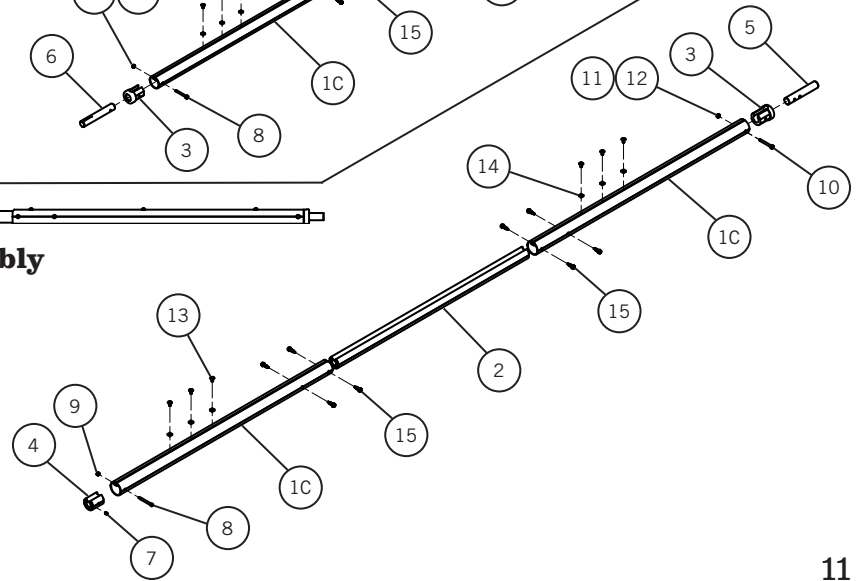
Roll Bars Adjustable Width



**Roll Bar Manual Assembly
0311-961306**



**Roll Bar Electric Assembly
0311-961307**



AeroForce F2B

Parts List

No.	Part No.	Description
1A	0311-862218	Roll Up Tube 1pc 79-7/8"
1B	0311-862213	Roll Up Tube 1pc 87-7/8"
1C	0311-862212	Roll Up Tube 1pc 91-7/8"
1D	0311-862214	Roll Up Tube 1pc 97-7/8"
1E	0311-860762	Roll Up Tube 3 PC 40"

ROLL BAR FIXED MANUAL

No.	Part No.	Description
3	0311-861431	END, ROLLUP BAR; PS; 400
5	0311-860497	SHAFT, END; PS; 1" DIA.
6	0311-860499	SHAFT, END; DS; 1" DIA.
10	0810-650478	BOLT HHCS 1/4-20x2-1/4
11	0820-680410	WASHER FLAT 1/4"
12	0815-660456	NUT HEX. 1/4-20 JAM
	0311-962228	PACK,1PC ROLL BAR TARP HD

ROLL BAR 3 PIECE MANUAL

No.	Part No.	Description
2	0311-860761	INNER 3PC ROLL TUBE THICK
3	0311-861431	END, ROLLUP BAR; PS; 400
5	0311-860497	SHAFT, END; PS; 1" DIA.
6	0311-860499	SHAFT, END; DS; 1" DIA.
10	0810-650478	BOLT HHCS 1/4-20x2-1/4
11	0820-680410	WASHER FLAT 1/4"
12	0815-660456	NUT HEX. 1/4-20 JAM
	0311-962229	PACK,3PC ROLL BR TARP HDW

ROLL BAR FIXED ELECTRIC

No.	Part No.	Description
3	0311-861431	END, ROLLUP BAR; PS; 400
4	0311-860760	BUSHING, ALUM. ROLLUP BAR
5	0311-860497	SHAFT, END; PS; 1" DIA.
7	0825-650507	SCREW 6-32 X 1/4" FORMING
8	0810-650420	BOLT SHOULDER 1/4 X 2
9	0815-660932	NUT HEX. #10-24
10	0810-650478	BOLT HHCS 1/4-20x2-1/4
11	0820-680410	WASHER FLAT 1/4"
12	0815-660456	NUT HEX. 1/4-20 JAM
	0311-962228	PACK,1PC ROLL BAR TARP HD

ROLL BAR 3 PIECE ELECTRIC

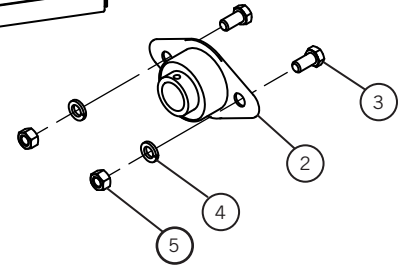
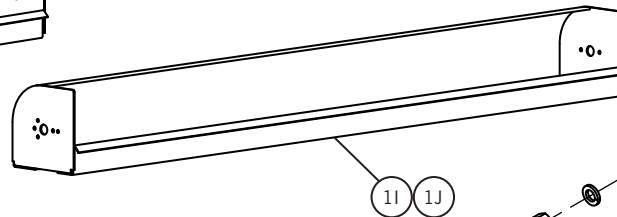
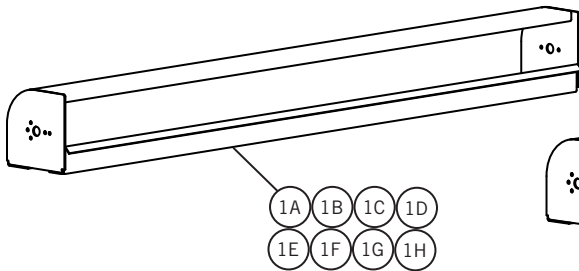
No.	Part No.	Description
2	0311-860761	INNER 3PC ROLL TUBE THICK
3	0311-861431	END, ROLLUP BAR; PS; 400
4	0311-860760	BUSHING, ALUM. ROLLUP BAR
5	0311-860497	SHAFT, END; PS; 1" DIA.
7	0825-650507	SCREW 6-32 X 1/4" FORMING
8	0810-650420	BOLT SHOULDER 1/4 X 2
9	0815-660932	NUT HEX. #10-24
10	0810-650478	BOLT HHCS 1/4-20x2-1/4
11	0820-680410	WASHER FLAT 1/4"
12	0815-660456	NUT HEX. 1/4-20 JAM
	0311-962229	PACK,3PC ROLL BR TARP HDW

No.	Part No.	Description	Qty
	0311-962228	PACK,1PC ROLL BAR TARP HD	
13	0825-690702	1/4-20 x 1/2 Truss Head	6
14	0815-660702	1/4-20 Square Nut	6

No.	Part No.	Description	Qty
	0311-962229	PACK,1PC ROLL BAR TARP HD	
13	0825-690702	1/4-20 x 1/2 Truss Head	6
14	0815-660702	1/4-20 Square Nut	6
15	0825-670360	SCREW #14 X 1 HEX TEK	8



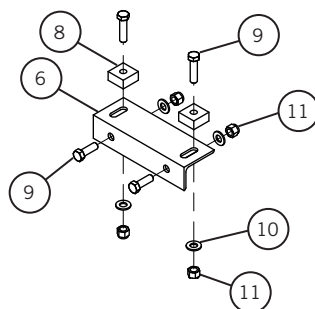
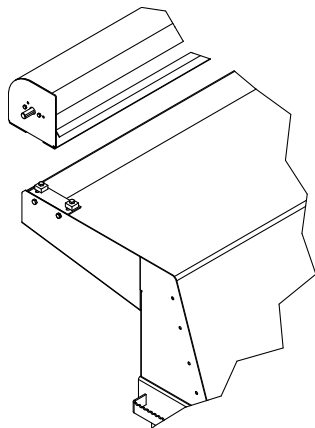
Tarp Housing and Mounting Brackets



No.	Part No.	Description
1A	0311-961967	Tarp Housing 83"
1B	0311-961974	Tarp Housing 84"
1C	0311-961964	Tarp Housing 87-1/4"
1D	0311-961962	Tarp Housing 92"
1E	0311-961960	Tarp Housing 96"
1F	0311-961965	Tarp Housing 98"
1G	0311-961963	Tarp Housing 100"
1H	0311-961961	Tarp Housing 102"
1I	0311-961988	Tarp Housing Open Top 96"
1J	0311-961989	Tarp Housing Open Top 102"

0311-962583 Bearing Kit for all Tarp Housings

No.	Part No.	Description	Qty
2	0710-602155	Bearing Flange 1" Bore	1
3	0810-670682	3/8-16 x 3/4 Hex Bolt	2
4	0820-680610	3/8 Lock Washer	2
5	0815-660640	3/8-16 Hex Nut	2

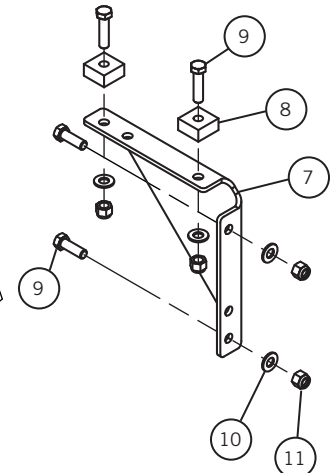
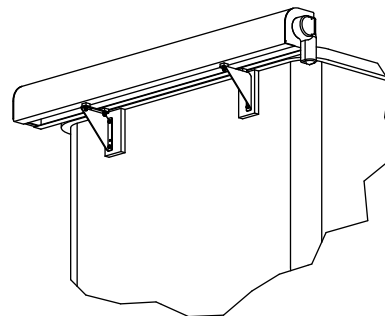


Cab Shield Mounting Hardware

Cab Shield Mounting

0311-960104 Cab Shield Bracket Kit

No.	Part No.	Description	Qty
6	0311-860481	Mounting Bracket	2
8	0765-618840	Rubber Bushing	4
9	0810-600002	1/2-13 x 2 Hex Bolt GR5	8
10	0820-680810	1/2 Flat Washer	8
11	0815-660855	1/2 Nylon Hex Nut	8



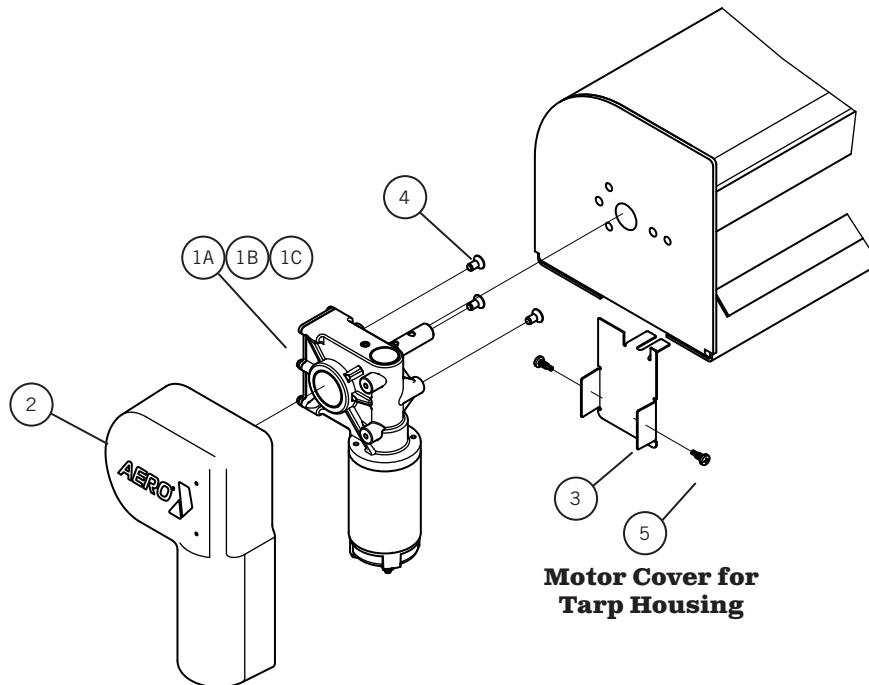
Trailer Mounting

Trailer Mounting Hardware

0311-960106 Trailer Bracket Kit

No.	Part No.	Description	Qty
7	0311-860485	Mounting Bracket Trailer	2
8	0765-618840	Rubber Bushing	4
9	0810-600002	1/2-13 x 2 Hex Bolt GR5	8
10	0820-680810	1/2 Flat Washer	8
11	0815-660855	1/2 Nylon Hex Nut	8

Motor Square Gearbox



No.	Part No.	Description
1A	0755-623457-SQ	MOTOR SQUARE GEARBOX
1B	0755-623457-SMT	SMART MOTOR SQUARE GEARBOX
1C	0755-623483	MOTOR 24V GEAR BOX
2	0311-860652	MOTOR COVER E/C GW30
3	0311-860285	Plate Filler
4	0825-650885	5/16-18 x 5/8 FHCS
5	0825-670835	#10 x 1 Selfdrilling Pan Head

NOTE: Motor cover screw is a M4 x 8mm and is not stocked

Tractor Electric Kit 50 Amp

0311-963318 Tractor Electric Kit 50 Amp

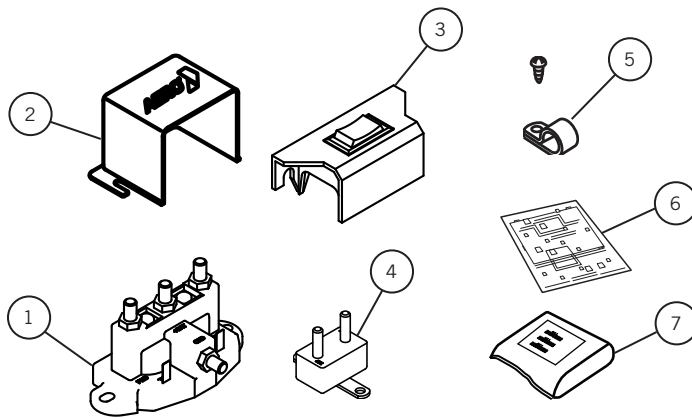
#6 Wire NOT included in Kits

Part No.	Description	Qty
0755-962131	RDCC Kit 50 Amp W/Rocker	1
0755-626588	Wire #14-3 Gray	20 ft
0930-031103	Installation EC Truck Wiring	1
0930-031101	Operation Easy Cover Electric	1

RDCC Kit 12 V 50 Amp Rocker

0755-962131 RDCC Kit 12 V 50 Amp Rocker

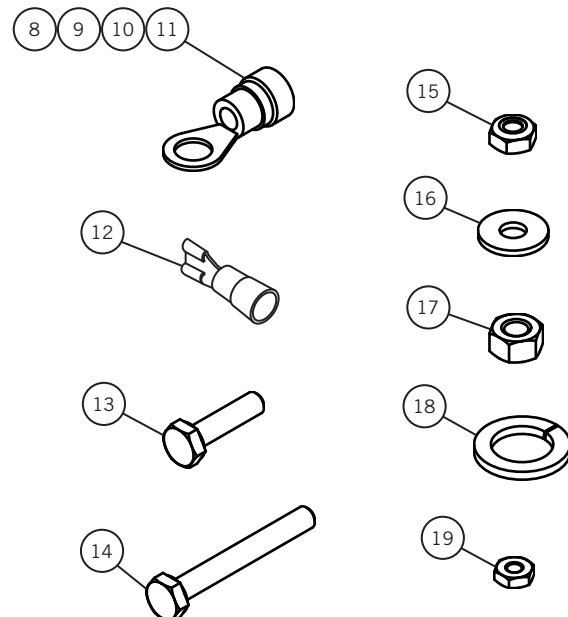
Wire NOT included in Kits



No.	Part No.	Description
1	0755-623560	Reversing DC Contactor
2	0755-623559	DC Contactor Cover
3	0755-962102	Switch Rocker for DC Contactor
4	0755-623504	Circuit Breaker 50 Amp
5	0850-603757	Clamp Metal Loom Plastic
6	0930-861642	Wiring diagram RDCC
7	0755-962111	RDCC Elec Hwd Kit-Rocker

0755-962111 Hardware Kit

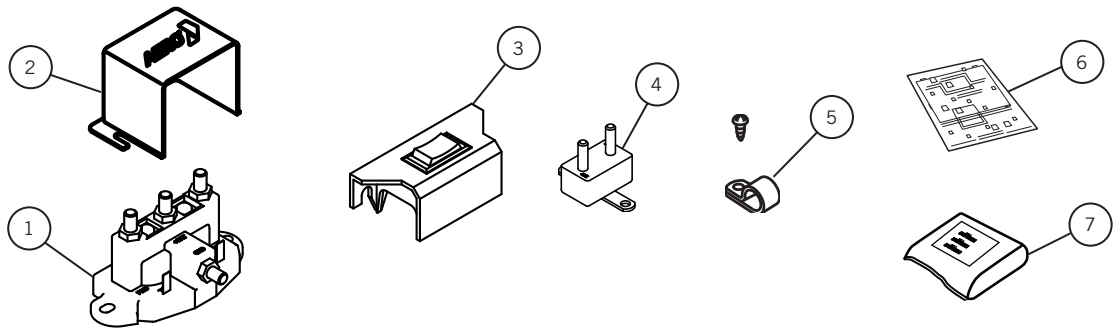
No.	Description	Qty
8	Wire End #6 x 3/8 Ring	6
9	Wire End #6 x #10 Ring	4
10	Wire End #6 x 1/4 Ring	2
11	Wire End #14 x 3/8 Ring	1
12	Wire End #14 x 1/4 Push On	6
13	1/4-20 x 1 Hex Bolt	2
14	1/4-20 x 2 Hex Bolt	2
15	1/4-20 Nylon Hex Jam Nut	4
16	1/4 Flat Washer	8
17	5/16-24 Hex Nut	4
18	5/16 Lock Washer	4
19	#10-32 Nylon Hex Nut	4



RDCC Kit 24 V 20 Amp Rocker

0755-962117 RDCC Kit 24 V 20 Amp Rocker

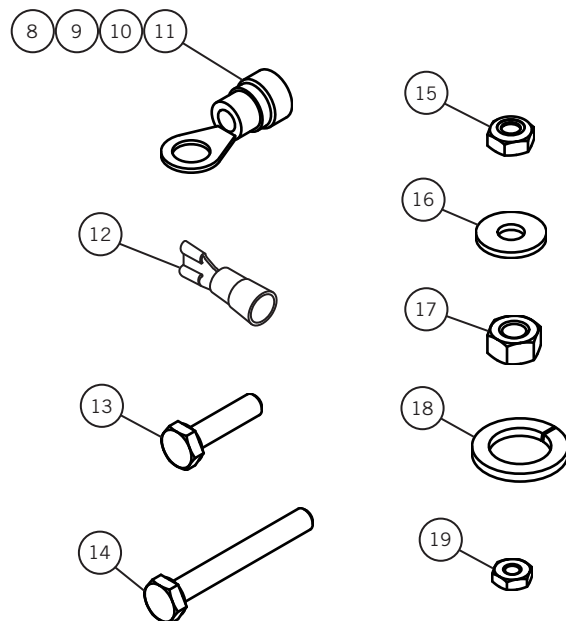
Wire NOT included in Kits



No.	Part No.	Description
1	0755-623570	Reversing DC Contactor 24 V
2	0755-623559	DC Contactor Cover
3	0755-962102	Switch Rocker for DC Contactor
4	0755-632515	Circuit Breaker 24 V 20 Amp
5	0850-603757	Clamp Metal Loom Plastic
6	0930-861642	Wiring diagram RDCC
7	0755-962111	RDCC Elec Hwd Kit-Rocker

0755-962111 Hardware Kit

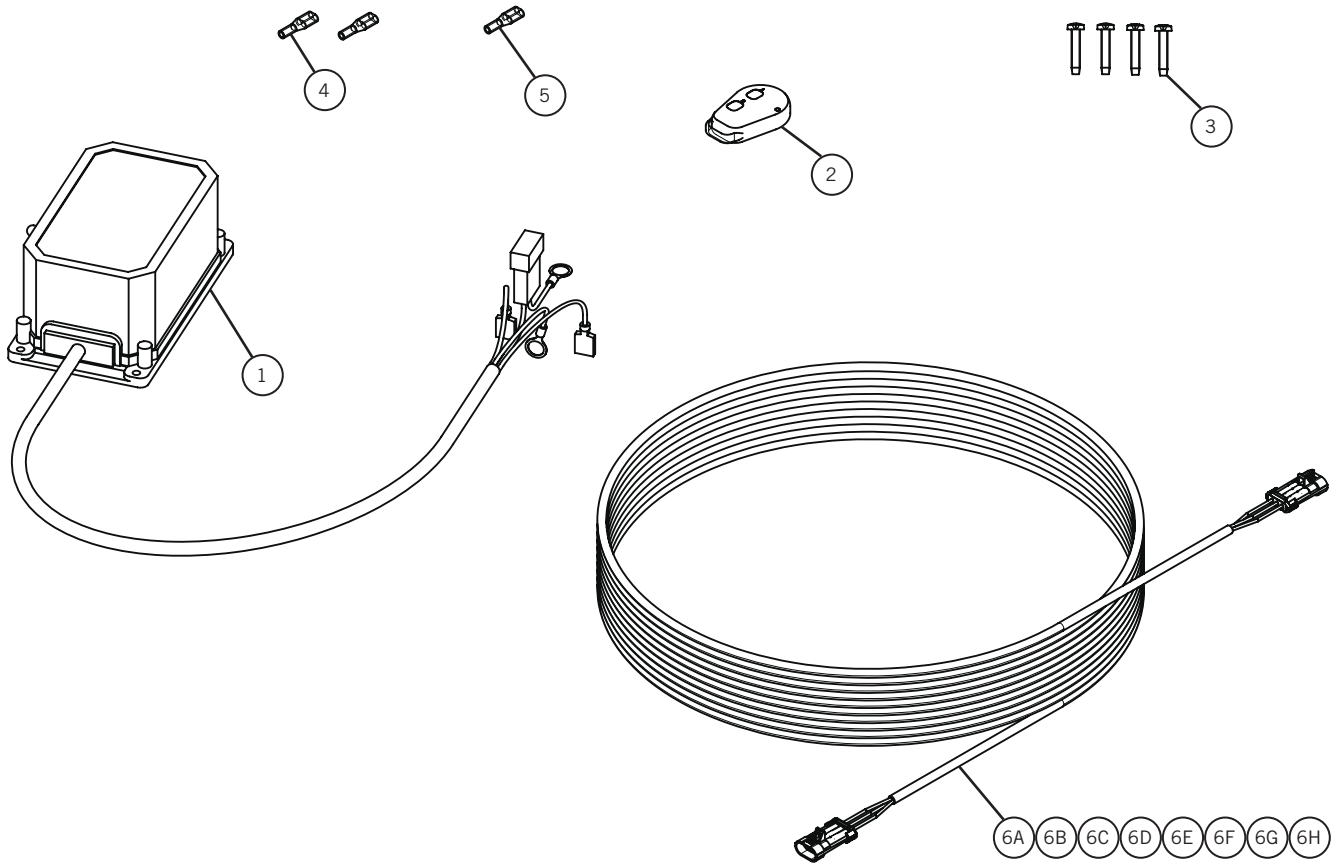
No.	Description	Qty
8	Wire End #6 x 3/8 Ring	6
9	Wire End #6 x #10 Ring	4
10	Wire End #6 x 1/4 Ring	2
11	Wire End #14 x 3/8 Ring	1
12	Wire End #14 x 1/4 Push On	6
13	1/4-20 x 1 Hex Bolt	2
14	1/4-20 x 2 Hex Bolt	2
15	1/4-20 Nylon Hex Jam Nut	4
16	1/4 Flat Washer	8
17	5/16-24 Hex Nut	4
18	5/16 Lock Washer	4
19	#10-32 Nylon Hex Nut	4



AeroForce F2B

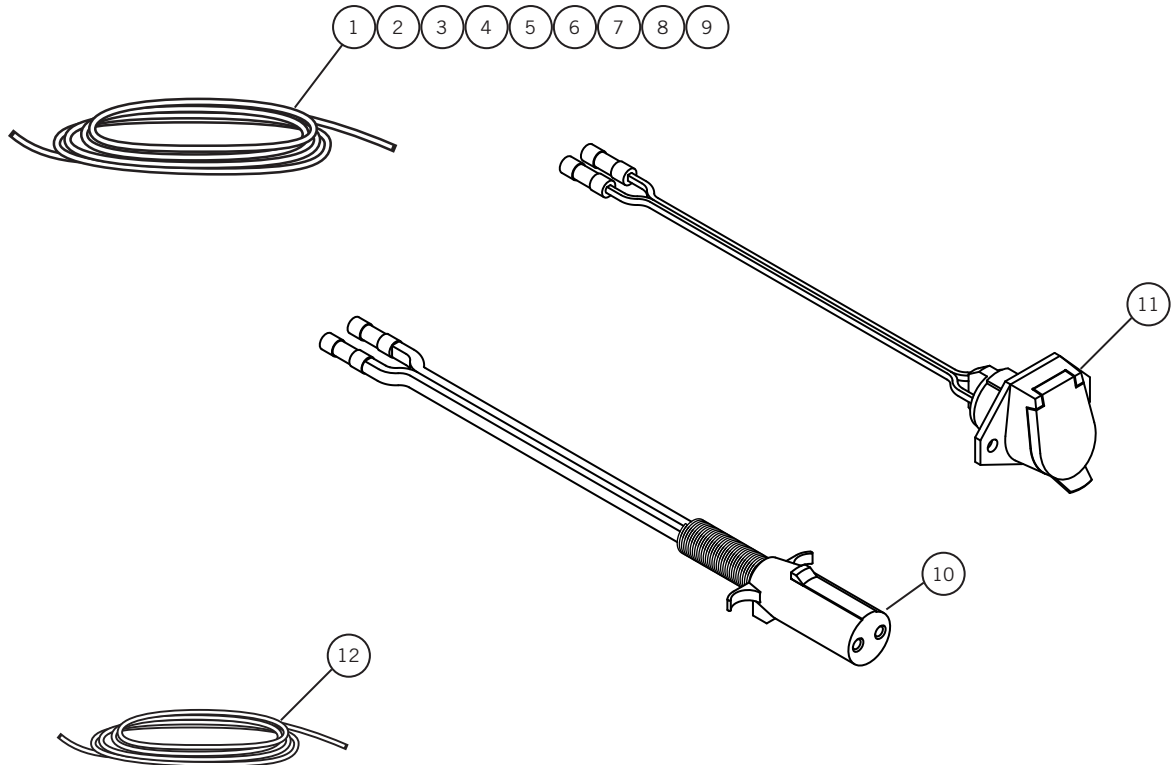
Parts List

Smart Electronics



No.	Part No.	Description	Qty
1	0755-860803	RCVR, CUR SENS, KIT, TF6	1
2	0755-860703	FOB, 6-BTN XMTR BUMP CUR	1
3	0825-670364	SCREW #10 X 1" PAN HEAD	4
4	0755-962152	INSULATED .25" FEMALE SPADE	2
5	0755-962151	INSULATED .25" MALE SPADE	1
6A	0755-626803	CABLE, SMT SENSOR, 74'	1
6B	0755-626804	CABLE, SMT SENSOR, 82'	1
6C	0755-626805	CABLE, SMT SENSOR, 90'	1
6D	0755-626806	CABLE, SMT SENSOR, 104'	1
6E	0755-626807	CABLE, SMT SENSOR, 114'	1
6F	0755-626808	CABLE, SMT SENSOR, 124'	1
6G	0755-626809	CABLE, SMT SENSOR, 130'	1
6H	0755-626810	CABLE, SMT SENSOR, 140'	1

Wire and Plugs

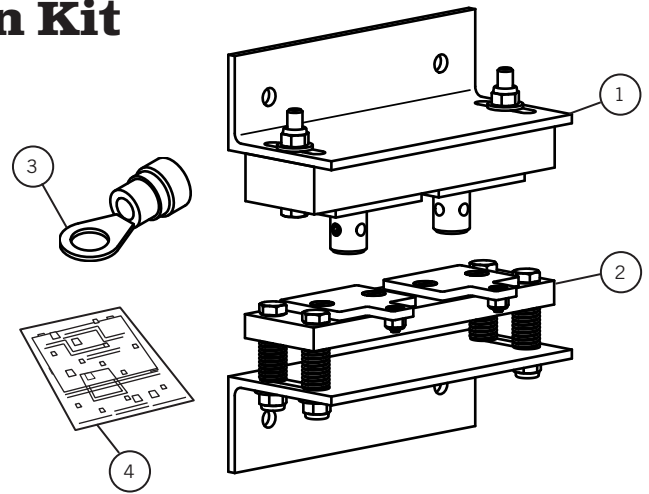


No.	Part No.	Description
1	0755-626535	Wire #6 Duplex - 50 Foot
2	0755-626536	Wire #6 Duplex - 60 Foot
3	0755-626537	Wire #6 Duplex - 70 Foot
4	0755-626538	Wire #6 Duplex - 80 Foot
5	0755-626539	Wire #6 Duplex - 90 Foot
6	0755-626530	Wire #6 Duplex - 100 Foot
7	0755-626541	Wire #6 Duplex - 110 Foot
8	0755-626542	Wire #6 Duplex - 120 Foot
9	0755-626543	Wire #6 Duplex - 130 Foot
10	0755-626454	Plug Quick Disconnect Male
11	0755-626455	Plug Quick Disconnect Female
12	0755-626588	Wire #14 Gray

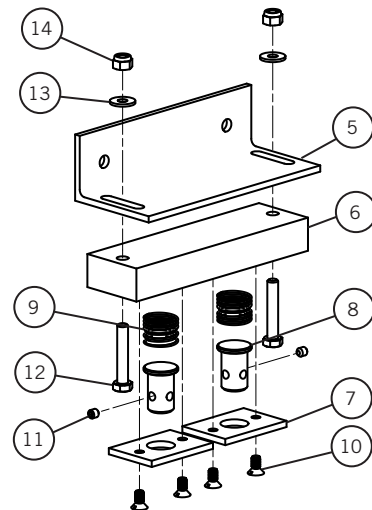
Wireless Connection Kit

0755-960150 Wireless Connection Kit

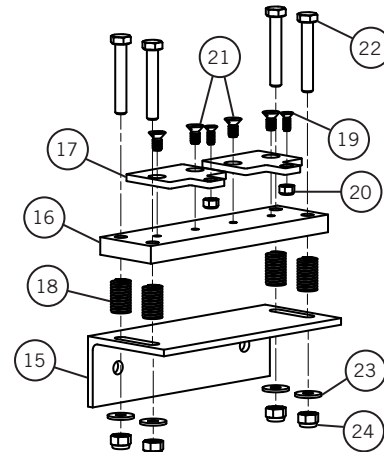
No.	Part No.	Description
1	0755-960152	Top Contact Assembly
2	0755-960151	Bottom Contact Assembly
3	0755-626504	Wire End #6 x 1/4 Ring
4	0930-861827	Installation Instruction Wireless



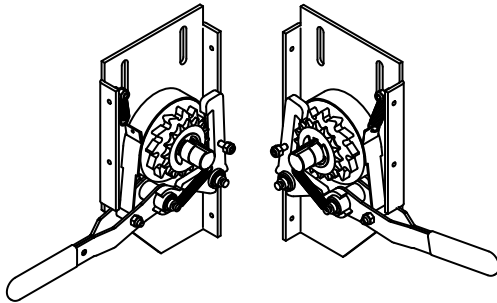
No.	Part No.	Description
	0755-960152	Top Contact Assembly
5	0755-860126	Mounting Angle
6	0755-860122	Insulator Top Electrical
7	0755-860123	Retainer Plate Electrical
8	0755-860124	Plunger Electrical Connect
9	0715-619415	Spring Electrical Connect
10	0825-650503	1/4-20 x 1/2 Slotted Flat Head
11	0825-670575	1/4-20 x 1/4 Socket Set Screw
12	0810-650103	5/16-18 x 1 3/4 Hex Bolt
13	0820-680510	5/16 Flat Washer
14	0815-660550	5/16-18 Nylon Hex Nut



No.	Part No.	Description
	0755-960151	Bottom Contact Assembly
15	0755-860126	Mounting Angle
16	0755-860120	Insulator Bottom Electrical
17	0755-860121	Striker Plate Electrical
18	0715-619802	Spring .600 O.D. x 1
19	0825-650502	#10-24 x 1/2 Slotted Flat Head
20	0815-660121	#10-24 Nylon Hex Nut
21	0825-650503	1/4-20 x 1/2 Slotted Flat Head
22	0810-650523	5/16-18 x 2 Hex Bolt
23	0820-680510	5/16 Flat Washer
24	0815-660550	5/16-18 Nylon Hex Nut

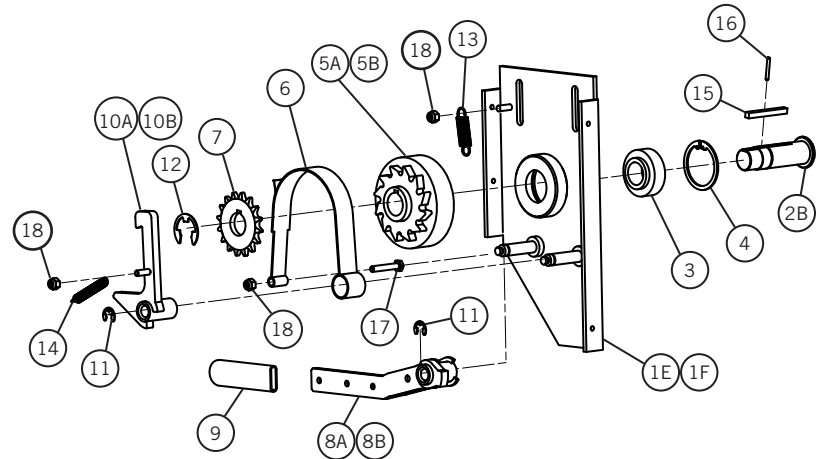


Crank Assemblies



Crank Assembly
0311-961214

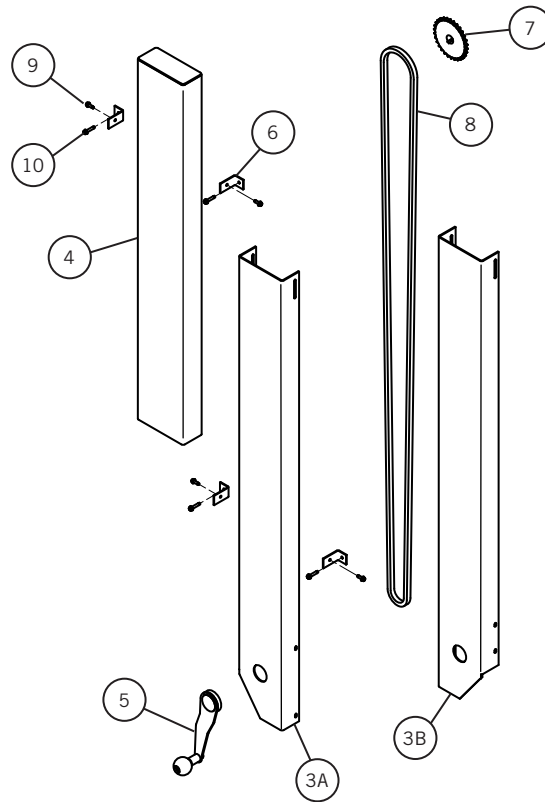
Crank Assembly
0311-961356



No.	Part No.	Description	No.	Part No.	Description
1A	0311-960708	Crank Base	9	0765-618830	Brake Handle Rubber Grip
1B	0311-960911	Crank Base Reverse	10A	0311-960728	Pawl Assy
2	0311-860732	Shaft Crank	10B	0311-962128	Pawl Assy Reverse
3	0710-602190	Bearing 1" Bore Inner	11	0840-618511	Snap Ring 1/2" External
4	0840-618523	Snap Ring 2" Internal	12	0840-618510	Snap Ring 1" External
5A	0311-860744	Ratchet/Hub One Piece	13	0715-619800	Spring Brake Band
5B	0311-860745	Ratchet/Hub One Piece Reverse	14	0715-619602	Spring Pawl
6	0311-960739	Brake Band Assy	15	0840-618513	Key Stock 6mm x 2 1/4
7	0750-619592	Sprocket 40A16 1" Bore	16	0835-691613	Spring Pin 1/8 x 1
8A	0311-960736	Brake Handle Assembly	17	0810-650472	1/4-20 x 1 1/2 Hex Bolt
8B	0311-962132	Brake Handle Assy Reverse	18	0815-660451	1/4-20 Nylon Hex Nut

NOTE: ***A refers to standard part**
 ***B refers to reverse part**

Crank Chain Covers



No.	Part No.	Description
3A	0311-961816	Chain Cover Lower Alum
3B	0311-961817	Chain Cover Lower Reverse Alum
4	0311-961818	Chain Cover Upper Alum
5	0311-960309	Crank Handle
6	0311-860599	Chain Cover Mounting Bracket
7	0750-619594	Sprocket 40B30 1" Bore
8	0720-603557	Chain Roller #40 168"
9	0825-670459	#14 x 1/2 HWH Type F
10	0825-670450	#14 x 1 HWH Type F

AeroForce F2B



Call 1-800-535-9545
www.aeroindustries.com

INDIANAPOLIS, IN
Indianapolis, IN 46241
800-535-9545
FAX: 317-244-1311

OMAHA, NE
Omaha, NE 68137
800-535-9545
FAX: 402-895-6129

KENT, OH
Kent, OH 44240
888-237-2262
FAX: 330-626-3277

© 2017 Aero Industries, Inc. AeroForce F2B is a trademark of Aero Industries, Inc.
PATENT PENDING.