

Scale Motorsport

PO Box 1768

Shelter Island, New York 11964

516-830-0821

www.scalemotorsport.com



This kit is designed for the advanced builder or intermediate modeller interested in learning new techniques while expanding their modelling skills. Contains small parts not safe for children under the age of 12 years.

Production Notes:

Not all photo-etch products are created equal. Scale Motorsport photoetch sheets are double etched from nickel-plated steel. In order to accomplish double etching, artwork and tooling costs double in time and expense, we believe this to be well worth the effort. Double etching provides increased detail and makes removal from the carrier tree cleaner and easier. We recommend that you handle our photoetch parts with a tweezer (finger prints can create tarnished surfaces over time) and dab a drop of Tamiya Clear over the part after installation.

1. F1 Modeling Magazine, issues, 1,2,3 or 4. A lot of redundancy in the photographs between the four issues so any issue will do just fine. For you Ferrari fans, issues 1 and 2 come with some great F300 and 399 photo details. These publications are hard to think of as magazines, they are as beautifully produced as the old Formula Perfect series books. Available from Rainbow 10 in Japan. The best way to contact them is through their website: www.rainbow10.com. Prices range from 1200 to 1300 yen.

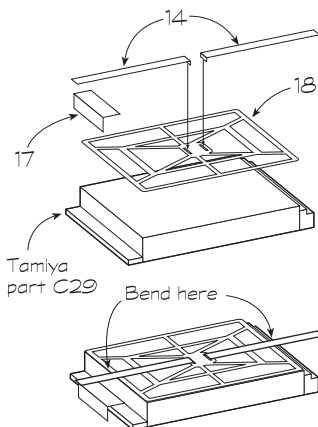
2. Formula 1 '98 by Giorgio Piola
This book provides a wonderful technical analysis of each f1 car from the 1998 season. Mr. Piola is a design engineer with a fabulous illustration technique that teaches you about every aspect of a cars development. This is the book you'll need if you want to do indepth detailing. Contains information you won't find anyplace else. Beautifully presented and easy to understand. Written in Italian and English. Phone: ++ 39/02/27301126
Fax: ++39/02/27301454
email: nadamail@sil.it
ISBN: 88-7911-200-7

McLaren MP4/13

Items below refer to your photoetch sheet.

1. Lower radiator grill, fits on Tamiya part B18.
2. Upper radiator grill, fits on Tamiya part B18.
3. No part #3.
4. Left and right barge boards, see illustrated instructions for installation.
5. Large chassis fasteners, fits on the underside of Tamiya part B25.
6. Small chassis fasteners, fits on the underside of Tamiya part B25.
7. Brake hub rings, fit on Tamiya parts A 26, A27, A28, and A29.
8. Radiator grill, fits on Tamiya part B17.
9. On-board camera sensors, fits on Tamiya part A24. Bend gently to conform.
10. Barge board mounting hardware. See illustrated instructions for installation.
11. Bulkhead plate #2, see illustrated instructions for installation.
12. Valve cover scripts. Optional
13. Steering arm brackets, to be used with Bulkhead plate B.
14. ECU fasteners, see illustrated instructions for installation. Fits Tamiya part C29.
15. Bulkhead plate #1, see illustrated instructions for installation.
16. Drivers stopwatch. Glue on upper righthand armrest in cockpit, Tamiya part C22.
17. ECU mounting plate, see illustrated instructions. Fits Tamiya part C29.
18. ECU mounting frame, see illustrated instructions. Fits Tamiya part C29.

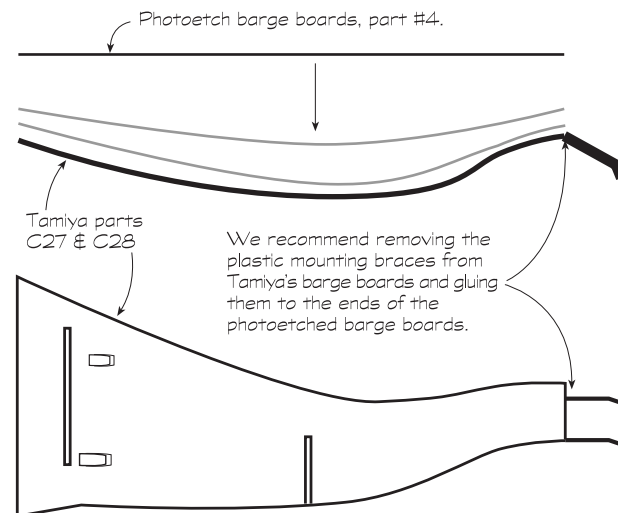
Electronic Computer Module Assembly



1. Decide whether or not you want to sand the top surface of C29 smooth, or leave the molded detail in place. If you are building our McLaren Super Detail Kit and using the electrical connectors, now is the time to drill all appropriate wholes, as per kit instructions, prior to proceeding to step #2.
2. Cover the entire piece, top and four sides with composite fiber decal material.
3. Lay the photoetch parts in place as shown above.

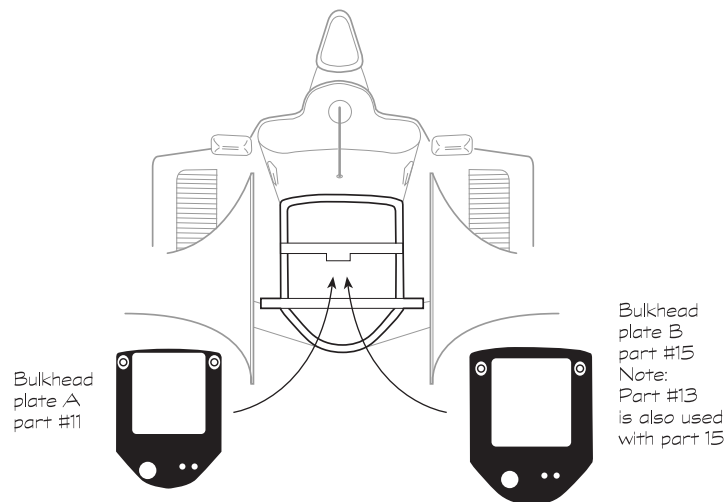
Photoetch Barge Board Assembly

Using the Tamiya barge board as a form, press the photoetched barge boards into shape.



To mount the photoetched barge boards, use the plastic hardware provided with Tamiya's kit, parts B2 & B8.

Photoetch Bulkhead Installation



We provide two different style bulkhead plates. Part 11 (plate A) is designed to fit directly on the nose of Tamiya parts A34 & 35 after they have been joined together, no alteration to the plastic is required. The use of part 15 (plate B) is for those builders who want to do a great deal of detailed scratch building and requires the removal of the molded-in plastic nose. We only suggest using plate B if you are a very advanced builder and have the proper research material to follow through on a complex build. If you are curious about what it takes to do a complex build using plate B, get a hold of the book Formula 1 '98 by Giorgio Piola. Page 79 is the only visual reference we have ever seen, that provides information to build the front nose with high detail. The McLaren team took great lengths to always keep this engineering detail covered up from photographic view.