



Scale Motorsport
 PO Box 1768
 Shelter Island, New York 11964

Phone & Text: 516-830-0821
 matthew@scalemotorsport.com
 www.scalemotorsport.com

Ferrari F1 2001 Instructions for
 Scale Motorsport sku#: #8107
 & Tamiya sku#: 20052 & 20054

This kit is not a toy, it is designed for the advanced
 builder or intermediate modeller interested in learning
 new techniques while expanding their modelling skills.
 Not safe for children under the age of 12 years.

Production Notes:

Modelers that have worked with Scale Motorsport products have
 become familiar with our attention to detail, presentation and
 abundance of parts that come with all our Super Detail Kits and
 Photoetch Sets. Our new F1 2001 Photoetch set is the latest
 in our line of detailing parts, all designed for the intermediate to
 advanced modeler interested in improving or expanding their
 building techniques. For more information about other Scale
 Motorsport products, please visit our website at:
 www.scalemotorsport.com

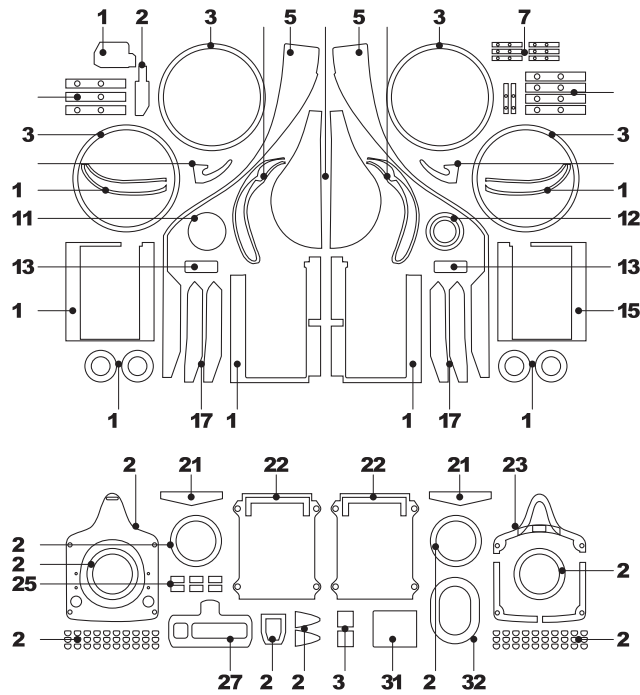
We are pleased to announce that we contracted with F1 Racing
 Magazine for a small inventory of the March 2002 Issue. The
 March issue has become famous for its article titled "**F1 2001 In
 Depth**" a photographic and parts listing essay on the entire F1
 2001 car. The article features a double page photographic spread
 of a complete F1 2001 car disassembled, artfully laid out on a
 white background with all parts completely exposed. Along with
 the photo essay is a keyed parts map identifying every part with
 a name and explanation of what each part does. The best research
 to compliment your build, check out www.scalemotorsport.com for
 more details.

Enjoy your build!

Matthew Wells,
 Scale Motorsport

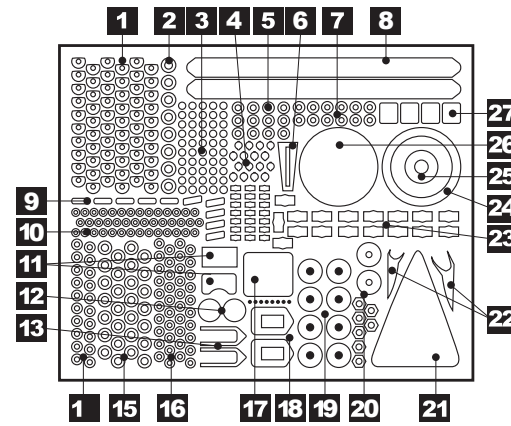
ScaleMotorsport © 2002

Ferrari F-2001 Parts List



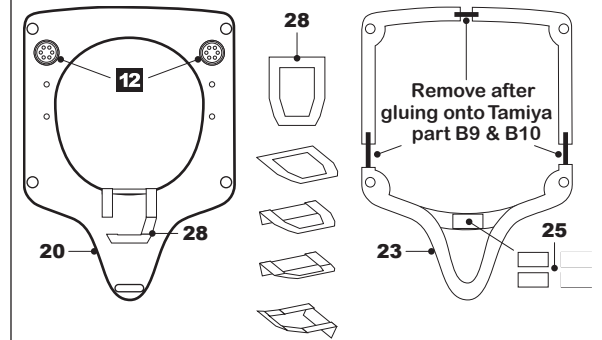
- | | |
|-------------------------|-------------------------------|
| 1. Brake Pedal | 17. Barge Board Details |
| 2. Accelerator Pedal | 18. Radiator Face |
| 3. Rim Detail | 19. Radiator Face |
| 4. Rear Wing Detail | 20. Monocoque Bulkhead |
| 5. Barge Board Bottoms | 21. Front Wing Deflectors |
| 6. Side Deflectors | 22. Radiator Details |
| 7. Small Hose Clamps | 23. Nose Cone Bracket |
| 8. Large Hose Clamps | 24. Hub Details |
| 9. Rear Jack Stey | 25. Nose Cone Bracket Details |
| 10. Rear Wing Details | 26. Hub Details |
| 11. Fuel Filler Details | 27. Monocoque Detail |
| 12. Fuel Filler Details | 28. Nose Cone Detail |
| 13. Mirrors | 29. Camera Detail |
| 14. Radiator Face | 30. Camera Detail |
| 15. Radiator Face | 31. Camera Detail |
| 16. Wheel Hub Details | 32. Monocoque Detail |

Rubber Backed Parts List

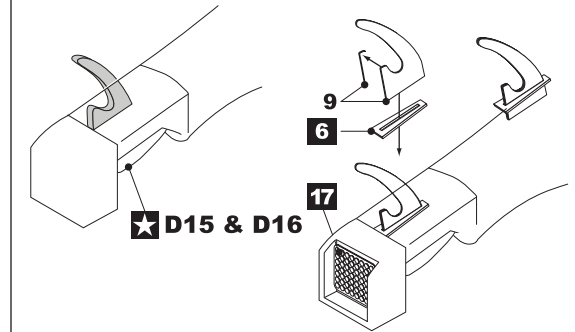


- | | |
|-----------------------------|------------------------------|
| 1. Hub Details | 15. Body Fasteners |
| 2. Steering Wheel Details | 16. Body Fasteners |
| 3. Steering Wheel Details | 17. Tail Lights |
| 4. Steering Wheel Details | 18. Front Suspension Mounts |
| 5. Radiator Bracket Details | 19. Undertray Details |
| 6. Jack Stey Detail | 20. Lambda Sensor |
| 7. Body Fasteners | 21. Induction Box Louvers |
| 8. Engine Badges | 22. Rear Wing Center Support |
| 9. Steering Wheel Details | 23. Hose Clamp Details |
| 10. Body Fasteners | 24. Dry Brake Detail |
| 11. Steering Wheel Details | 25. Steering Wheel Details |
| 12. Front Bulkhead Details | 26. Dry Brake Details |
| 13. Front Suspension Mounts | 27. Wing Adjustor |
| 14. Body Fasteners | |

Monocoque Bulkhead



Jack & Rear Marker Light



Steering Wheel

