

More REALLY, REALLY BIG 1:12th Scale Photoetch Sets from Scale Motorsport

Enzo Ferrari Photoetch Set - #8085 - REALLY, REALLY BIG Photoetch Set - 3 Big Sheets
Designed for the Tamiya (#12047) 1:12th scale Builders Kit, Scale Motorsport's Enzo Photoetch Set (#8085) will truly enhance the detail of your build. To see what's possible for your BIG SCALE Enzo build pick up a copy of Tamiya Model Magazine Issue 213 July 2013 to read a full review of David Thibodeau's "Blue Thunder" build. Scale Motorsport's full detail line-up for the Tamiya Enzo also includes:

#7085 and #7087 - Full Carbon Jacket Carbon Fiber Template Set - 9 CF Sheets
#7086 - Interior Carbon Fiber Template Set Add to your Enzo our Full - 6 CF Sheets
#20091 - Up Close & Mechanical Enzo Photo CD

Ferrari 312T - #8070 - REALLY, REALLY BIG Ferrari 312T Photoetch Set
The Tamiya Ferrari 312T (#12019) was the very first Tamiya kit I ever built and just like the real 312T Tamiya's brilliant kit is a true icon in the world of automotive modeling. For anyone interested in building 1:12th scale subjects this has to be on your "bucket list". Building Tamiya's 312T with Scale Motorsport's Ferrari 312T Photoetch Set will bring your skills into the big leagues and be a true stand out on the judges table.

Wolf WR1 - #8075 - REALLY, REALLY BIG Photoetch Set
Designed for the fabulous Tamiya Wolf WR1 F1 1:12th scale kit (#12060). The Scale Motorsport Photoetch Set has a mountain of details included in 3 separate jam packed sheets from Tow Hooks - Turbo Shields - Turbo Details - Cockpit Details - Firewall Details - Chassis Plate - Escutcheon Plate Details - Oil Tank Cap - Body Fasteners - Coil Straps - Coil Mount - Dry Break Details - Cockpit Center - Door Hinges - Air Jack - Air Jack Details - Wheel Locks - Intercooler - Brake Pedal Shaft - Clutch Pedal Shaft - Accelerator Pedal - Plus many more details! Fret sizes in our "Really Big" Photoetch Series measures 3-7/8" x 8-1/2" (98.4mm x 215.9mm). So large, we had to develop all new packaging to safely protect each fret! Price for Photoetch only. Plastic model kit not included.

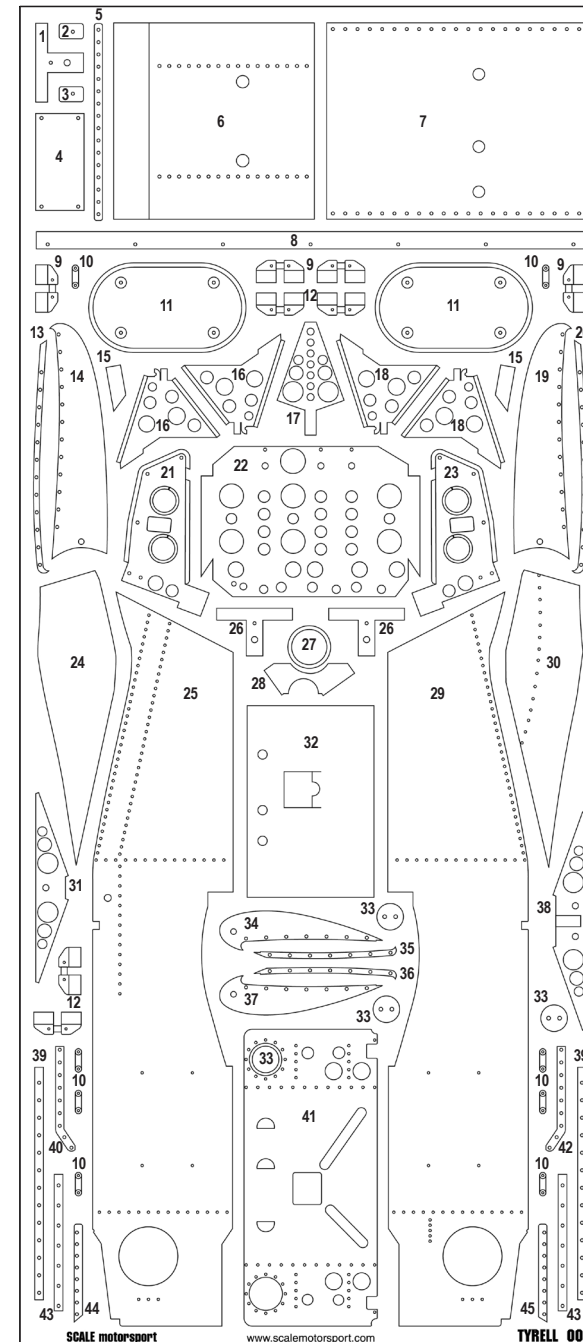
Shelby GT500 #8080 - American Torque Thrust Wheel Package and Extensive Photoetch Set
Perhaps the most iconic American sports car your Shelby GT500 kit from Revell (85-2623) needs the full Scale Motorsport treatment. Our detail set provides full American Torque Thrust Wheel Components and extensive BIG SCALE Photoetch details. Other Scale Motorsport Shelby GT500 details include:

#7080 - Exterior Carbon Fiber Template Set to enhance the Hood, Roof, Trunk & Spoiler
#1984 - Interior Upholstery Pattern Decal Package captures the iconic checkerboard pattern

Visit www.scalemotorsport.com for the complete rundown on all the details for your next build!

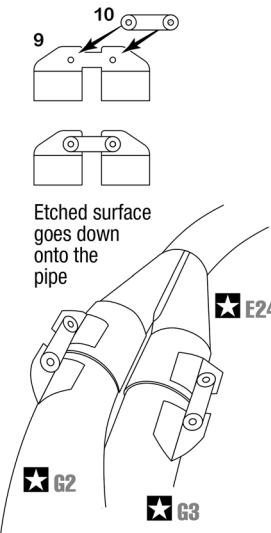
SCALE motorsport Tyrell 003 Designed for Tamiya 1/12 Tyrell 003 Kit SKU: 8090

Scale Motorsport
PO Box 1768
Shelter Island, New York 11964
516-830-0821
www.scalemotorsport.com



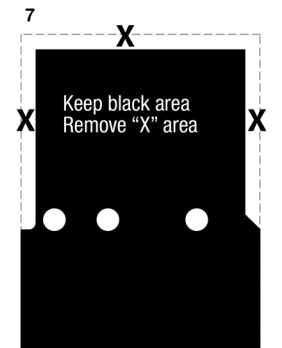
- | | |
|----------------------------|---------------------------|
| 1 Pedal assembly detail | 24 Tub left arm rest |
| 2 Radiator bracket detail | 25 Tub right wall |
| 3 Radiator bracket detail | 26 Pedal assembly detail |
| 4 Foot rest | 27 Center dash gauge rim |
| 5 Cockpit tub detail | 28 Pedal assembly detail |
| 6 Cockpit Floor | 29 Tub left wall |
| 7 Cockpit Floor | 30 Tub right arm rest |
| 8 Wickerbill | 31 Pedal assembly detail |
| 9 Exhaust bracket | 32 Front inner bulkhead |
| 10 Exhaust bracket detail | 33 Brake caliper detail |
| 11 Tub wall detail | 34 Rear wing detail |
| 12 Exhaust bracket | 35 Rear wing detail |
| 13 Rear wing detail | 36 Rear wing detail |
| 14 Rear wing detail | 37 Rear wing detail |
| 15 Radiator bracket detail | 38 Pedal assembly detail |
| 16 Air box mounts | 39 Rear wing detail |
| 17 Pedal assembly detail | 40 Tub left wall detail |
| 18 Air box mounts | 41 Front bulkhead outside |
| 19 Rear wing detail | 42 Tub right wall detail |
| 20 Rear wing detail | 43 Rear wing detail |
| 21 Radiator bracket | 44 Inner bulkhead detail |
| 22 Pedal assembly base | 45 Inner bulkhead detail |
| 23 Radiator bracket | |

★ Denotes Tamiya part



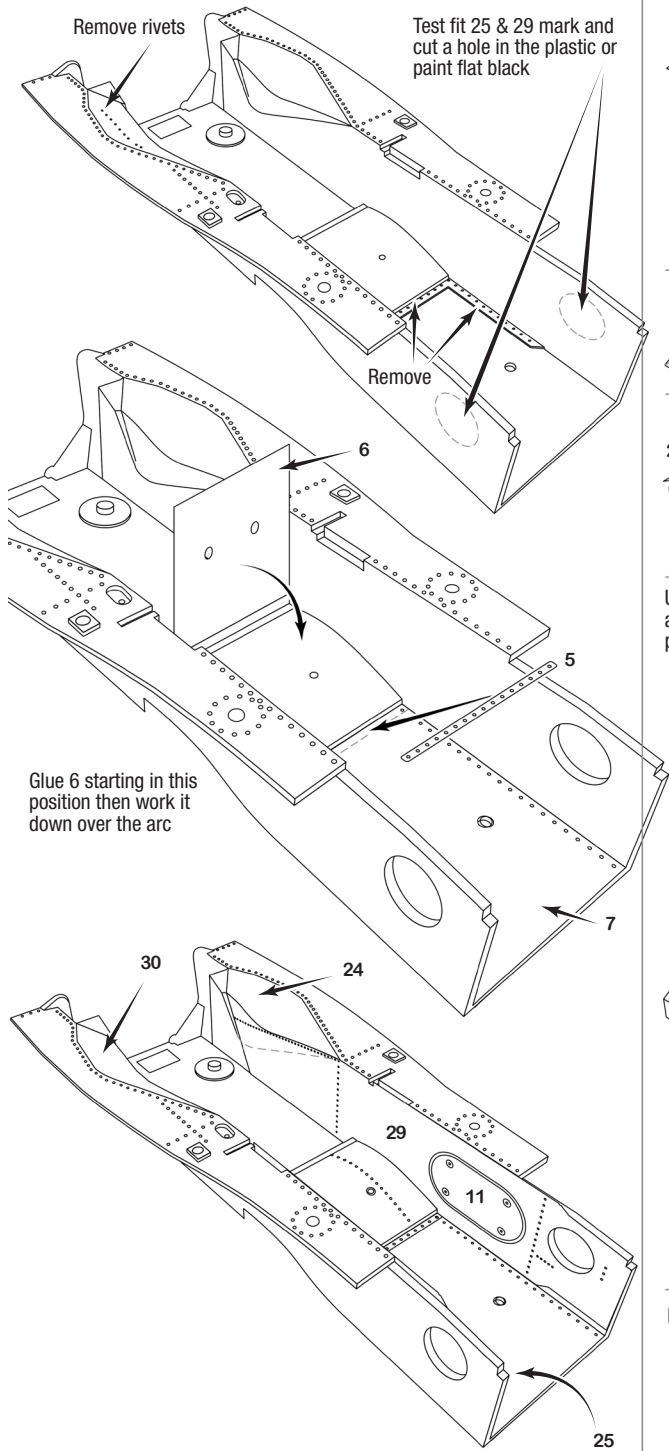
Use the template below if you do not want to remove the molded in detail on the floor of the tub

The material is very thin and can be cut with an exacto or scissors

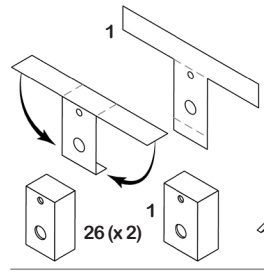


BE A BUILDER

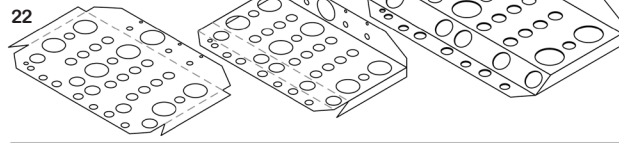
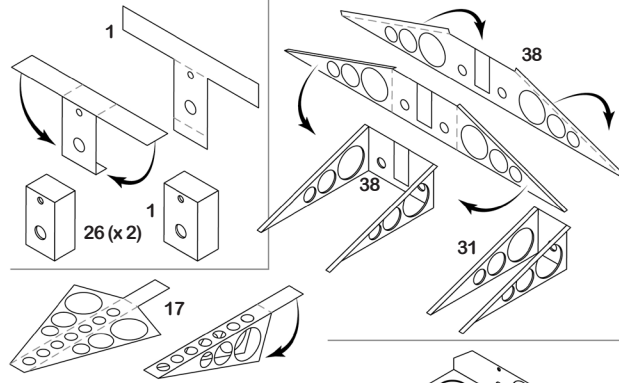
Complete this step before step 3 through 5



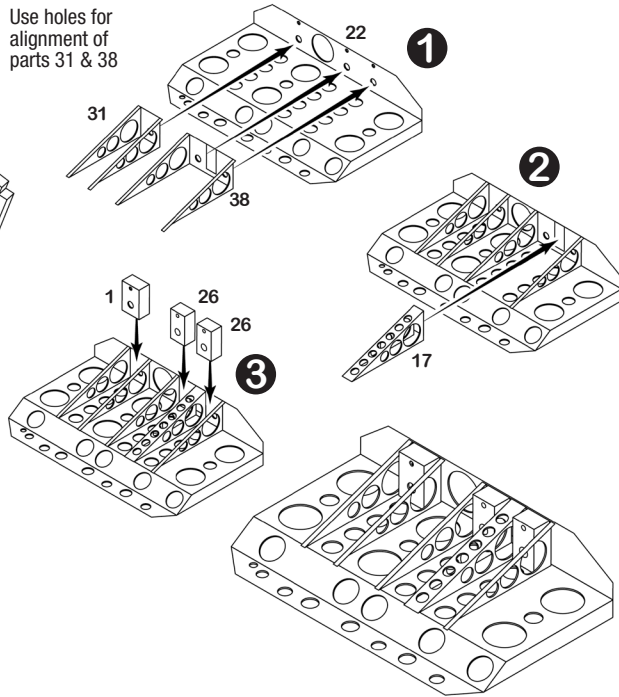
Parts 1 & both 26 same process



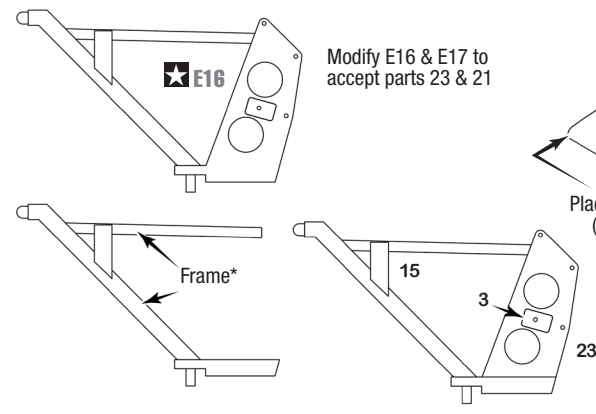
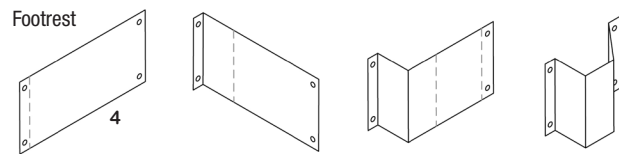
Parts 31 & 38 same process



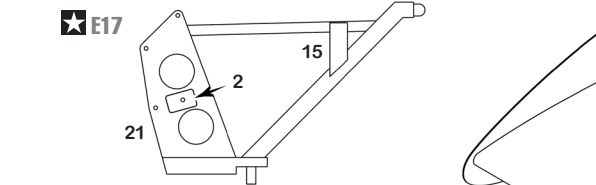
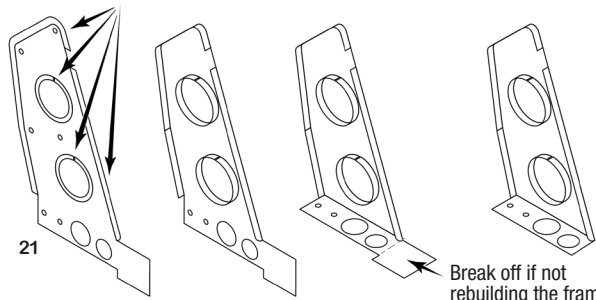
Use holes for alignment of parts 31 & 38



Footrest



Run the handle of an exacto knife around the outer edge and push out the inner rings



Place part 4 by the clutch pedal. 4 will be on-top of part 11

