



Mustang GT500

Designed for Revell 1/12 2010 Ford Shelby GT 500

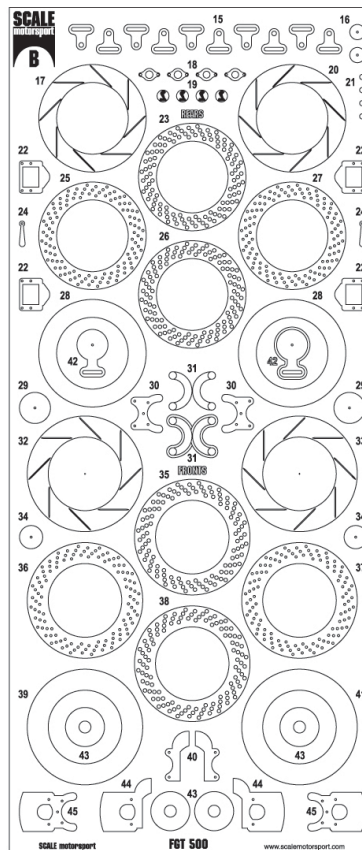
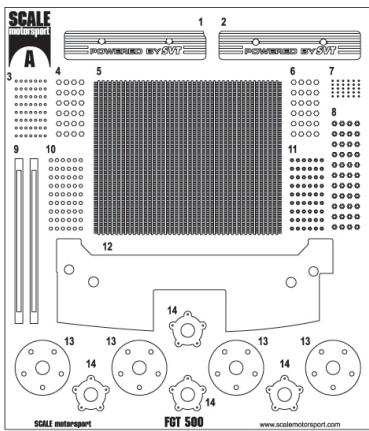
SKU: 8080

Scale Motorsport

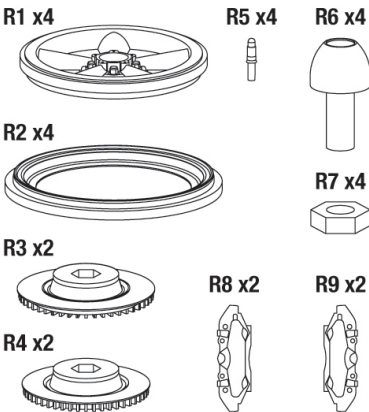
PO Box 1768

Shelter Island, New York 11964

www.scalemotorsport.com

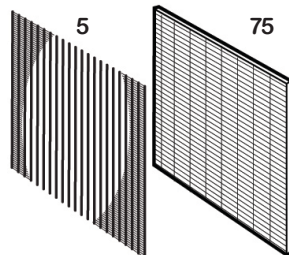


- A1 Right Valve Cover
- A2 Left Valve Cover
- A3 Misc. Bolts Heads
- A4 Valve Cover Bolt Heads
- A5 Radiator
- A6 Caliper Bolt Heads
- A7 Rim Cap Screws
- A8 Valve Cover Bolt Heads
- A9 Intake Clamps
- A10 Misc. Bolts Heads
- A11 Misc. Bolts Heads
- A12 Radiator Cover
- A13 Brake Hub Face
- A14 Rim Cap Base
- B15 Seatbelt Clasps
- B16 Seatbelt Lock Detail
- B17 Left Rear Disc Face Slotted
- B18 Valve Cover Detail
- B19 Rim Cap Insert
- B20 Right Rear Disc Face Slotted
- B21 Seatbelt Lock Detail
- B22 Seatbelt Shoulder Adjuster
- B23 Left Rear Disc Face Drilled A
- B24 Seatbelt Lock Lever
- B25 Right Rear Disc Face Drilled B
- B26 Right Rear Disc Face Drilled A
- B27 Left Rear Disc Face Drilled B
- B28 Rear Disc Face Plain
- B29 Seatbelt Lock Detail
- B30 Rear Brake Caliper Mount
- B31 Rear Brake Caliper Mount
- B32 Left Front Disc Face Slotted
- B33 Right Front Disc Face Slotted
- B34 Seatbelt Lock Detail
- B35 Left Front Disc Face Drilled A
- B36 Right Front Disc Face Drilled B
- B37 Left Front Disc Face Drilled B
- B38 Right Front Disc Face Drilled A
- B39 Front Disc Face Plain
- B40 Front Brake Caliper Mount
- B41 Front Disc Face Plain
- B42 Seatbelt Lock Base
- B43 Axle Pin Retainer
- B44 Front Brake Caliper Mount
- B45 Rear Brake Caliper Mount

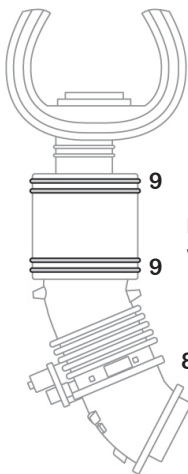
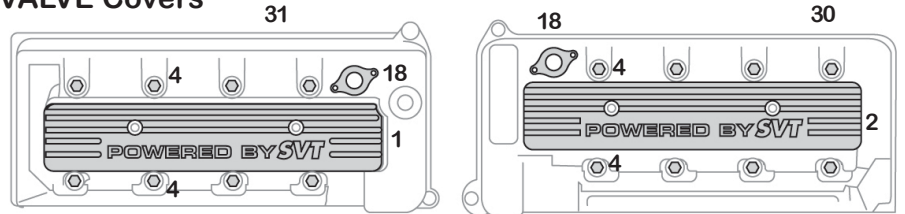


BUILD SOMETHING!

RADIATOR



VALVE Covers

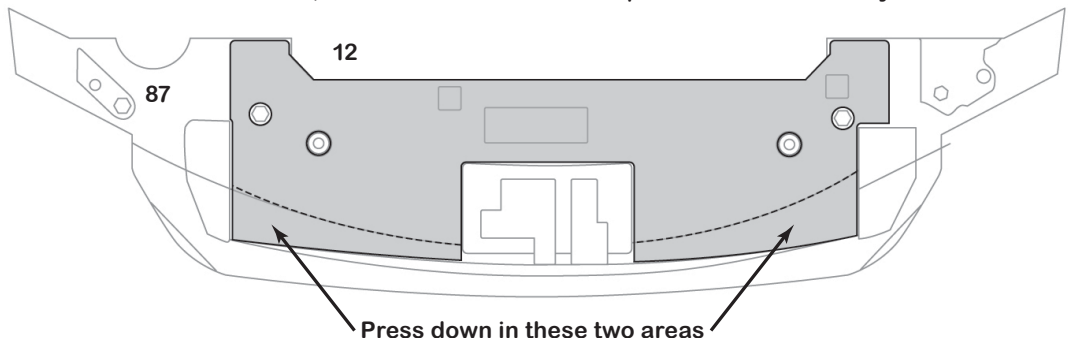


AIR Intake

Remove molded brackets, replace with parts 9

RADIATOR Cover

Part can remain chrome, cover with carbon fiber or paint to match the body color.

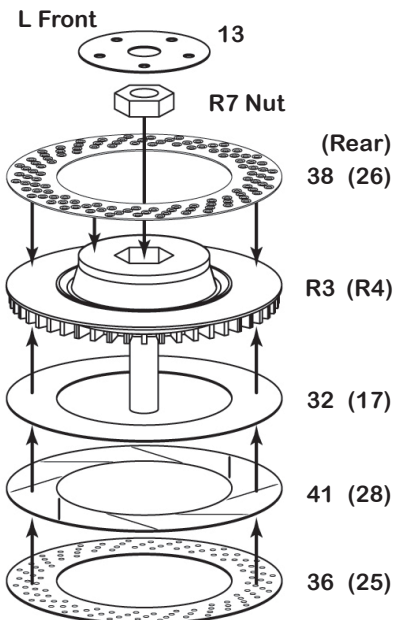
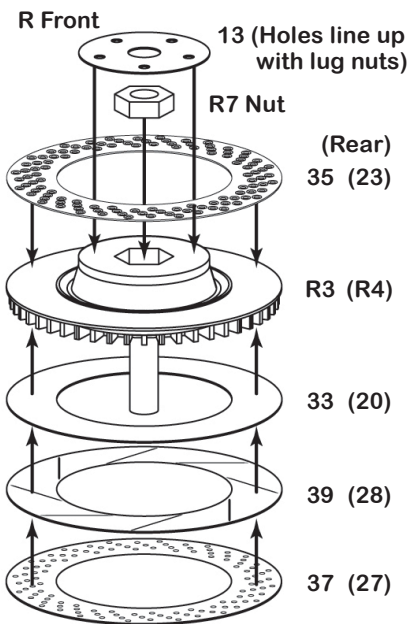
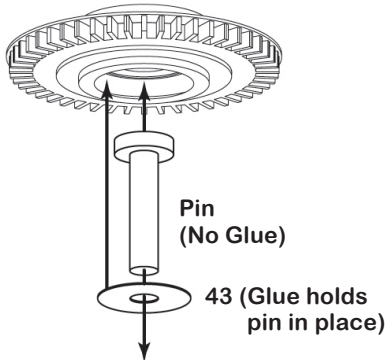


Press down in these two areas

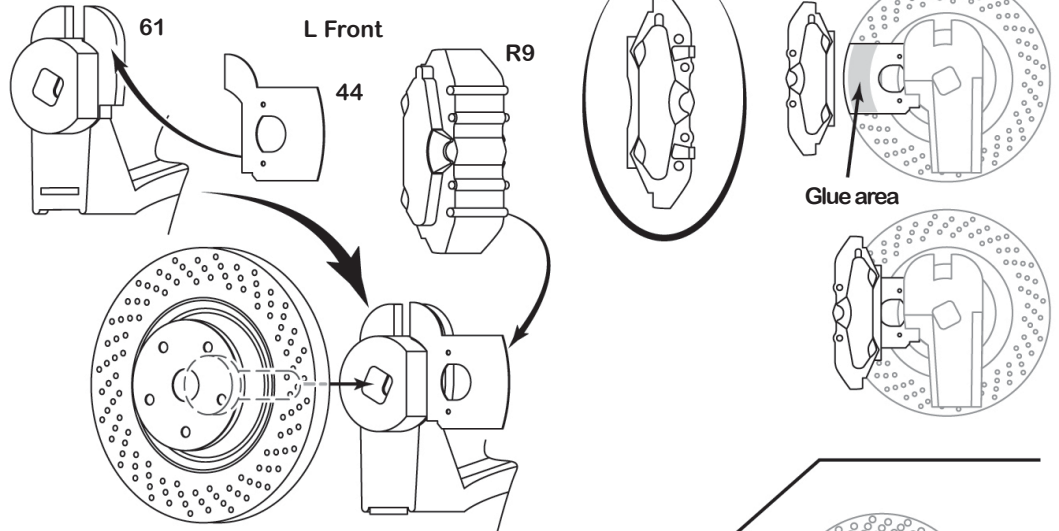
ROTOR Assembly

Select the desired rotor surface.
Use the remaining rotors stacking
on the back to achieve the
correct thickness.

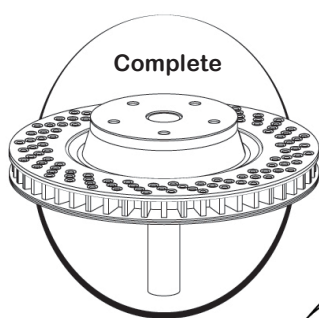
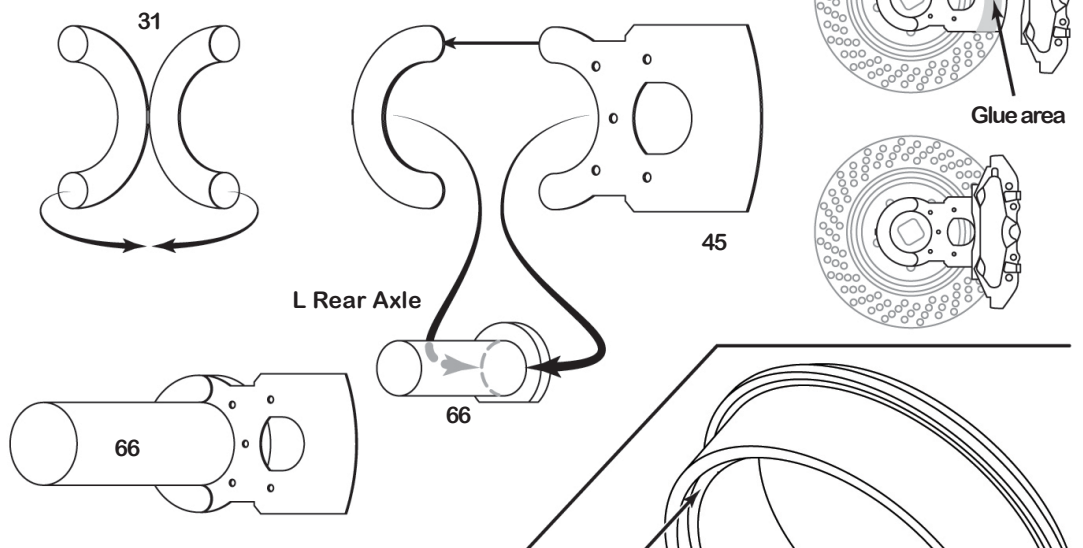
Large Resin Rotor/Hub



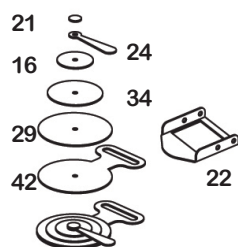
FRONT Rotor & Caliper Assembly



REAR Rotor & Caliper Assembly



SEATBELTS



RIM Assembly

