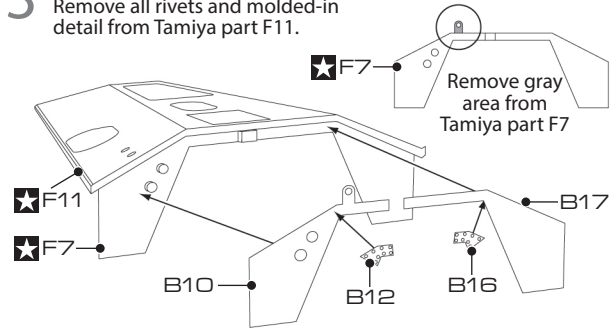
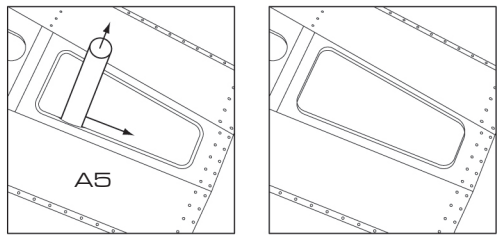


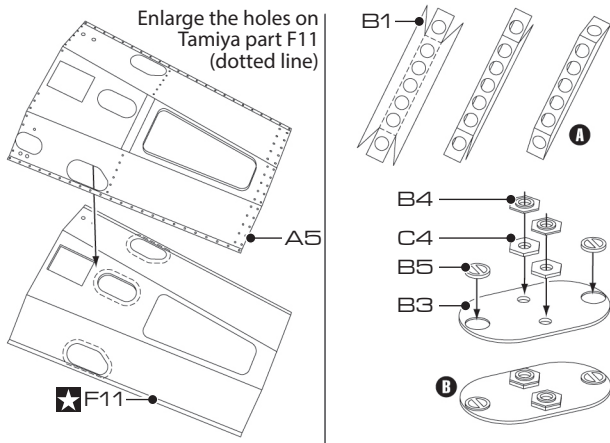
**3** Cockpit Part B  
Remove all rivets and molded-in detail from Tamiya part F11.



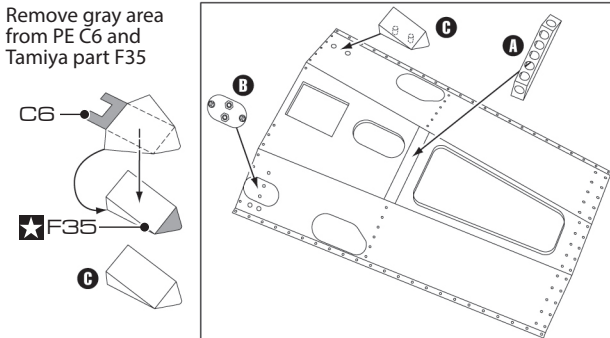
Use an Xacto handle, or round file handle to bend the lip of part A5. Push up, work your way around the entire lip.



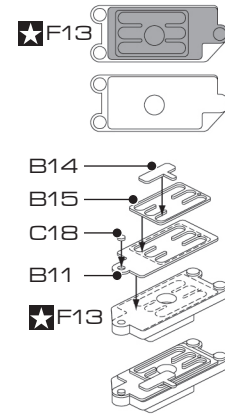
Enlarge the holes on Tamiya part F11 (dotted line)



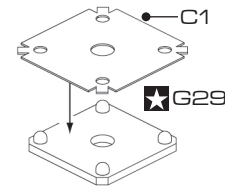
Remove gray area from PE C6 and Tamiya part F35



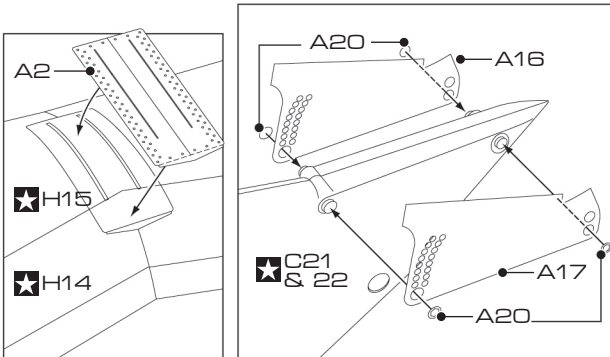
**5** Shift Gate  
Sand Tamiya part F13 smooth



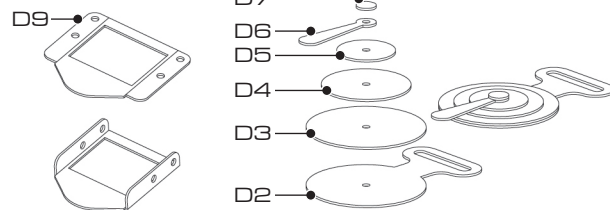
**23** Rear Wheel Stopper



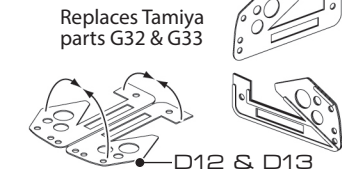
**29** Rear Wing  
Remove all rivets from Tamiya part H14 and H15



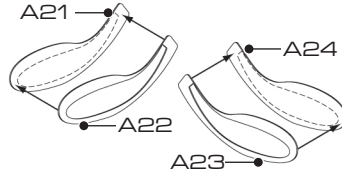
Seatbelts



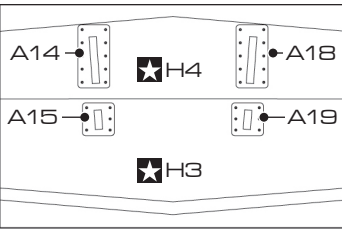
**33** Front Wing



Replaces Tamiya part H5  
Tamiya part H6



Remove all rivets from Tamiya parts H3 and H4 (mounting plates underside of front wing)



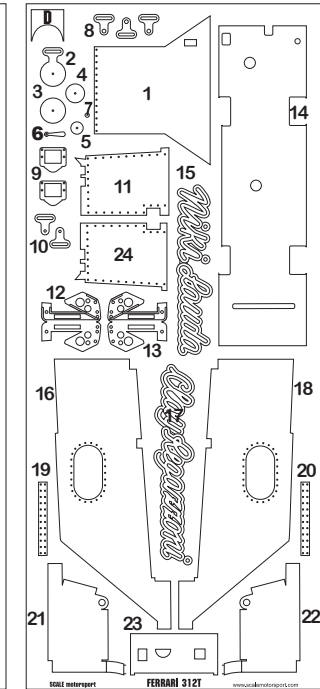
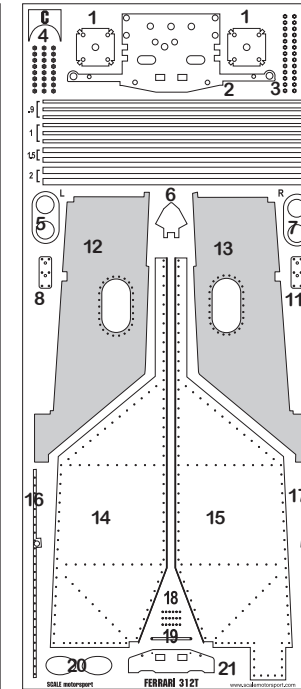
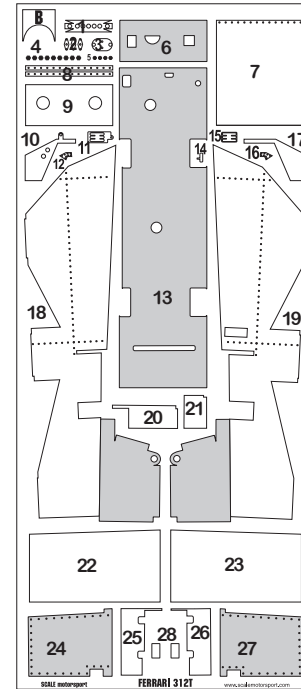
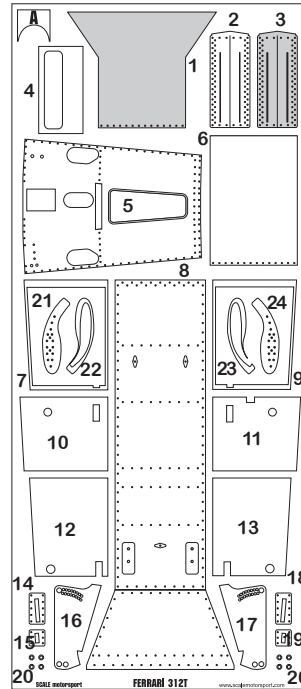
**31**



**Ferrari 312T**

Designed for Tamiya 1/12 Ferrari 312T Kit

SKU: 8070



- |                                      |                                 |                            |                                |
|--------------------------------------|---------------------------------|----------------------------|--------------------------------|
| A1 Not Used                          | B1 Detail for A5                | C1 RearWheel Stopper       | D1 Cockpit Floor (Upper Back)  |
| A2 Rear Wing Mount Plate             | B2 Detail for A5                | C2 Front Firewall          | D2 Seatbelt Buckle             |
| A3 Not Used                          | B3 Detail for A5                | C3 Nuts                    | D3 Seatbelt Buckle             |
| A4 Cockpit Floor (Fire Extinguisher) | B4 Detail for A5                | C4 Nuts                    | D4 Seatbelt Buckle             |
| A5 Cockpit Top Front                 | B5 Detail for A5                | C5 Left Fuel Filler Plate  | D5 Seatbelt Buckle             |
| A6 Cockpit Floor                     | B6 Not Used                     | C6 Detail for A5           | D6 Seatbelt Buckle             |
| A7 Chassis OuterPlate                | B7 Cockpit Floor                | C7 Right Fuel Filler Plate | D7 Seatbelt Buckle             |
| A8 UndertrayCenter                   | B8 Cockpit Floor                | C8 Undertray Detail        | D8 Seatbelt Clasps             |
| A9 Chassis OuterSide                 | B9 Cockpit Floor (SeatMount)    | C9 Undertray Right Side    | D9 Seatbelt Shoulder Adjusters |
| A10 Chassis OuterSide                | B10 Dash Face                   | C10 Undertray Left Side    | D10 Seatbelt Chassis Mounts    |
| A11 Chassis OuterSide                | B11 Shift Plate                 | C11 Undertray Detail       | D11 Chassis OuterSide          |
| A12 Chassis OuterSide                | B12 Dash Bracket                | C12 Not Used               | D12 Front Wing Mount           |
| A13 Chassis OuterSide                | B13 Not Used                    | C13 Not Used               | D13 Front Wing Mount           |
| A14 Front Wing Mount Plate           | B14 Reverse Lockout             | C14 Undertray Right Side   | D14 Rear Firewall              |
| A15 Front Wing Mount Plate           | B15 Shift Plate                 | C15 Undertray Left Side    | D15 Driver Plaque              |
| A16 Rear Wing Stay                   | B16 Dash Bracket                | C16 Chassis Top Detail     | D16 Top Chassis Right Side     |
| A17 Rear Wing Stay                   | B17 Dash Face                   | C17 Chassis Top Detail     | D17 Driver Plaque              |
| A18 Front Wing Mount Plate           | B18 Cockpit Left Side (Modify)  | C18 Firewall Detail        | D18 Top Chassis Left Side      |
| A19 Front Wing Mount Plate           | B19 Cockpit Right Side (Modify) | C19 Firewall Detail        | D19 Chassis Detail             |
| A20 Rear Wing Stay Nuts              | B20 Pedal Housing               | C20 Mirror Faces           | D20 Chassis Detail             |
| A21 Front Wing Endplate              | B21 Pedal Housing               | C21 Firewall Detail        | D21 Top Chassis Plate          |
| A22 Front Wing Endplate              | B22 Chassis OuterSide           |                            | D22 Top Chassis Plate          |
| A23 Front Wing Endplate              | B23 Chassis OuterSide           |                            | D23 Pedal Base                 |
| A24 Front Wing Endplate              | B24 Not Used                    |                            | D24 Chassis Outer Side         |

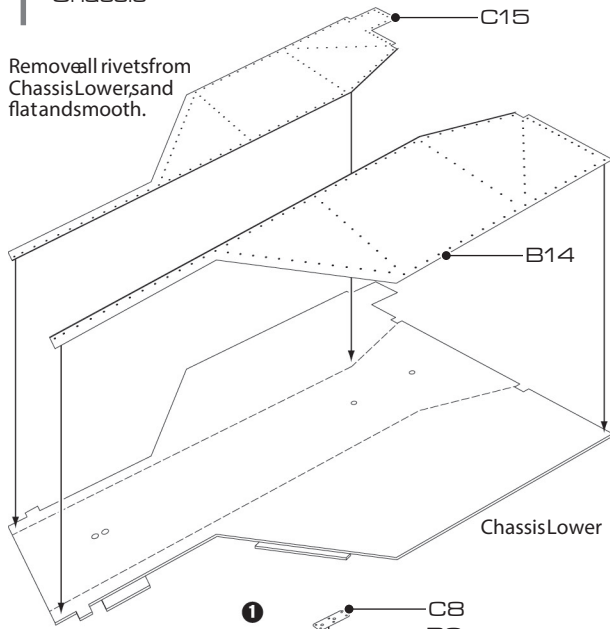
★ Denotes Tamiya Part  
■ Parts Not Used

**BUILD SOMETHING!**

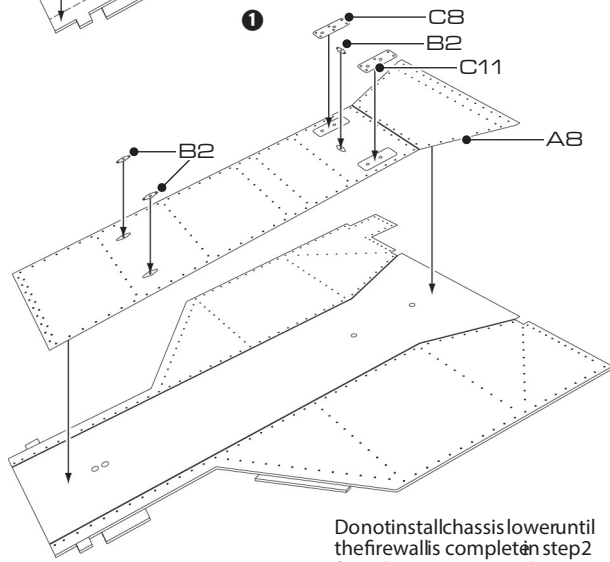
Scale Motorsport  
PO Box 1768  
Shelter Island, New York 11964  
customerservice@scalemotorsport.com  
www.scalemotorsport.com

# 1 Chassis

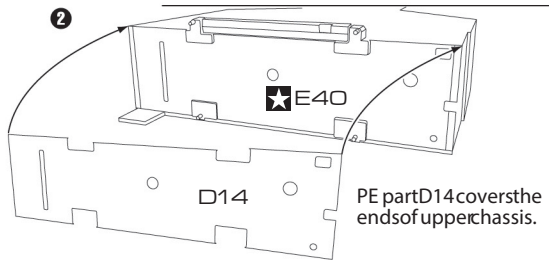
Remove all rivets from Chassis Lower, sand flat and smooth.



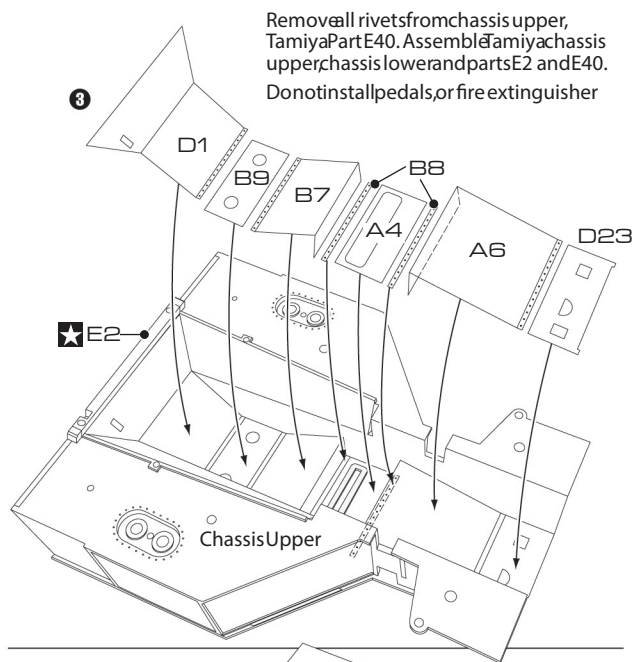
Chassis Lower



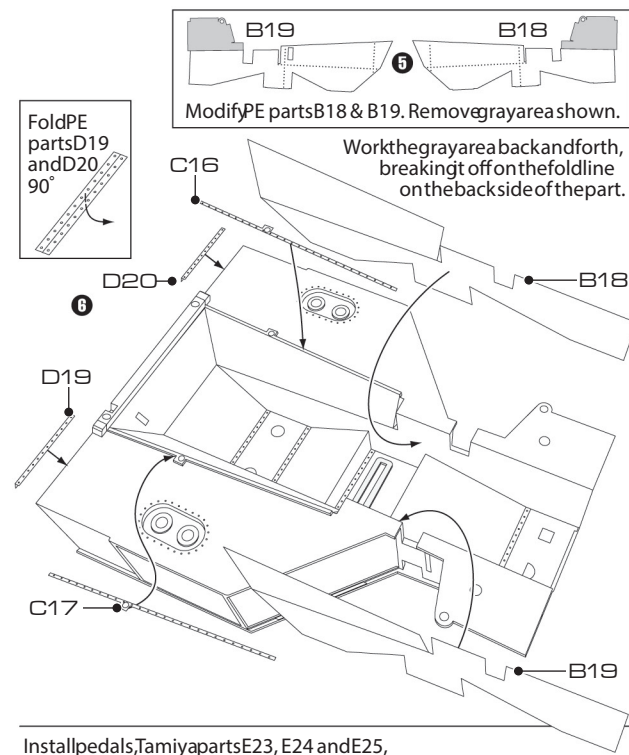
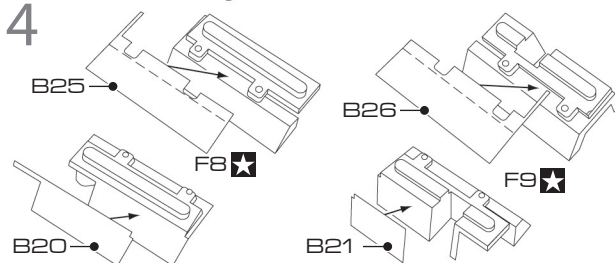
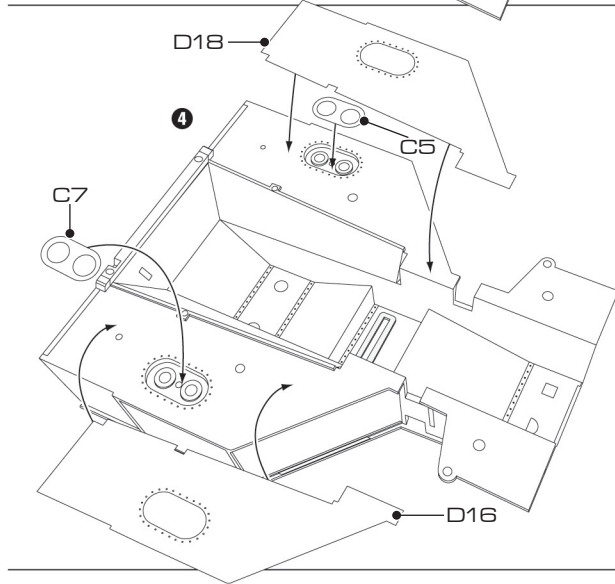
Do not install chassis lower until the firewall is complete in step 2 from the Tamiya manual.



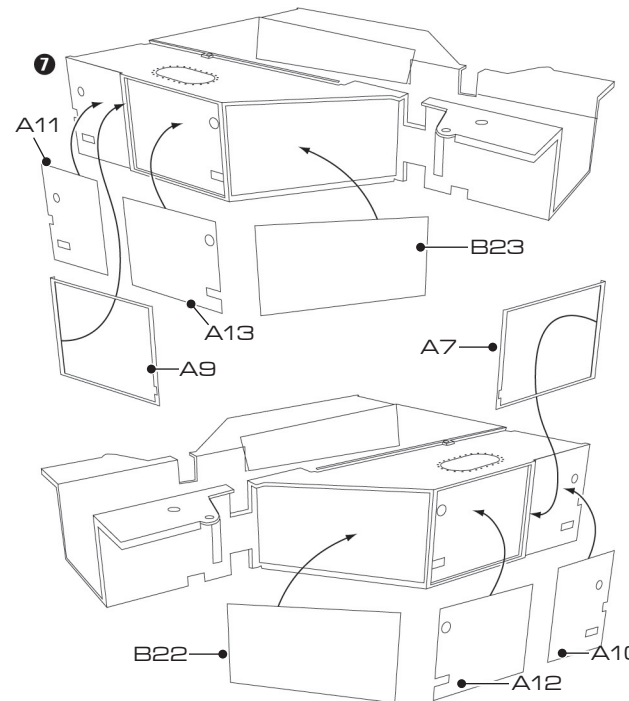
PE part D14 covers the end of upper chassis.



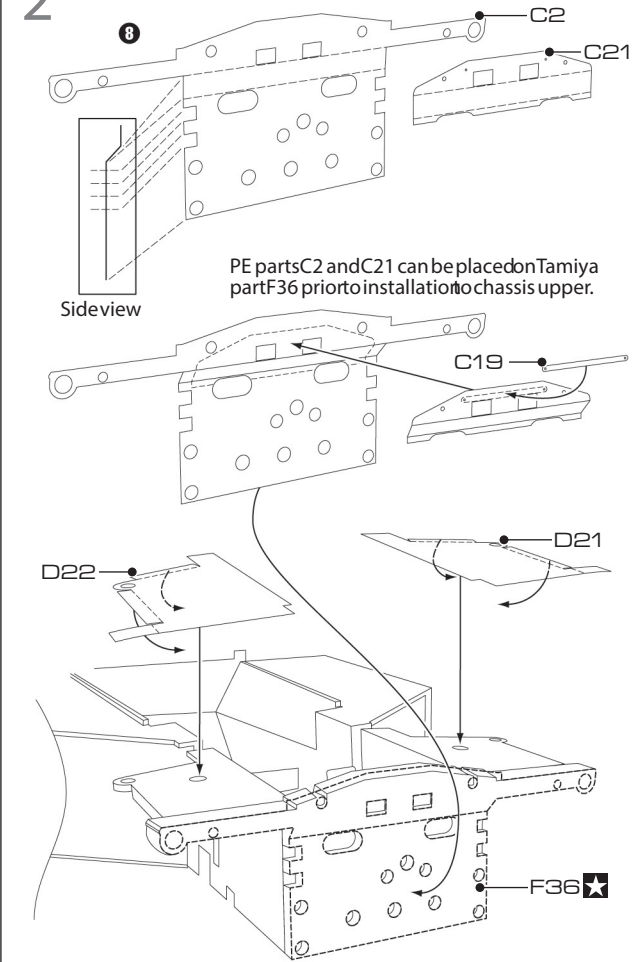
Remove all rivets from chassis upper, Tamiya Part E40. Assemble Tamiya chassis upper, chassis lower and parts E2 and E40. Do not install pedals, or fire extinguisher



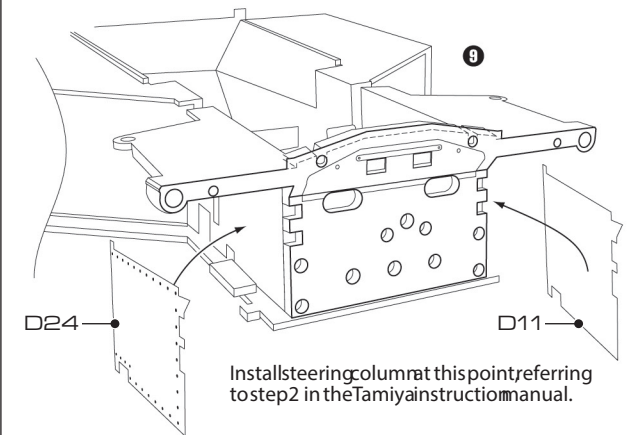
Install pedals, Tamiya parts E23, E24 and E25, and fire extinguisher Tamiya part E27



# 2



Install Tamiya Part chassis lower after parts D24 and D11 are in position.



Install steering column at this point referring to step 2 in the Tamiya instruction manual.