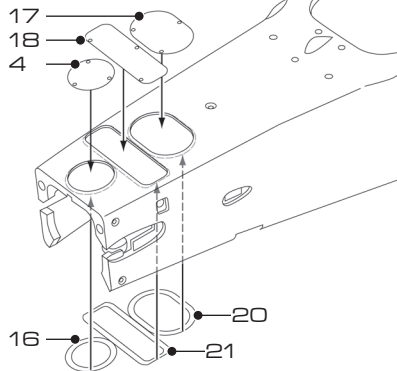
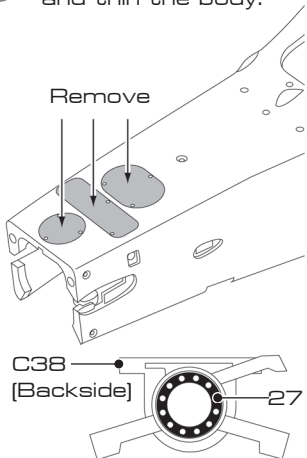


## BUILD SOMETHING!

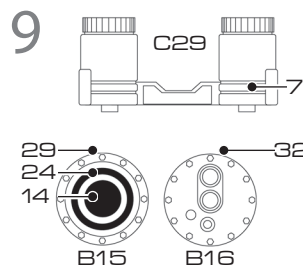
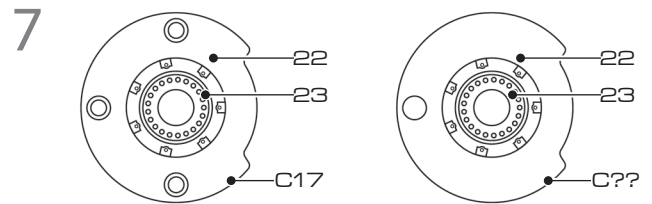
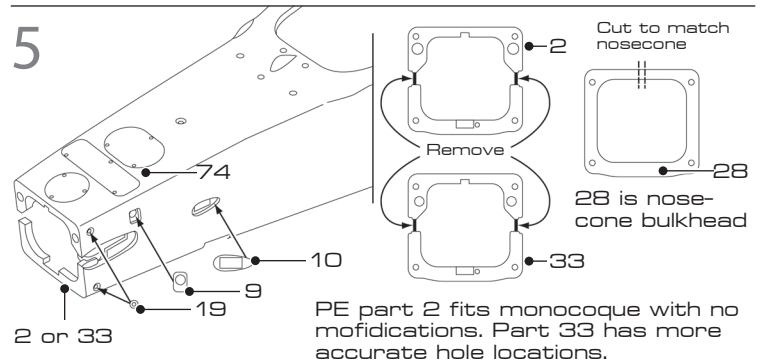
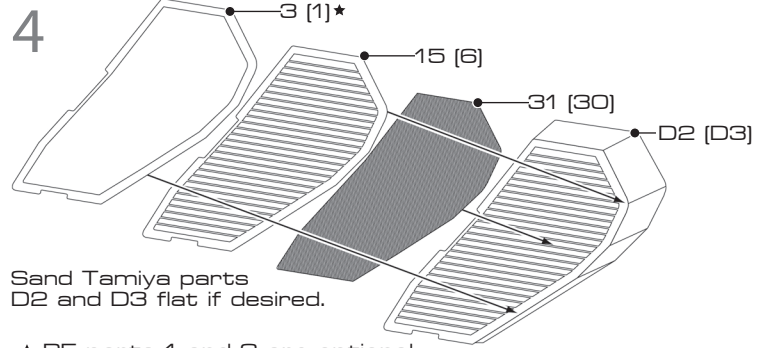
- |                             |                           |
|-----------------------------|---------------------------|
| 1 Radiator Frame            | 18 Monocoque Panel        |
| 2 Cockpit Bulkhead (No Mod) | 19 Body Rivets            |
| 3 Radiator Frame            | 20 Monocoque Panel Lip    |
| 4 Monocoque Panel           | 21 Monocoque Panel Lip    |
| 5 Mirror Face               | 22 Hub Detail             |
| 6 Radiator                  | 23 Hub Detail             |
| 7 Fluid Reservoir Bands     | 24 Dry Break Detail       |
| 8 Suspension Mount Plate    | 25 Exhaust Shield         |
| 9 Suspension Mount Plate    | 26 Exhaust Shield         |
| 10 Suspension Mount Plate   | 27 Steering Wheel Detail  |
| 11 Front Wing Brace Plate   | 28 Nose Bulkhead          |
| 12 Front Wing Brace Plate   | 29 Dry Break Detail       |
| 13 Front Wing Brace         | 30 Radiator               |
| 14 Dry Break Detail         | 31 Radiator               |
| 15 Radiator                 | 32 Dry Break              |
| 16 Monocoque Panel Lip      | 33 Cockpit Bulkhead (Mod) |
| 17 Monocoque Panel          |                           |

**3** Remove molded in panels and thin the body.



Parts 16, 20 and 21 are the lip to hold parts 4, 17 and 18.

Step numbers are coordinated with Tamiya instructions.



Remove raised detail from B15 and B16

