



Scale Motorsport
 P.O. Box 823
 Newtown, CT 06470-2023
 USA

Fax: 203.426.7136
 customerservice@scalemotorsport.com
 www.scalemotorsport.com

This kit is not a toy, it is designed for the advanced builder or intermediate modeller interested in learning new techniques while expanding their modelling skills. Not safe for children under the age of 12 years.

To see other great Scale Motorsport products please visit our web site at: www.scalemotorsport.com

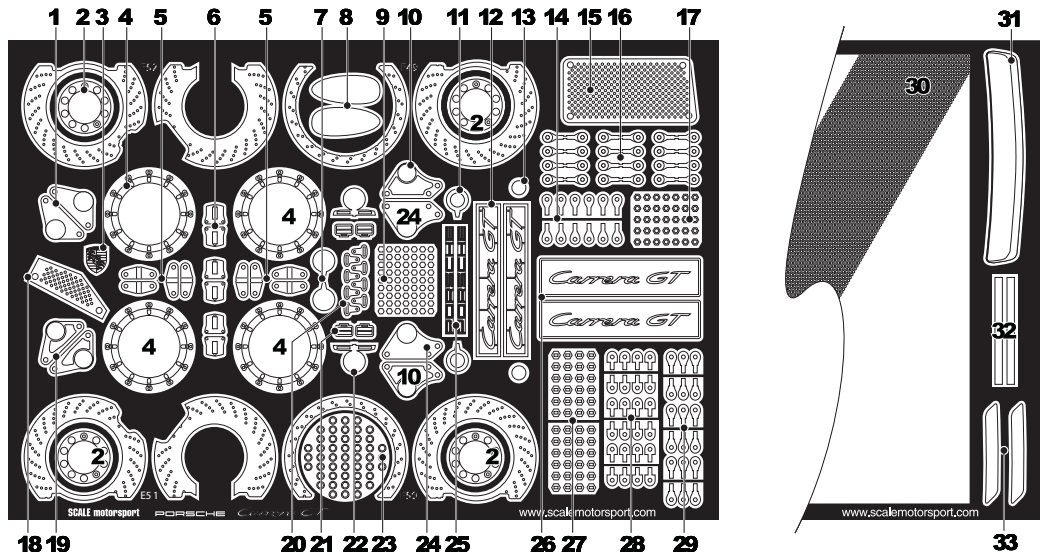
Enjoy your build!

Matthew Wells
 Scale Motorsport

Carrera GT sku#: #8018

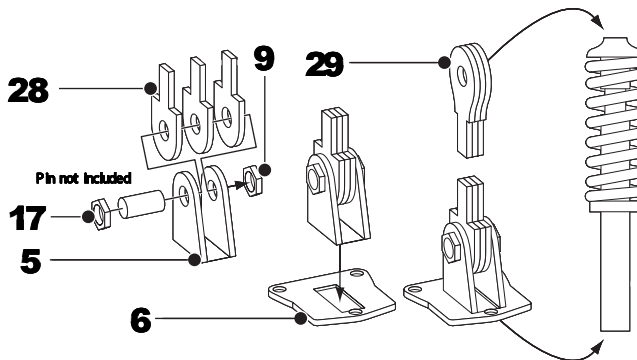
Parts List

- 1 Front Pivot Bottom
- 2 Wheel Hub Detail
- 3 Hood Badge
- 4 Wheel Hub Detail
- 5 Shock Mounts
- 6 Shock Mount Base
- 7 Seatbelt Clasp
- 8 Mirror Face
- 9 Shock Bolt Heads
- 10 Rear Pivot Top
- 11 Seatbelt Clasp
- 12 Badges
- 13 Seatbelt Clasp
- 14 Same part as 16
- 15 Passenger Foot Rest
- 16 Rod Ends
- 17 Shock Nuts
- 18 Driver Foot Rest
- 19 Front Pivot Top
- 20 Seatbelt buckles
- 21 Seatbelt Adjusters
- 22 Seatbelt Clasp
- 23 Washer & Nuts
- 24 Rear Pivot Bottom
- 25 Badges
- 26 License Plate
- 27 Jamb Nuts
- 28 Shock Ends
- 29 Shock Ends
- 30 Rear Engine Mesh
- 31 Rear Grill Mesh
- 32 Same part as 25
- 33 Door Sill Details

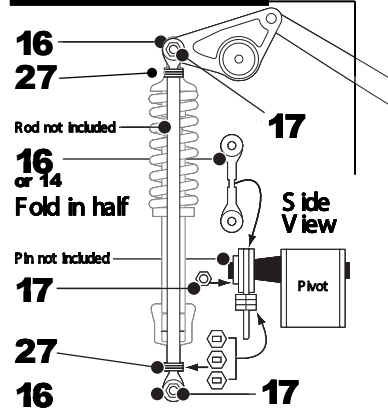


Shock Mounts

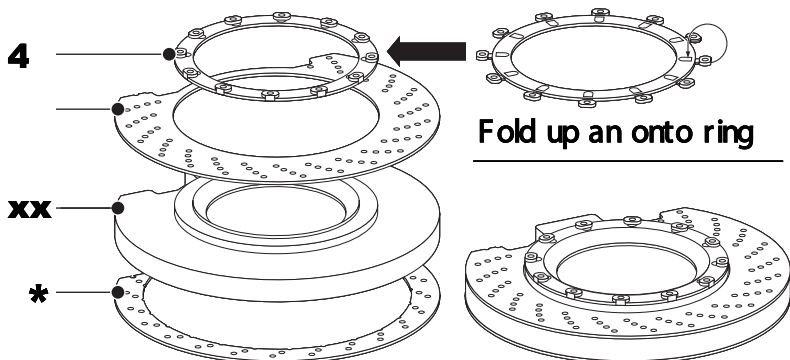
Remove top and bottom shock mounts.



Shock Detail



Brake Hubs & Discs



*Fret # corresponds to kit part number (XX)

Brake Hubs & Discs

Grey area is correct hub design. Requires fabrication, and alteration of Rims. Illustrates use of PE # 2

