



# Ferrari FXX Carbon Fiber

Designed for Tamiya FXX Kit No. 24292 SKU#8010

## Scale Motorsport

P.O. Box 823  
Newtown, CT 06470 USA  
customerservice@scalemotorsport.com  
www.scalemotorsport.com

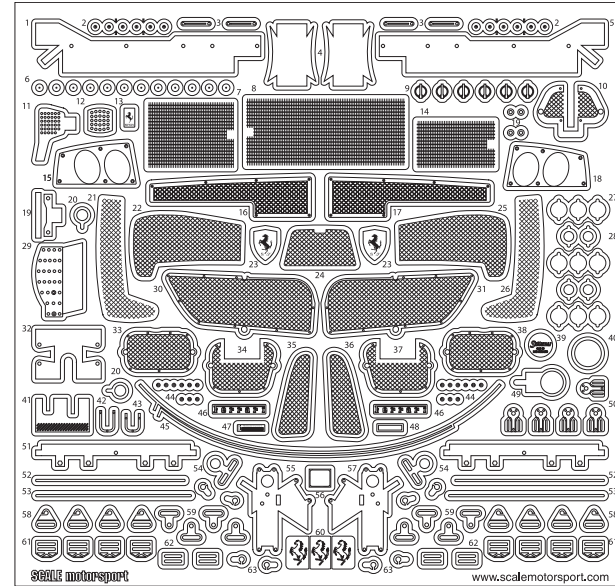
**This kit is not a toy, it is designed for the advanced or intermediate modeller. Not safe for children under the age of 12 years.**

The Ferrari FXX Registry web site: <http://www.fxxregistry.com/index.htm> lists 31 cars built, with Vin# 142163 assigned to Jean Todt. When asked about this unique copy, Ferrari doesn't acknowledge its existence! What made Jean Todt's car so special among the field of 30 other FXX cars, it's the only one finished in high gloss carbon fiber. The most special and unique FXX car among an already special and unique field of super cars from Maranello. In order to own one of these unique cars, you had to be recognized by Ferrari as a most valued client, among all Ferrari owners who are passionate about racing. Each copy would become a 'test' mule gathering a wealth of data vital to Ferrari's efforts in developing future race cars. Every owner becomes an official member of Team Ferrari. Scale Motorsport's FXX Carbon Fiber Super Detail Kit provides everything you need to turn Tamiya's masterpiece into the unique example of Jean Todt's Carbon Fiber FXX. Scale Motorsport is the world leader in carbon fiber decaling and the set we have designed for your FXX will turn even the novice builder into an advanced craftsman. Your Carbon Fiber FXX will be as unique to your collection as Jean Todt's car is to Ferrari. Enjoy your build!

Matthew Wells  
www.scalemotorsport.com

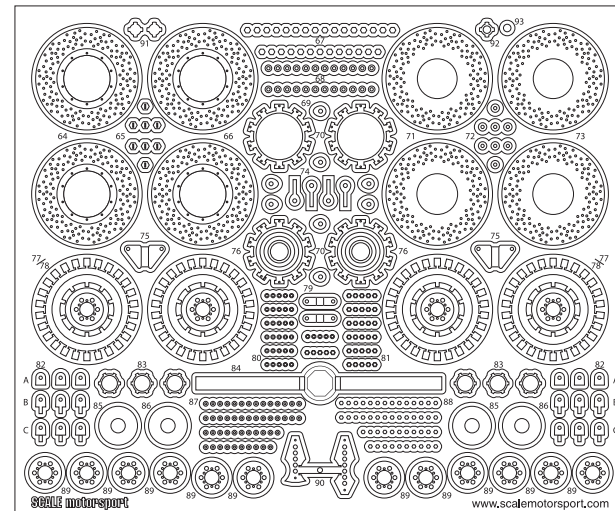
## Photo-Etch Parts List

1



2

Artwork not actual size

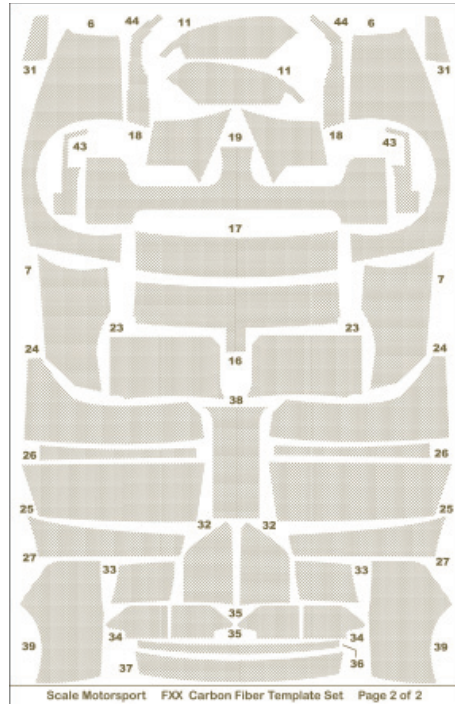
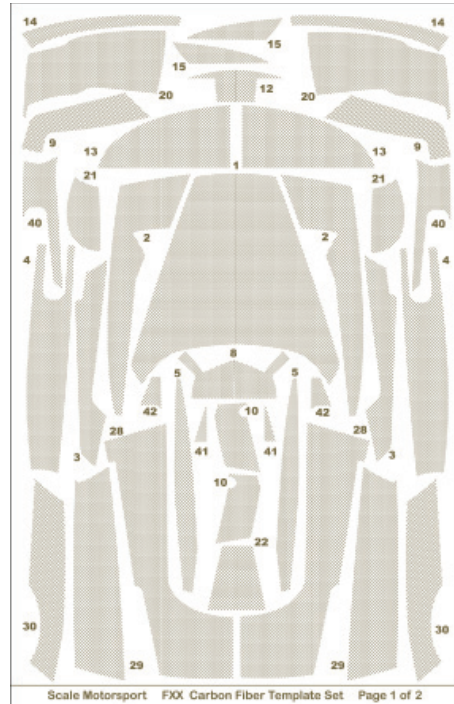


# BUILD SOMETHING!

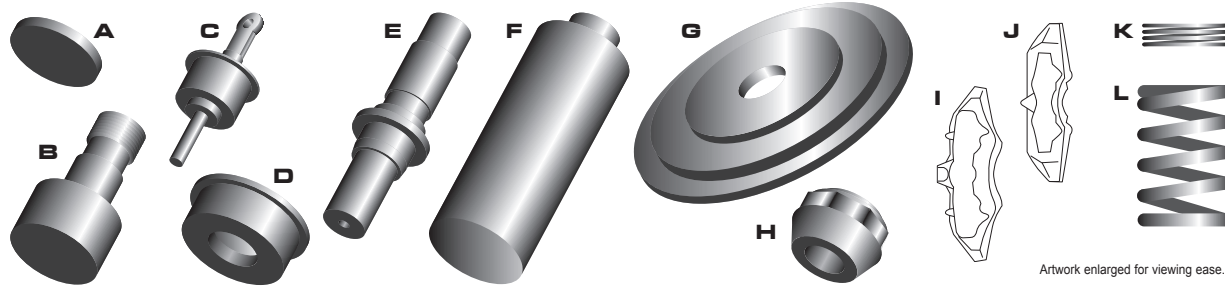
Photo-Etch Part numbers are followed by Tamiya part numbers if applicable and a brief description. Step numbers are coordinated with Tamiya instructions if applicable.

- |  |                              |
|--|------------------------------|
| 1 B17 Cam Cover Shield                   | 46 E19 Badges                |
| 2 G12 Windshield Rivets [Replaces Decal] | 47 ID Plate                  |
| 3 Wire Looms                             | 48 ID Plate                  |
| 4 A2/A3 Rear Tower Bases                 | 49 E31 Front Tow Hook        |
| 5 B23 Cam Cover Shield                   | 50 A4 Hood Pin Plate         |
| 6 G12 Windshield Rivets [Replaces Decal] | 51 F5 Fuel Rails             |
| 7 C31 Radiator Face                      | 52 E19 Detail                |
| 8 D16 Radiator Face                      | 53 E19 Detail                |
| 9 Hood Pins                              | 54 Seatbelt Clasp            |
| 10 A1 Rear Center Mesh                   | 55 A3 Right Tower            |
| 11 C25 Accelerator Pedal                 | 56 ID Plate                  |
| 12 C26 Brake Pedal                       | 57 A2 Left Tower             |
| 13 A4 Nose Badge                         | 58 Seat Belt Mounts          |
| 14 No Use                                | 59 Seat Belt Buckles         |
| 15 A1 Left Lens Panel                    | 60 A1 Center Rear Badge      |
| 16 A1 Left Rear Mesh                     | 61 Seat Belt Adjusters       |
| 17 A1 Right Rear Mesh                    | 62 Seat Belt Adjusters       |
| 18 A1 Right Lens Panel                   | 63 Seat Belt Mounts          |
| 19 E12 Electrical Box Strap              | 64 Front Disc [Outer Face]   |
| 20 Cam Lock Seatbelt                     | 65 E13 Engine Brace Jamb Nut |
| 21 B7 Mesh                               | 66 Rear Disc [Outer Face]    |
| 22 E8 Mesh                               | 67 Nut [Large]               |
| 23 A4 Fender Badge                       | 68 Washer [Large]            |
| 24 B22 Front Center Mesh                 | 69 E13 Engine Brace Hyme     |
| 25 E7 Grill                              | 70 Hub Detail                |
| 26 B14 Grill                             | 71 Front Disc [Inner Face]   |
| 27 B17/B23 Cam Cover                     | 72 E13 Engine Brace Washer   |
| 28 B17/B23 Cam Cover                     | 73 Rear Disc [Inner Face]    |
| 29 C25 Footrest                          | 74 E13 Engine Brace Hyme     |
| 30 B22 Left Front Mesh                   | 75 E13 Engine Brace Mount    |
| 31 B22 Right Front Mesh                  | 76 Spring Retainer           |
| 32 D9 Rear Shock Mount                   | 77 Disc Brake Vent           |
| 33 A1 Right Rear Upper Mesh              | 78 Hub Detail                |
| 34 A1 Left Rear Lower Mesh               | 79 E13 Engine Brace Mount    |
| 35 B21 Right Rear Mesh                   | 80 Washer [Small NBW]        |
| 36 B21 Left Rear Mesh                    | 81 Nut [Small NBW]           |
| 37 A1 Right Rear Lower Mesh              | 82 A,B,C Shock Mount         |
| 38 A1 Left Rear Upper Mesh               | 83 Shock Nut Detail          |
| 39 C28 Dry Break Face                    | 84 Lug Wrench                |
| 40 C28 Dry Break Ring                    | 85 Hub Detail                |
| 41 C26 Pedal Base Detail                 | 86 Hub Detail                |
| 42 C26 Pedal Base Detail                 | 87 Washer [Medium]           |
| 43 C26 Pedal Base Detail                 | 88 Bolt [Medium]             |
| 44 PE 16/17 Fasteners                    | 89 Hub Detail                |
| 45 G12 Windshield Defroster              | 90 E12 Tank Bracket          |

## Templated Carbon Fiber Decals



## Turned Metal & Resin Components



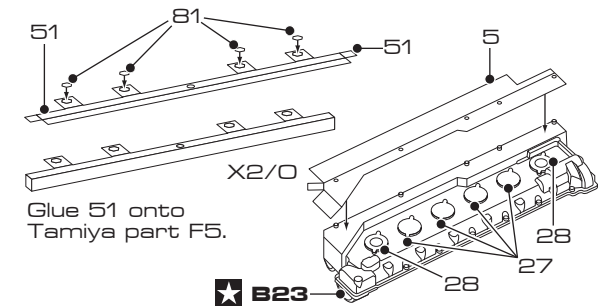
- A** Front Rim Spacer x 2
- B** Threaded Hub Shaft x 4
- C** Shock Top x 2
- D** Wheel Collar x 4
- E** Shock Body x 2
- F** Oil Tank? x 1

- G** Brake Disc Center x 4
- H** Threaded Wheel Nut x 4
- I** Resin Front Brake Calipers x 2
- J** Resin Rear Brake Calipers x 2
- K** Small Shock Spring x 2
- L** Large Shock Spring x 2

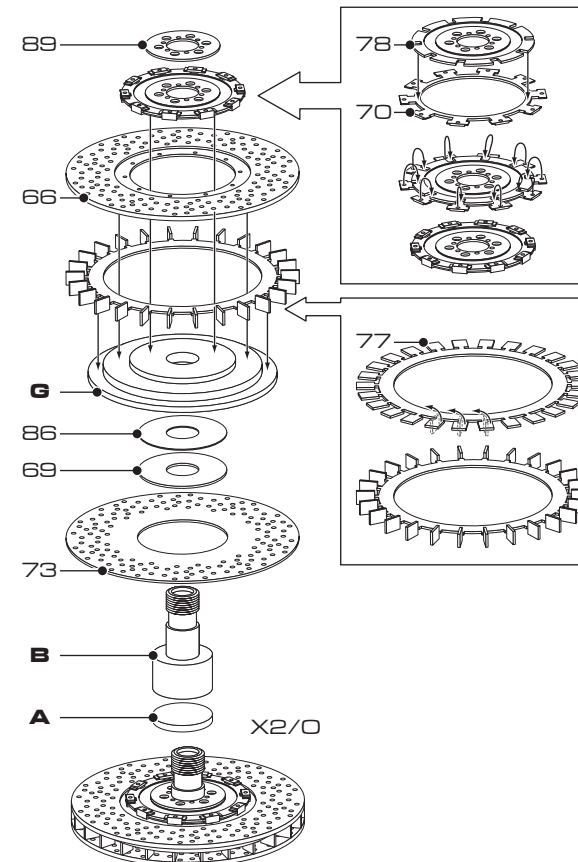
## Legend

- C26** - Tamiya part number
- X2 - Make two (2)
- X2/O - Make Two (2) left and right
- 51—● - PE part number
- A**—● - Resin or turned metal part
- X** - Remove and discard
- 3** - Step number coincides with Tamiya steps numbers

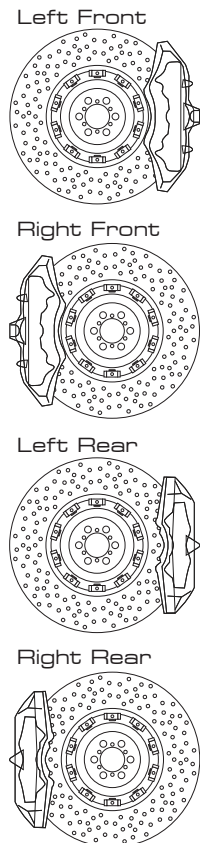
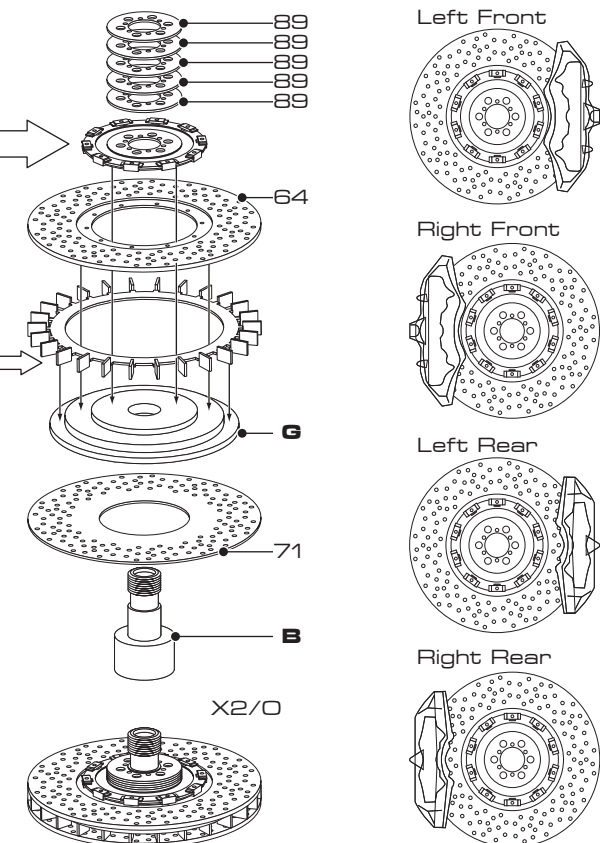
## 3 Fuel Rails



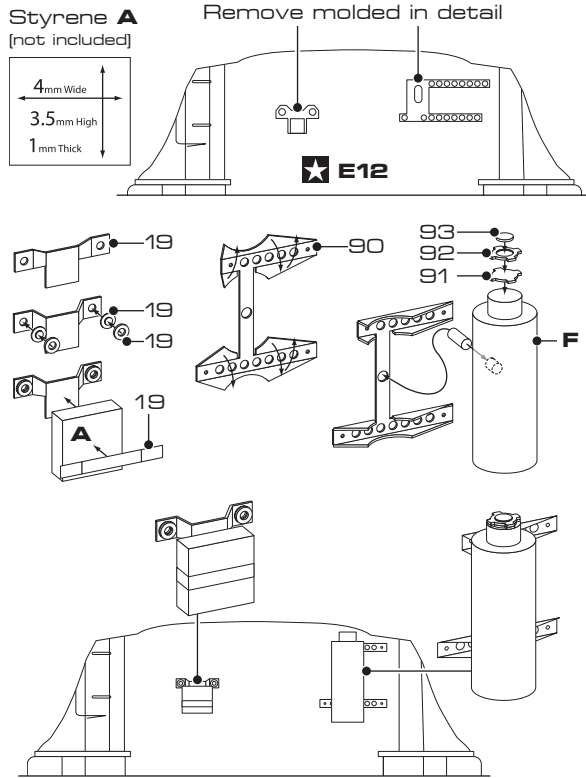
## 4 Rear Brake Disc & Calipers



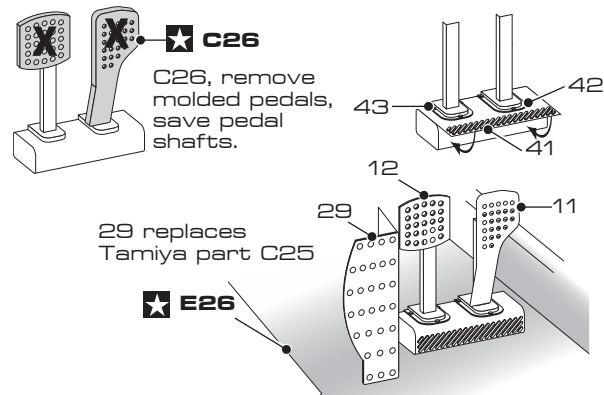
## 5 Front Brake Disc & Calipers



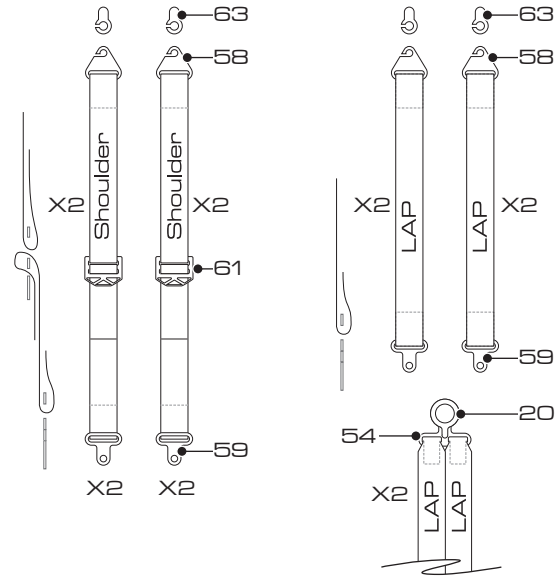
## 7 Firewall Details



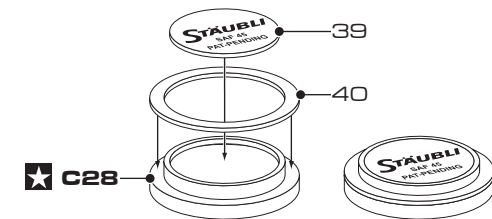
## 9 Drivers Foot Well



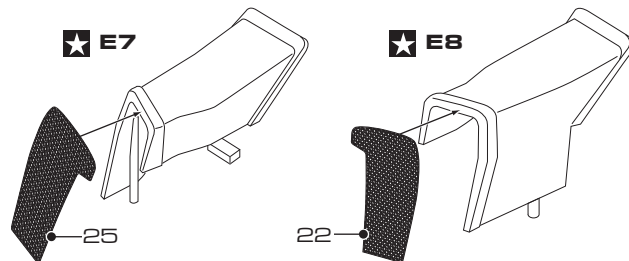
## 9 Seat Belts



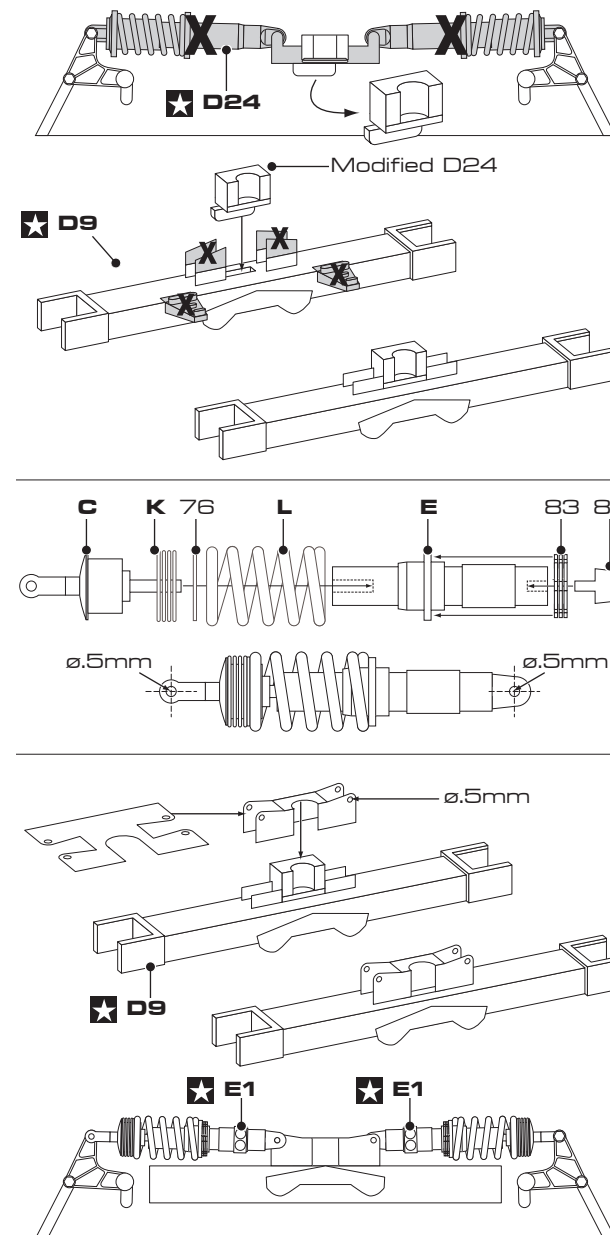
## 13 Fuel Filler



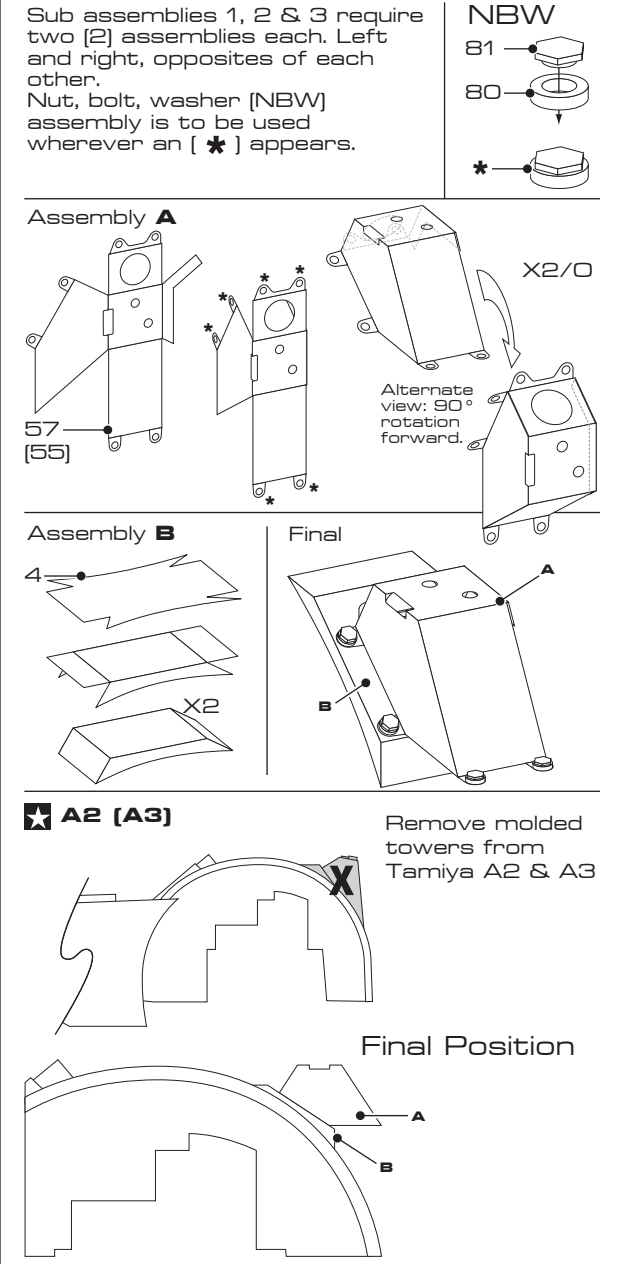
## 16 Air Intake Mesh



## 14 Rear Shock Assembly

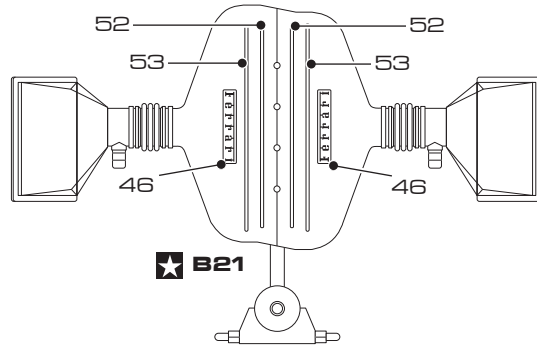


## 17 Rear Deck Towers

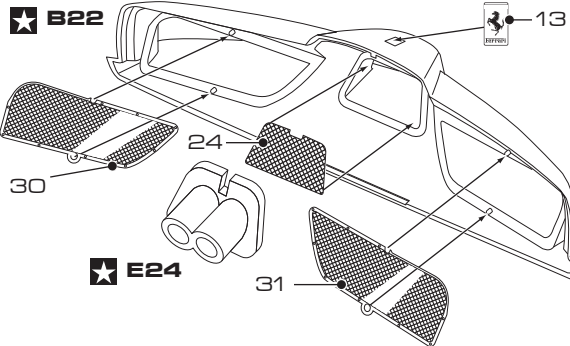


## 19 Air Cleaner Details

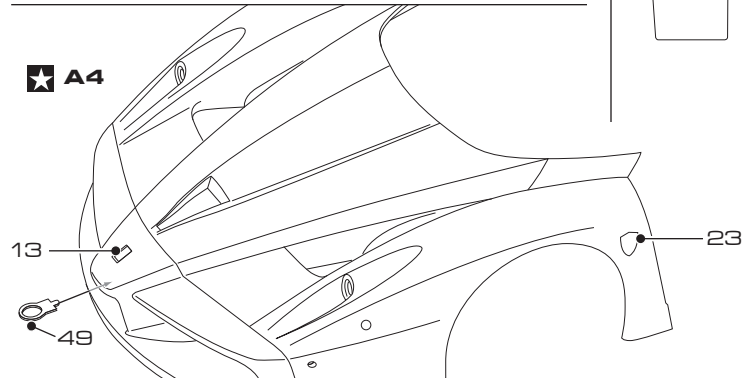
Remove molded in detail or place PE parts on top of the molded detail



## 21 Nose Cowl Details

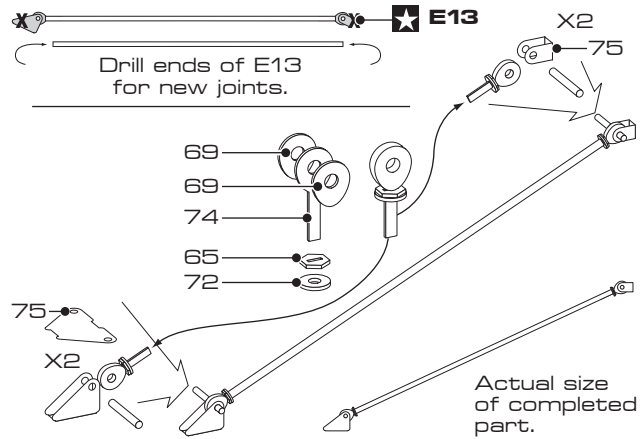


## 27 Front Bodywork Details



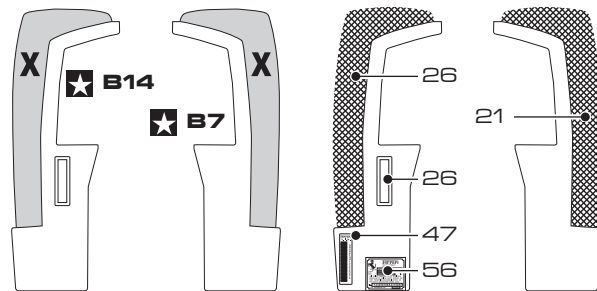
## 19 Engine Support Arms

Remove molded hyme joints from Tamiya E13.

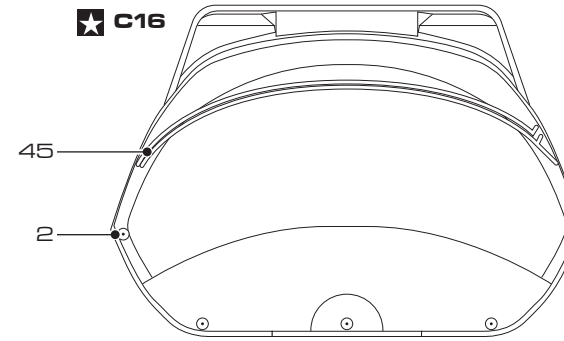


## 22 Mesh Locations / Misc. Details

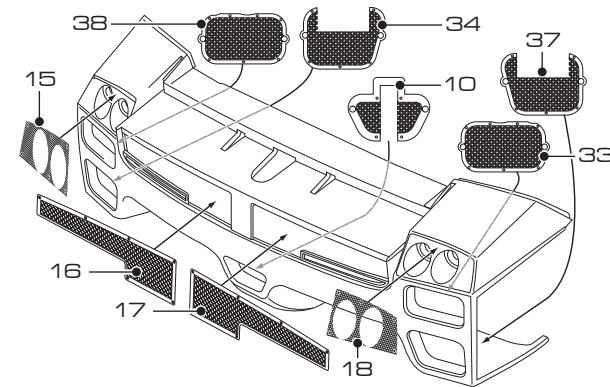
Remove molded mesh from Tamiya parts B14 & B17



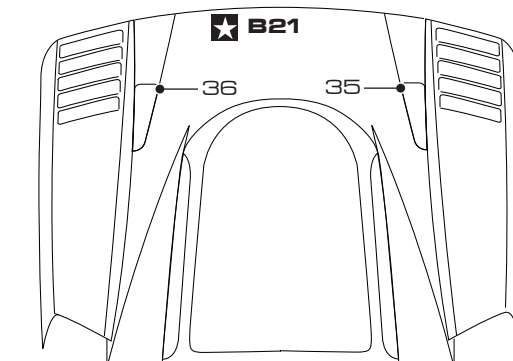
## 20 Windshield Details



## 25 Rear Mesh

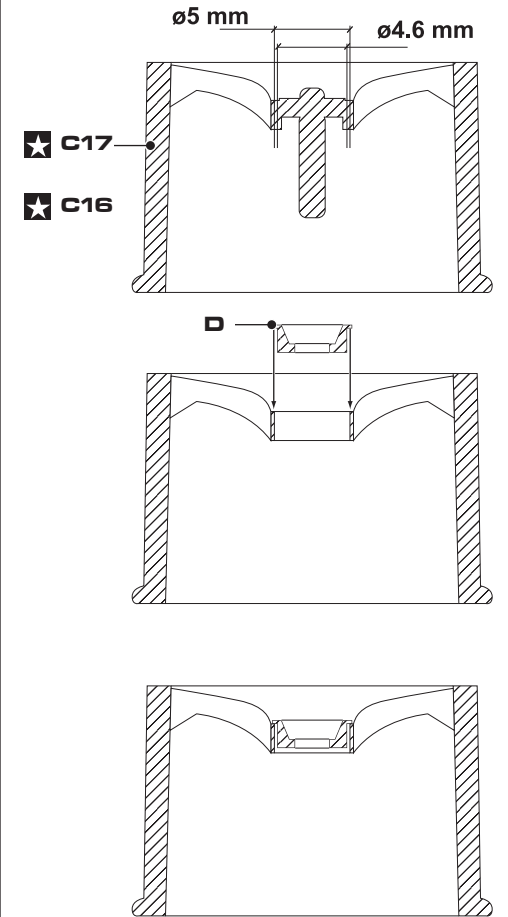


## 29 Rear Deck Mesh

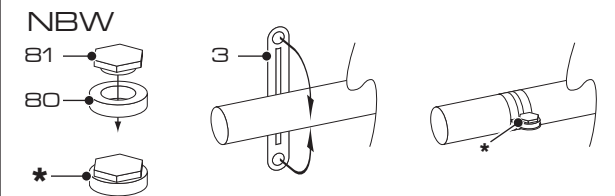


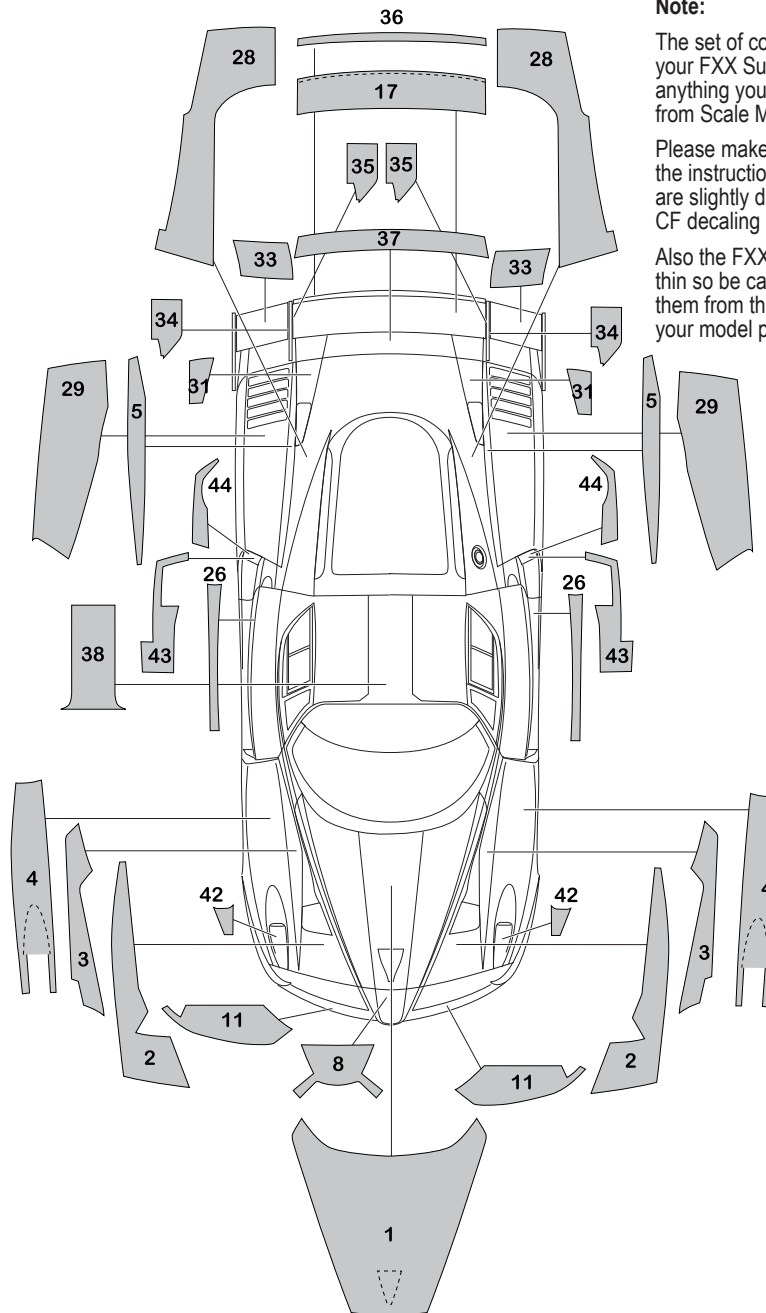
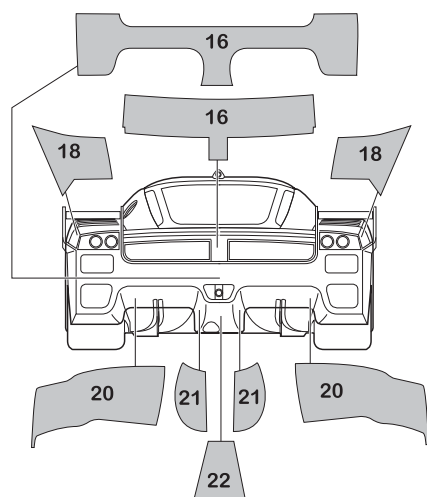
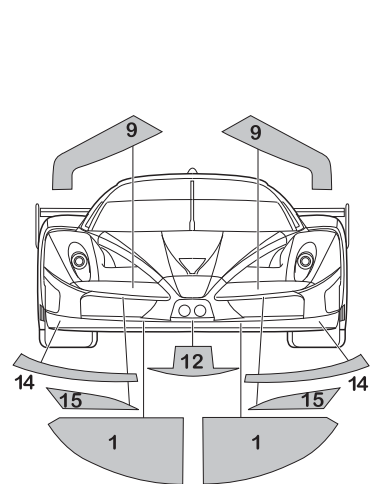
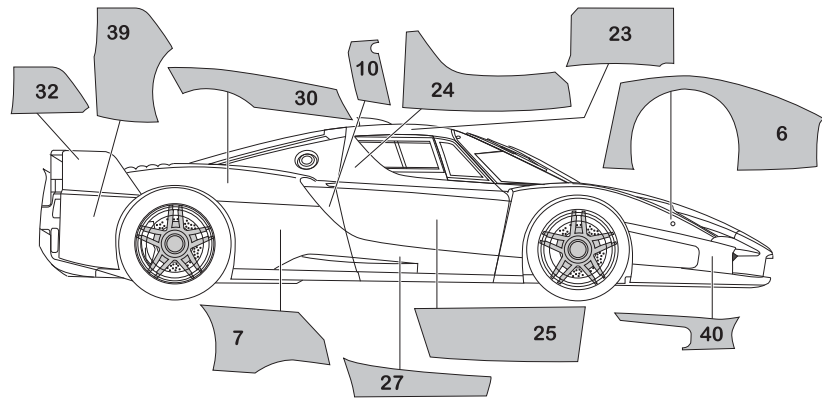
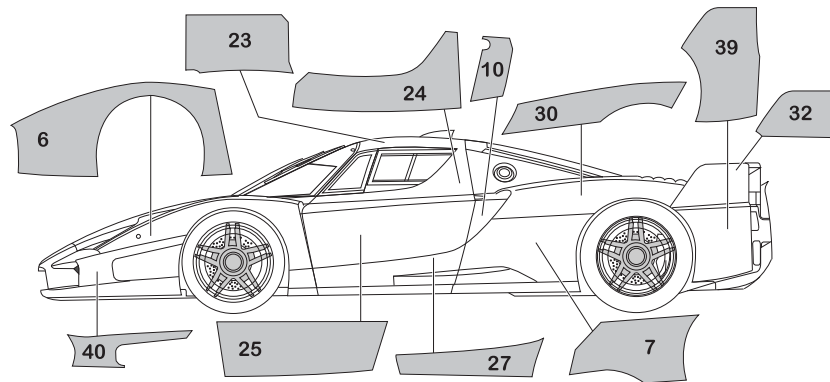
## 30 Rim Centers

Drill rim centers, minimum opening 4.6mm max opening 5mm



## Wire Looms





**Note:**

The set of composite fiber decals in your FXX Super Detail Kit are unlike anything you have ever used before from Scale Motorsport.

Please make sure to read through the instructions to the right, they are slightly different than our usual CF decaling instructions.

Also the FXX CF decals are extremely thin so be careful when transferring them from the paper backing onto your model parts.

**Surface Preparation:**

1. Paint all surfaces 'Gloss Black' to be covered with the CF decals.
2. You can polish out the painted surfaces with Micro Mesh or Scale Motorsport's 'PolishingStiX' but its not necessary if your paint job is glossy.
3. Do not use any paint polish prior to applying the decals. Always apply decals to an untreated painted surface.

**Decal Preparation:**

1. Use only a room temperature water bath do not use hot or even warm water.
2. Work with only one template at a time do not submerge more than one decal at a time in the water bath.
3. Allow the decal to sit in the water about 20 seconds, remove and allow to wick dry on a paper towel.

4. We recommend using Microscale's 'Micro-Set' Softening Solution, the blue labeled bottle. Do not use Micro-Sol, the red labeled bottle it is much too aggressive for this type of CF decal.

5. Coat the entire area to be decaled with the softening solution.

**Decal Application**

1. Transfer the decal to the part carefully. These decals are extremely thin and can tear easily.
2. Wick off excess softening solution off the top surface of the decal right away than brush the surface with clean water. Than wick off the water with a paper towel as well. Do not leave any moisture on the top surface of the decal it could stain the decal surface.
3. Due to the 'thinness' of the decals they conform and dry very, very quickly, do not use a hand held hair dryer to help conform the decals to the model part shape. The decals will conform themselves very quickly.
4. Some of the decals will require the trimming out of holes, air ducts and brake ducts. Before doing any trimming allow the decal to completely dry over the openings to be trimmed. Once the decal has dried use a brand new blade to delicately cut or trim the decal. In areas like the rear vents covered by decal 29, trim 3 sides allowing the flap to fall down flat on the vent. Add some softening solution and allow to dry again.

**Finishing:**

1. If you are going to clear coat the decals we recommend you allow the parts to dry for 7 to 10 days before applying any clear coat solutions.
2. If you have a food dehydrator you can place the parts in that for 48 to 72 hours and they will be ready to clear coat.