



Scale Motorsport  
 PO Box 1768  
 Shelter Island, New York 11964  
 matthew@scalemotorsport.com  
 www.scalemotorsport.com

This kit is not a toy, it is designed for the advanced builder or intermediate modeller interested in learning new techniques while expanding their modeling skills. Not safe for children under the age of 12 years.

**Enzo Ferrari**  
**Scale Motorsport sku#: #8009**  
**For Tamiya sku#: 24260 & 24273**

Perhaps the most celebrated car of modern times yet most of us will never have an opportunity to see one. Only 399 copies were made and all of them sold (\$650,000.00 each) by invitation only, before production even started! The Up Close & Mechanical CD that comes packaged with the Super Detail Kit contains over 170 high detail photographs designed to get you as close as a mechanic. More detail photos than Ferrari has ever released!

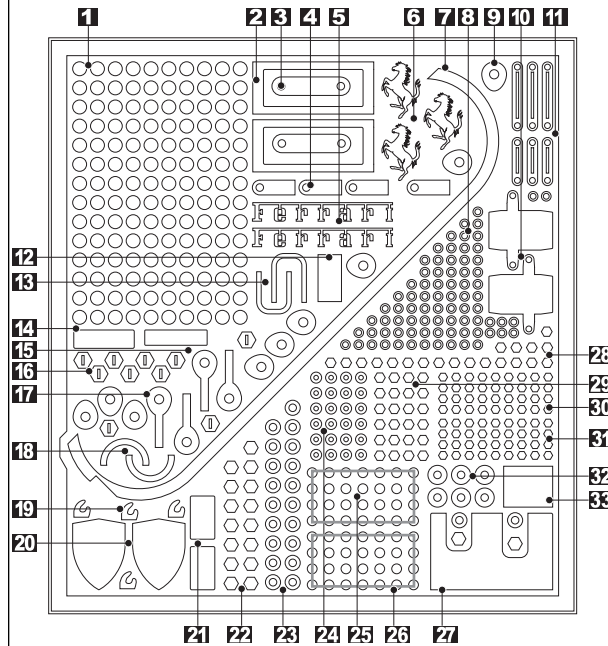
The resin hood and brake calipers are a first for Scale Motorsport we hope they enhance your enjoyment of building Tamiya's fabulous plastic kit. Cut open the hood and display all those beautiful goodies underneath!

This kit also contains an extensive composite fiber template set, perfect for such a high tech subject as the Enzo Ferrari

Enjoy your build!

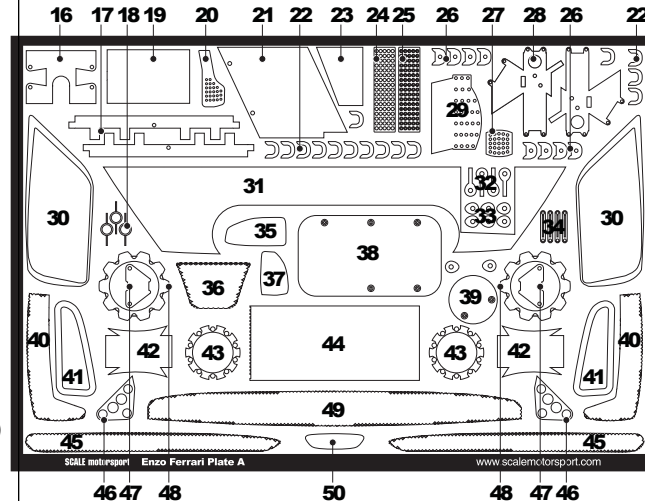
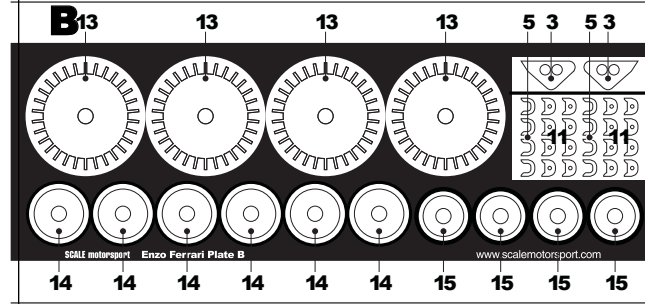
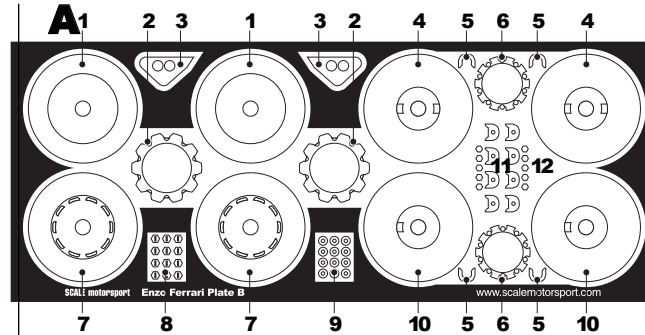
Matthew Wells  
 www.scalemotorsport.com

### Enzo Ferrari PE Parts List



Artwork enlarged for viewing ease.

- |                                 |                                       |
|---------------------------------|---------------------------------------|
| <b>1</b> Undertray Fasteners    | <b>23</b> Rear Suspension Detail      |
| <b>2</b> Not Used               | <b>24</b> Rear Deck Latch             |
| <b>3</b> Engine Support Bracket | <b>25</b> Badges                      |
| <b>4</b> Front Hood Hinges      | <b>26</b> Badges                      |
| <b>5</b> Engine Badges          | <b>27</b> Bolt Heads                  |
| <b>6</b> Badges                 | <b>28</b> Large Washers               |
| <b>7</b> Window Frame           | <b>29</b> Small Washers               |
| <b>8</b> Small Washers          | <b>30</b> Rear Hub Detail             |
| <b>9</b> Hyme Joint             | <b>31</b> Front Hub Detail            |
| <b>10</b> Rear Deck Latch Body  | <b>32</b> Foot Pedal Base2            |
| <b>11</b> Wire Looms            | <b>33</b> Bolt Heads                  |
| <b>12</b> Firewall Detail       | <b>34</b> Small Bolt Heads (use w/23) |
| <b>13</b> Foot Pedal Detail     | <b>35</b> Small Bolt Heads (use w/8)  |
| <b>14</b> ID                    | <b>36</b> Small Bolt Heads (use w/8)  |
| <b>15</b> ID                    | <b>37</b> Hyme Joint Washers          |
| <b>16</b> Hyme Joint Jamb Nuts  | <b>38</b> VIN ID Plate                |
| <b>17</b> Hyme Joint            |                                       |



Artwork not actual size

- |                                  |                                  |
|----------------------------------|----------------------------------|
| <b>1</b> Rear Outer Brake Disc   | <b>26</b> Not Used               |
| <b>2</b> Front Hub Detail        | <b>27</b> Brake Pedal            |
| <b>3</b> Lower Frame Bracket     | <b>28</b> Rear Deck Latch Tower  |
| <b>4</b> Rear Inner Brake Disc   | <b>29</b> Foot Rest              |
| <b>5</b> Not Used                | <b>30</b> Intake Mesh            |
| <b>6</b> Rear Hub Detail         | <b>31</b> Heat Shield            |
| <b>7</b> Front Outer Brake Disc  | <b>32</b> Hyme Joints            |
| <b>8</b> Jamb Nuts               | <b>33</b> Hyme Joints            |
| <b>9</b> Washers                 | <b>34</b> Wire Strap             |
| <b>10</b> Front Inner Brake Disc | <b>35</b> Side Mirror Face       |
| <b>11</b> Not Used               | <b>36</b> Rear Undertray Mesh    |
| <b>12</b> Bolt Heads             | <b>37</b> Side Mirror Face       |
| <b>13</b> Front/Rear Disc Vents  | <b>38</b> Undertray Access Panel |
| <b>14</b> Hub Detail             | <b>39</b> Undertray Access Panel |
| <b>15</b> Hub Detail             | <b>40</b> Intake Mesh            |
| <b>16</b> Shock Mount Base       | <b>41</b> Intake Mesh            |
| <b>17</b> Fuel Rails             | <b>42</b> Rear Deck Latch Base   |
| <b>18</b> Not Used               | <b>43</b> Front Hub Detail       |
| <b>19</b> Radiator Face          | <b>44</b> Radiator Face          |
| <b>20</b> Accelerator Pedal      | <b>45</b> Intake Mesh            |
| <b>21</b> Footwell Panel         | <b>46</b> Lower Frame Bracket    |
| <b>22</b> Not Used               | <b>47</b> Engine Brace Bracket   |
| <b>23</b> Heat Shield            | <b>48</b> Rear Hub Detail        |
| <b>24</b> Passenger Dash Detail  | <b>49</b> Intake Mesh            |
| <b>25</b> Passenger Dash Detail  | <b>50</b> Rear Mirror Face       |

### Legend

- E12** Tamiya Part Number
- X2** Make Two (2)
- X2/O** Make Two (2) Left and Right

- 8** → Rubber Backed PE Part Number

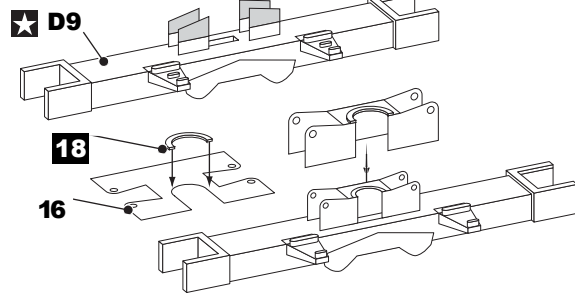
- 19** → PE Part Number

- A** → Resin or Turned Metal Part Number

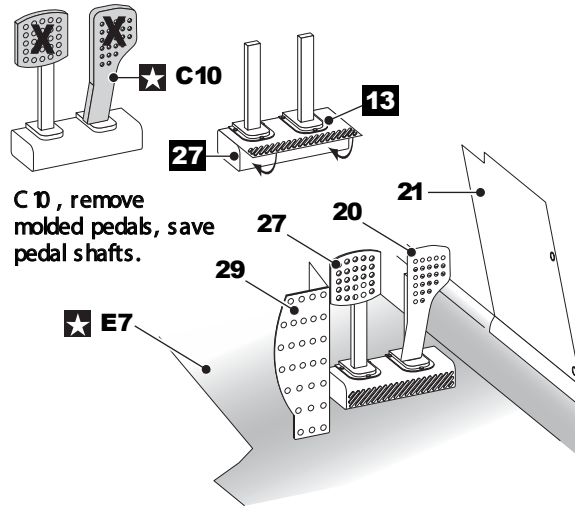
- X** Remove and Disgard

### Shock Assembly Detail

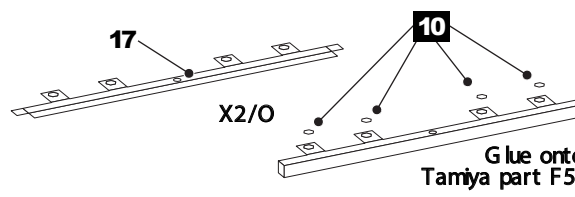
After modifying monocoque (Tamiya D9) and shocks a installed (Tamiya D24) mount assembly of PE parts 18 & 16 on top of shocks



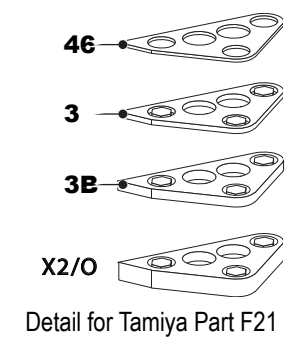
### Driver Side Foot Well



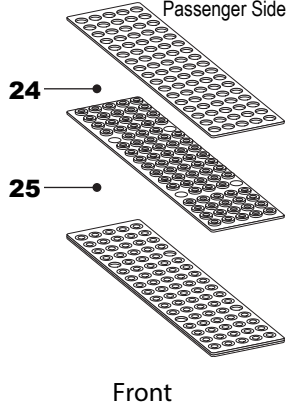
### Fuel Rails



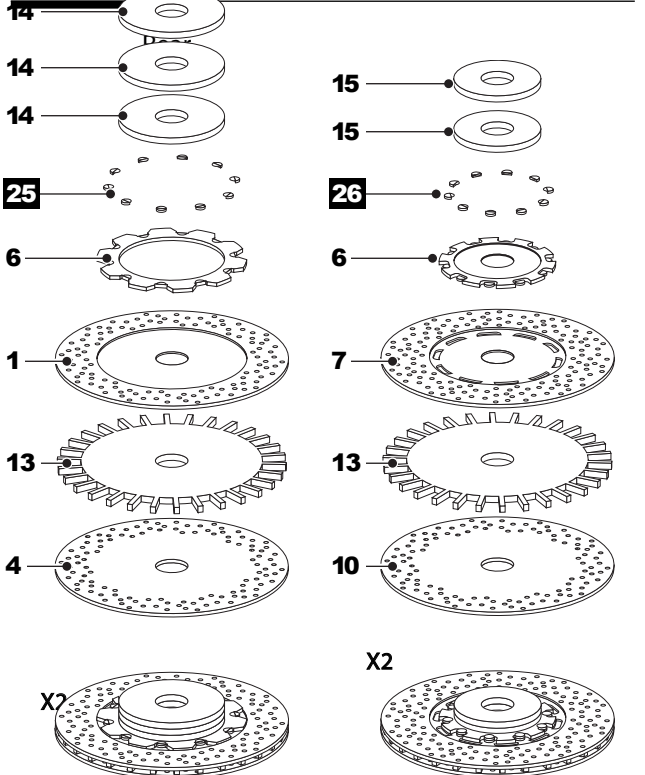
### Frame Detail



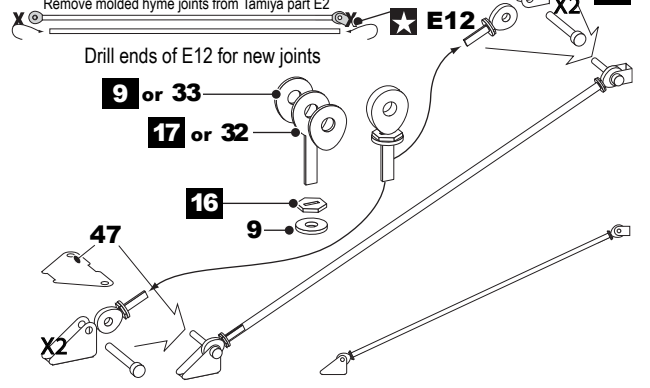
### Footrest



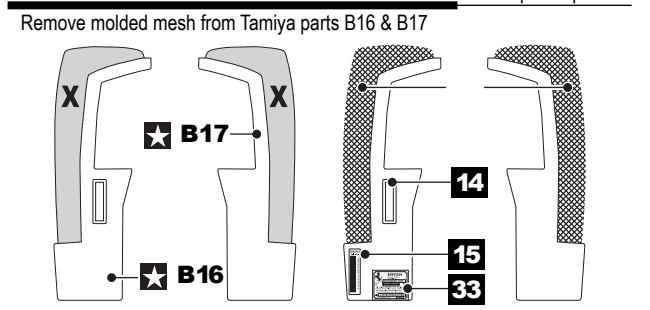
### Brake Discs



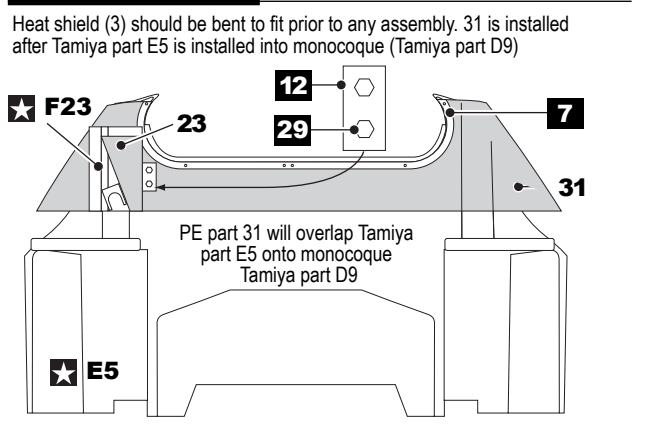
### Engine Support Arms



### Mesh Locations / Misc. Details

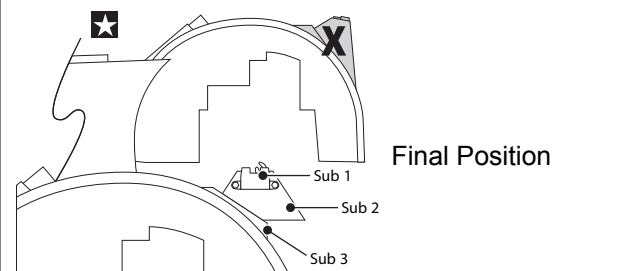
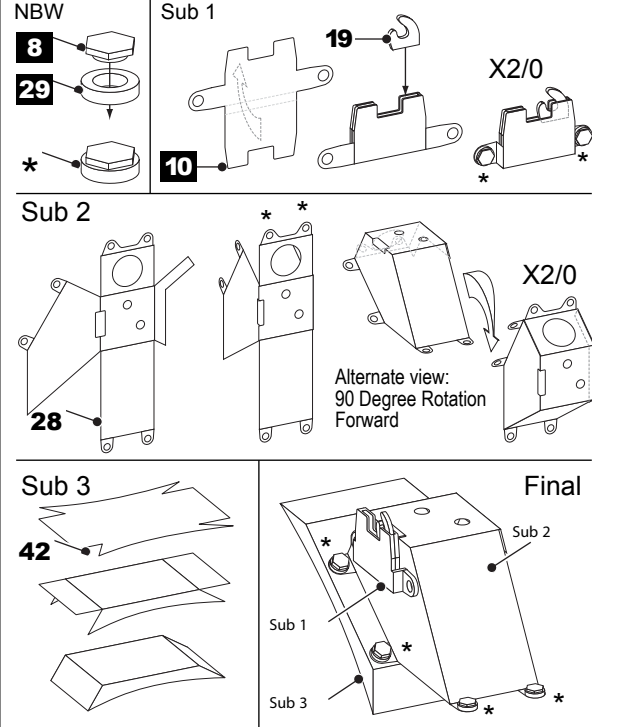


### Bulkhead Details



### Rear Deck Latches

Subassemblies 1, 2 & 3 require two assemblies each. Left and right, opposites of each other. Nut, bolt, washer (NBW) assembly is to be used wherever an \* appears



### Wire Looms

