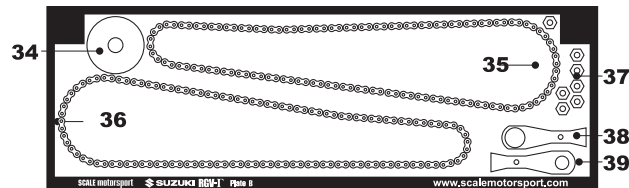
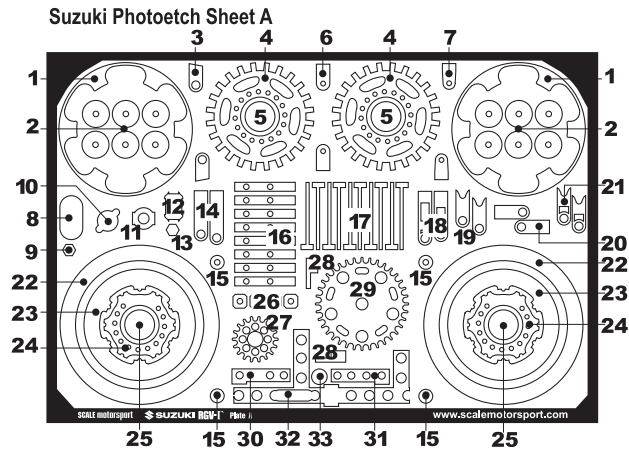




Scale Motorsport
PO Box 1768
Shelter Island, NY 11964

Phone: 516-830-0821
matthew@scalemotorsport.com
www.scalemotorsport.com

This kit is not a toy, it is designed for the advanced builder or intermediate modeller interested in learning new techniques while expanding their modelling skills. Not safe for children under the age of 12 years.



Suzuki Photoetch Sheet B

Sheet A

- 1 Front Brake Disc Detail
- 2 Handle Bar Details
- 3 Exhaust Pipe Brackets
- 4 Rear Brake Disc Vents
- 5 Exhaust End Caps
- 6 Exhaust Pipe Brackets
- 7 Exhaust Pipe Brackets
- 8 Exhaust Pipe Bracket
- 9 Small Sprocket Details
- 10 Radiator Cap
- 11 Chain Adjuster Detail
- 12 Exhaust Pipe Brackets
- 13 Small Sprocket Details
- 14 Exhaust Pipe Brackets
- 15 Handle Bar Details
- 16 Hose Clamps
- 17 Old Style Hose Clamps
- 18 Exhaust Pipe Brackets
- 19 Exhaust Pipe Brackets
- 20 Exhaust Pipe Brackets
- 21 Exhaust Pipe Brackets
- 22 Front Brake Disk
- 23 Rear Brake Disk
- 24 Rear Brake Mounting Ring
- 25 Exhaust End Cap
- 26 Handle Bar Detail
- 27 Chain Sprocket
- 28 Fluid Reservoir Bracket
- 29 Chain Sprocket
- 30 Fluid Reservoir Bracket
- 31 Fluid Reservoir Bracket
- 32 Fluid Reservoir Bracket
- 33 Small Sprocket Details

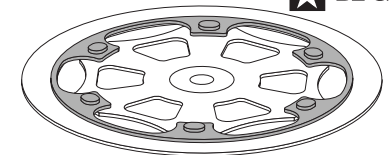
Sheet B

- 34 Place on Tamiya A7
- 35 Chain
- 36 Chain
- 37 Handle Bar Details
- 38 Chain Adjustor
- 39 Chain Adjustor

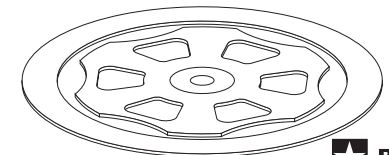
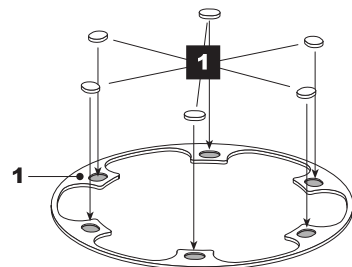
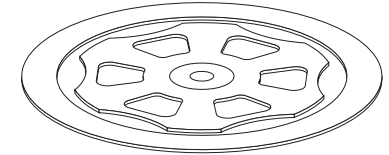
Front Rotor Assembly

Build two setups

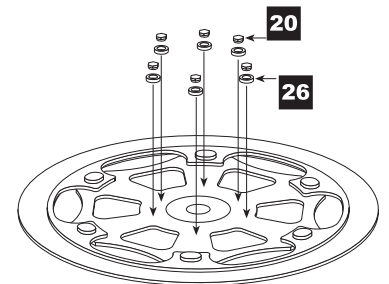
★ B2 & B3



Sand gray area flat, or remove it from Tamiya A16



★ B2 & B3



Suzuki Motorcycle #4215
For Tamiya sku#: 14081 & 14083

Production Notes:

Thanks for purchasing our Suzuki motorcycle photoetch set. The motorcycle sets represent our highest degree of design and detail to date. Great care and time went into the design and development of every part, including the set of instructions.

Please make sure to read through the entire instruction sheet provided with this kit. Plan your build carefully, it is not necessary to incorporate every detail in this kit, into your Tamiya build.

We design all our products for the extreme enthusiast, not everyone will be able to use all the details. So, test yourself by pushing your limits, its a great way to improve your craftsmanship!

We recommend that you handle our photo-etch parts with a tweezer (finger prints can create tarnished surfaces over time) and dab a drop of Tamiya Clear over the part after installation. Follow the Tamiya paint scheme, using clear colors to achieve an anodized finish on many of the photoetch parts.

Build Sequence:

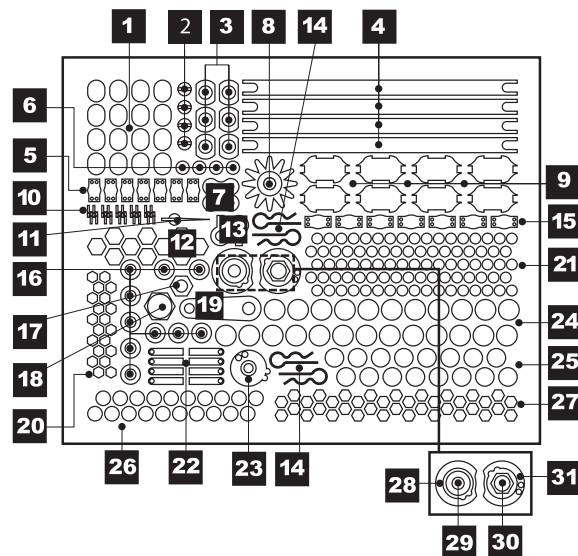
Build the Scale Motorsport details along with the build sequence illustrated in the Tamiya instruction booklet.

27 Parts displayed with this symbol signify rubber backed photoetched details.

Note: Parts are not drawn to scale and slightly altered to prevent copyright theft.

★ C6 Designates Tamiya Part

Suzuki RGV Photoetch Sheet R

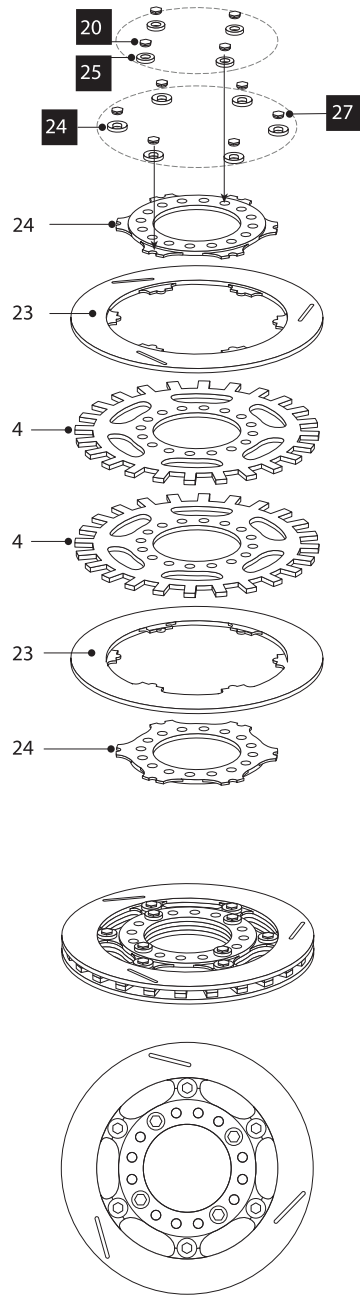


Sheet R (Rubber Backed)

- 1 Front Brake Disc Detail
- 2 Handle Bar Details
- 3 Handle Bar Details
- 4 Exhaust Clamps?
- 5 Hose Clamp Details
- 6 Handle Bar Details
- 7 The Missing Link
- 8 Mount to Tamiya A7
- 9 Exhaust Brackets
- 10 Hose Clamp Details
- 11 Speedometer
- 12 Large Sprocket Details
- 13 Banjo Fittings
- 14 Cowl Pins
- 15 Hose Clamp Details
- 16 Large Sprocket Details
- 17 Nut, Mounts to Tamiya A4
- 18 Small Sprocket Details
- 19 Linkage
- 20 Front Brake Disc Details
- 21 Exhaust Clamp Detail
- 22 Exhaust Brackets
- 23 Mounts to Tamiya A4
- 24 Rear Brake Disc Detail
- 25 Rear Brake Disc Details
- 26 Front Brake Disc Details
- 27 Rear Brake Disc Details
- 28 Mounts to Tamiya A4
- 29 Nut, Mounts to Tamiya A4
- 30 Nut, Mounts to Tamiya A4
- 31 Mounts to Tamiya A4

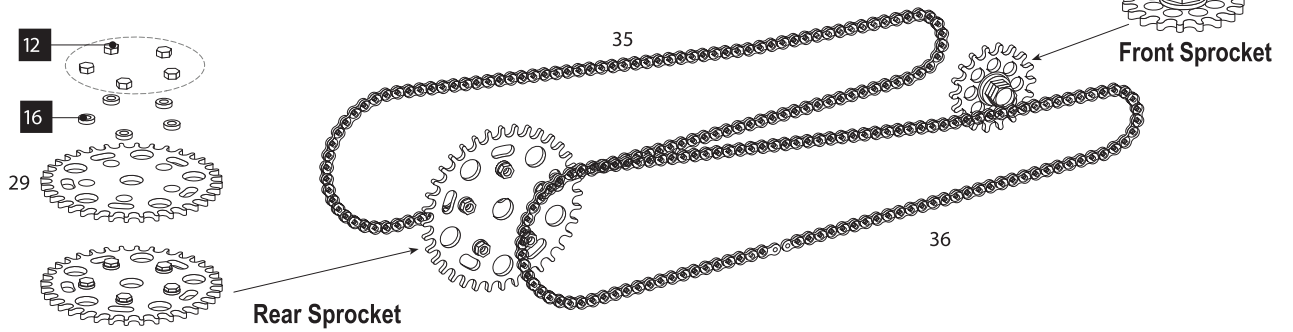
Rear Rotor Assembly

Build one setup only. Replaces Tam B1

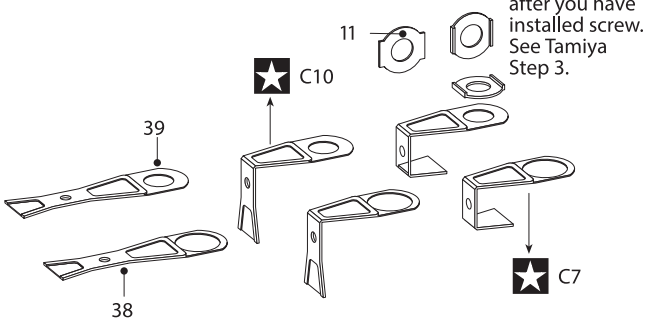


Chain Link & Sprocket Assembly

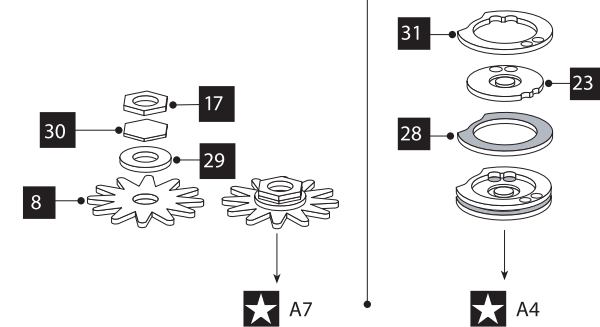
StepA
 You can build the chain two different ways. By sandwiching Tamiya part#: B14 between Scale Motorsport PE#: 30 & 33, you can create a three dimensional chain with sprocket and spacers. If you choose to build the chain this way, make sure to sand Tamiya B14 completely flat, eliminating all surface detailing. Also, you will use the front and rear sprockets on the Tamiya B14, instead of the Scale Motorsport PE sprocket parts.



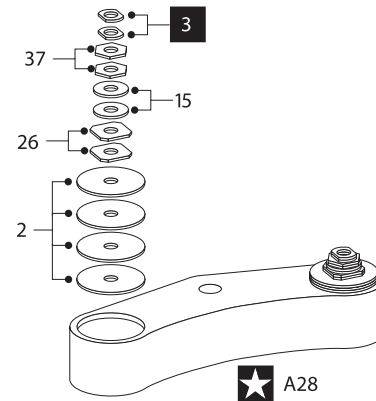
Chain Link Adjustor Bracket



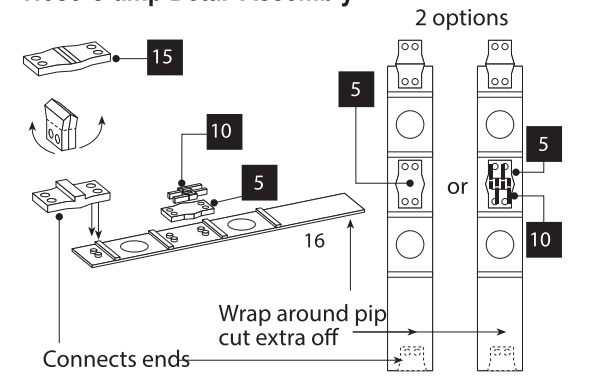
Ignition Detail



Handle Bar Detail Assembly

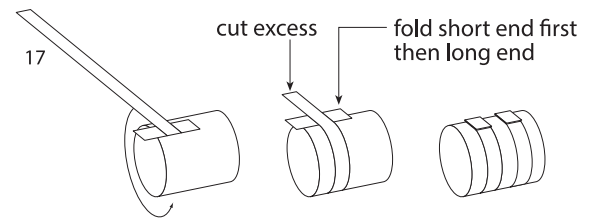


Hose Clamp Detail Assembly



Old Style Hose Clamp Assembly

Use wherever rubber hoses join to pipes throughout entire build



Muffler Hanger Strap Detail Assembly

Use One (19, 20, or 21) on Tamiya Parts A39/A38

