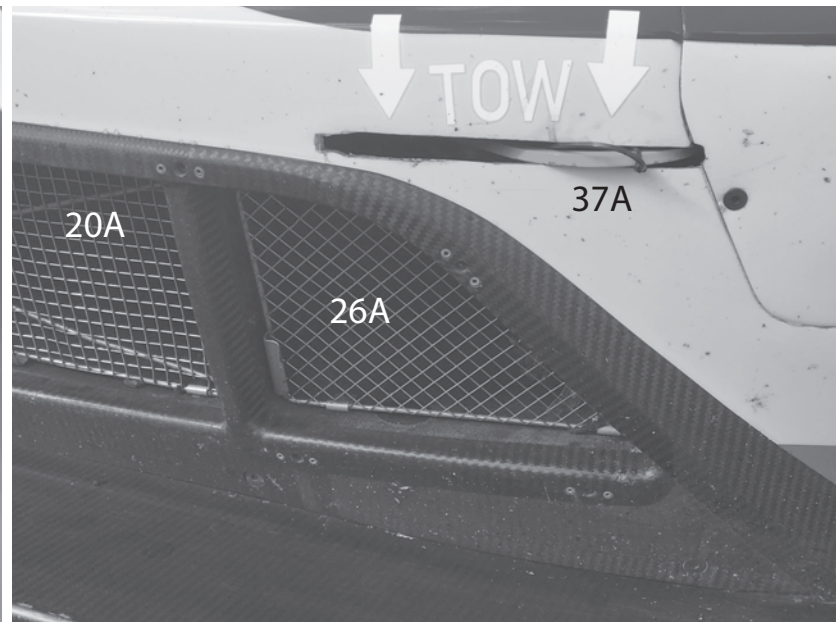




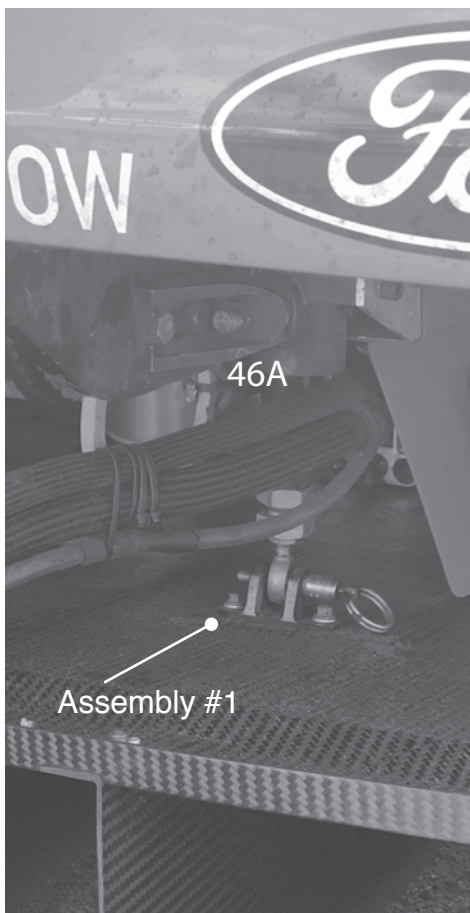
27A



20A

37A

26A



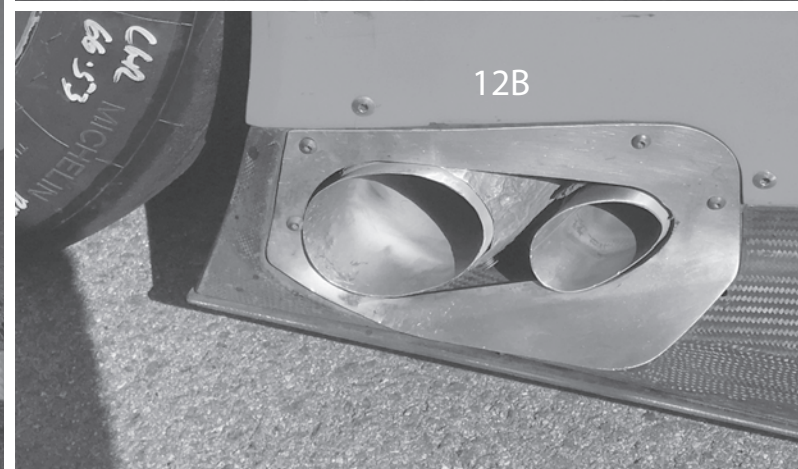
46A

Assembly #1



G

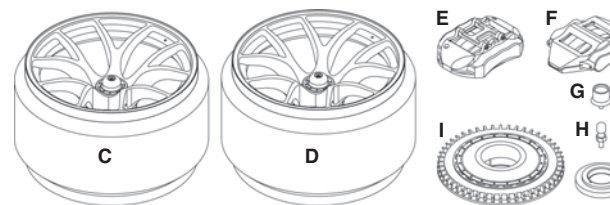
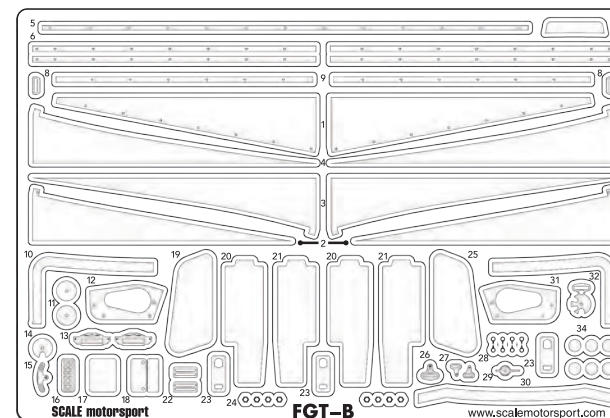
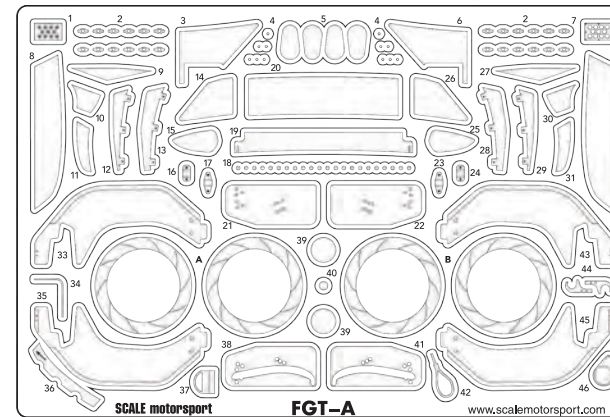
46A



12B

SCALE motorsport Ford GT Le Mans 17

Designed for Revell sku#: 85-4418 – 1:24th Scale Kit
Scale Motorsport SKU: 2060



- C - Front Rim x 2
- D - Rear Rim x 2
- E - Front Caliper x 2
- F - Rear Caliper x 2
- G - Rear Camera x 1
- H - Valve Stem x 4
- I - Rotor x 4
- J - Fuel Filler x 1

A00 Revell part number

00A Photoetch number Sheet A Top Half

00B Photoetch number Sheet B Bottom Half

Scale Motorsport
PO Box 1768
Shelter Island, NY 11964 USA
www.scalemotorsport.com

Sheet A

- 1 Rain Light
- 2 Undertray details
- 3 Front intake shield
- 4 Small nut
- 5 Body fastener
- 6 Front intake shield
- 7 Rear Light
- 8 Radiator mesh
- 9 Body vent mesh
- 10 Body vent mesh
- 11 Body vent mesh
- 12 Nose aerolon
- 13 Nose aerolon
- 14 Front intake mesh
- 15 Mirror face
- 16 Bracket
- 17 Bracket
- 18 Body fastener
- 19 Front intake shield
- 20 Front intake mesh
- 21 Wing endplate
- 22 Wing endplate
- 23 Same part as 17
- 24 Same part as 16
- 25 Mirror face
- 26 Front intake mesh
- 27 Body vent mesh
- 28 Nose aerolon
- 29 Nose aerolon
- 30 Body vent mesh
- 31 Body vent mesh
- 32 Radiator mesh
- 33 Wing upright
- 34 Pitot tube
- 35 Wing upright
- 36 Marker light template
- 37 Front tow hook
- 38 Wing endplate
- 39 Tail light center
- 40 Seatbelt cam lock
- 41 Wing endplate
- 42 Pull cable
- 43 Wing upright
- 44 Wing upright detail
- 45 Wing upright
- 46 Rear tow hook

8 Seatbelt bracket

- 9 Diffuser detail
- 10 Diffuser detail
- 11 Seatbelt cam lock
- 12 Exhaust shield
- 13 Seatbelt shoulder bracket
- 14 Seatbelt cam lock
- 15 Seatbelt bracket
- 16 Clutch pedal
- 17 Brake pedal
- 18 Accelerator pedal
- 19 Radiator grill
- 20 Radiator grill
- 21 Radiator grill
- 22 Seatbelt detail
- 23 Body fastener
- 24 Large nut
- 25 Radiator grill
- 26 Seatbelt
- 27 Seatbelt
- 28 Banjo fitting
- 29 Seatbelt buckle
- 30 Diffuser detail
- 31 Exhaust shield
- 32 Seatbelt cam lock
- 33 Diffuser detail
- 34 Sidemarket light

Sheet B

- 1 Diffuser fin
- 2 Diffuser fin
- 3 Diffuser fin
- 4 Diffuser fin
- 5 Wickerbill
- 6 Diffuser detail
- 7 Body vent mesh

BE A BUILDER

