

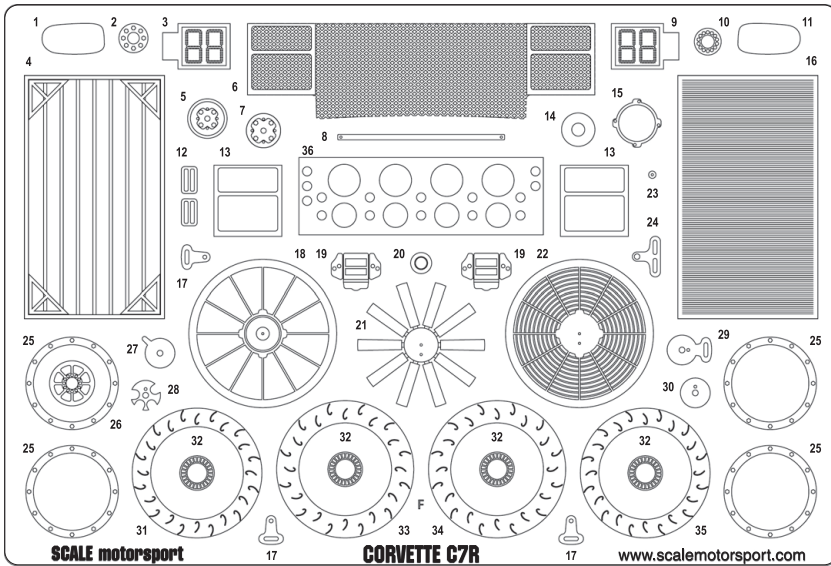


Corvette C7R

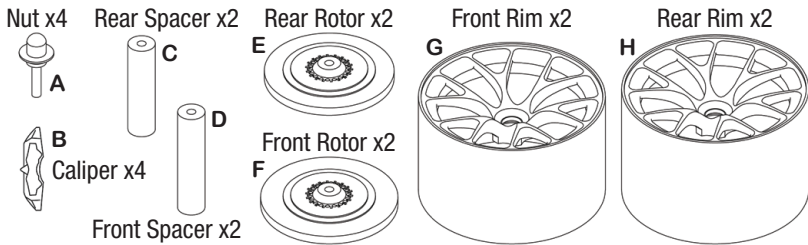
Designed for Revell sku#: 85-4304 – 1:24th Scale Kit

Scale Motorsport SKU: 2050

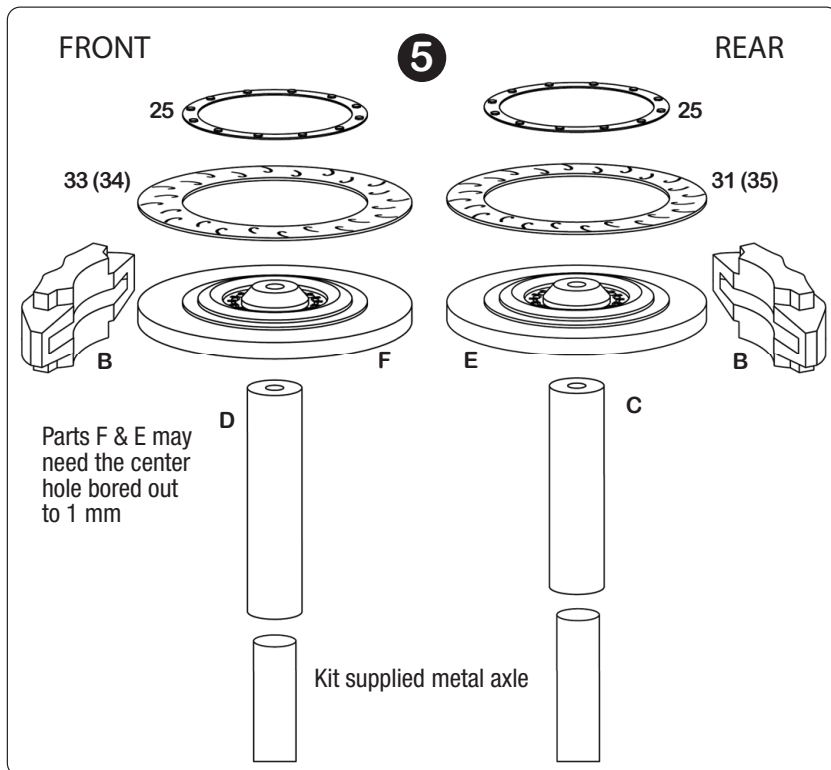
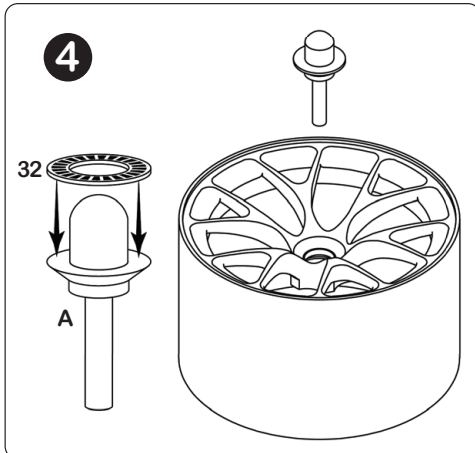
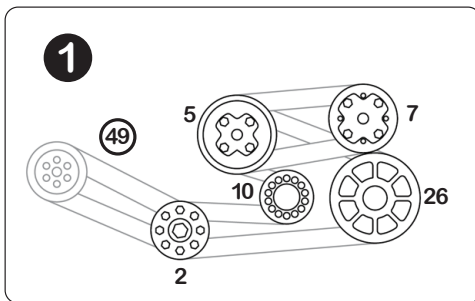
Scale Motorsport
 PO Box 823
 Newtown, CT 06470 USA
 Phone: 203-244-5423
 www.scalemotorsport.com



- 1 Left side view mirror
- 2 Pulley face
- 3 Position display left
- 4 Radiator bracket
- 5 Pulley face
- 6 Front grill mesh
- 7 Pulley face
- 8 Water cooler handle
- 9 Position display right
- 10 Pulley face
- 11 Right side view mirror
- 12 Seatbelt
- 13 Grill mesh frame
- 14 Fan detail
- 15 Fan detail
- 16 Radiator face
- 17 Seatbelt
- 18 Fan shroud
- 19 Seatbelt adjuster
- 20 Seatbelt detail
- 21 Fan
- 22 Fan shroud
- 23 Fan detail
- 24 Seatbelt
- 25 Brake hub detail
- 26 Pulley face
- 27 Seatbelt buckle
- 28 Seatbelt buckle
- 29 Seatbelt buckle
- 30 Seatbelt buckle
- 31 Rear rotor
- 32 Wheel nut detail
- 33 Front rotor
- 34 Front rotor
- 35 Rear rotor
- 36 Water cooler bracket



- 0** Revell step number
- 0** Revell part number
- A** Metal or 3D printed components
- 00** Photoetch number



BE A BUILDER

