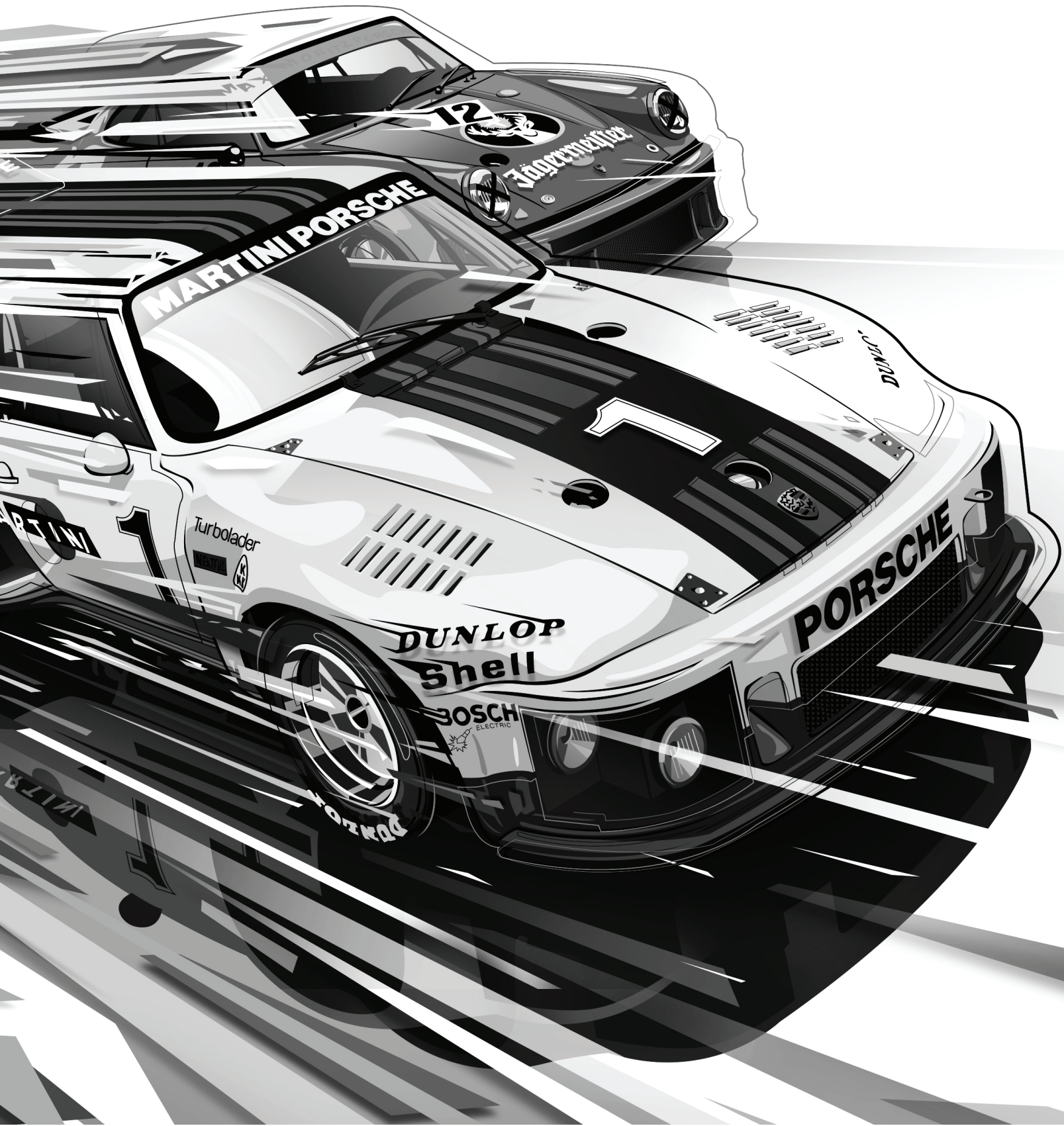


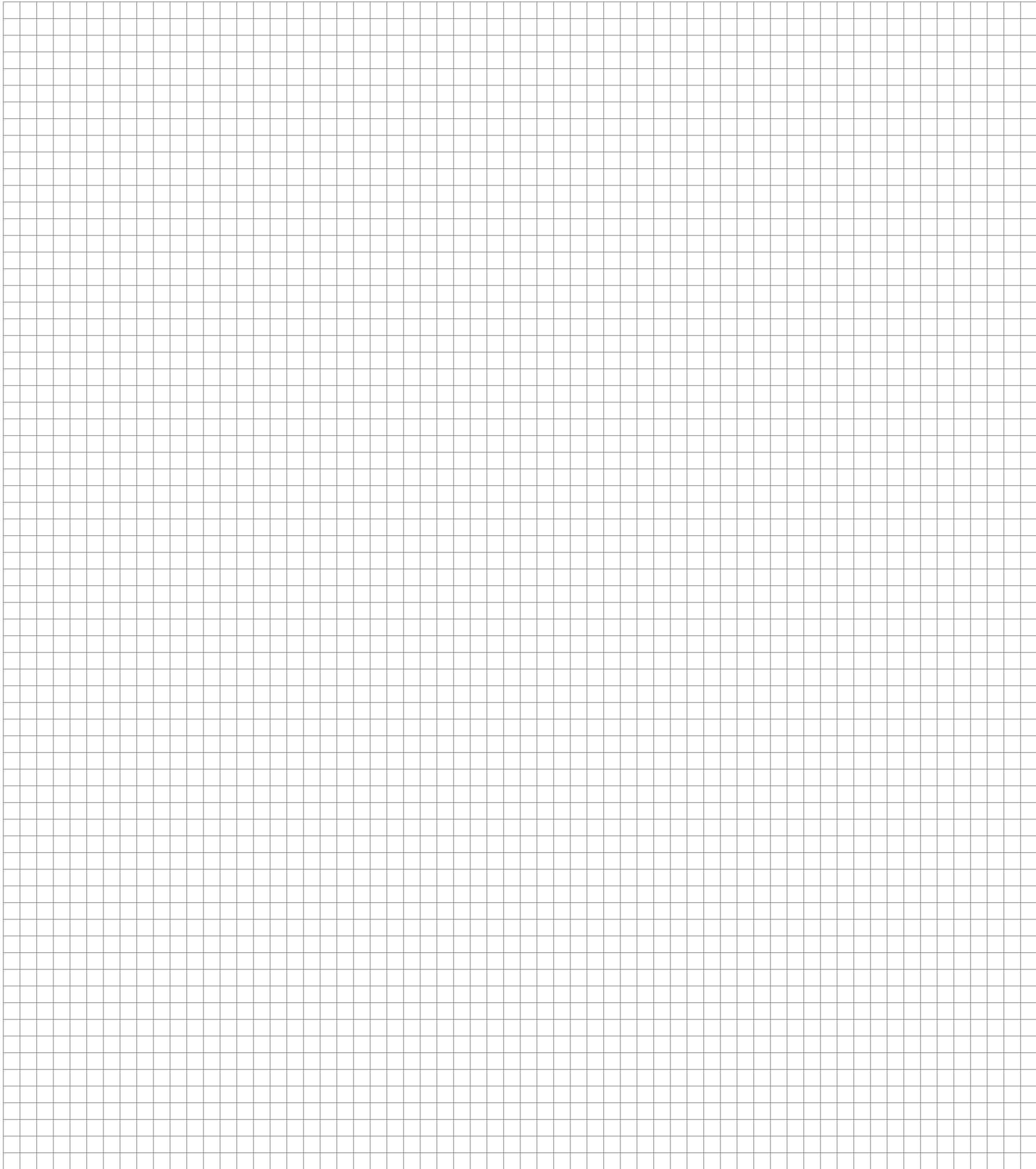
# 935 2021 SDK

Instruction Manual

**SCALE**  
motorsport







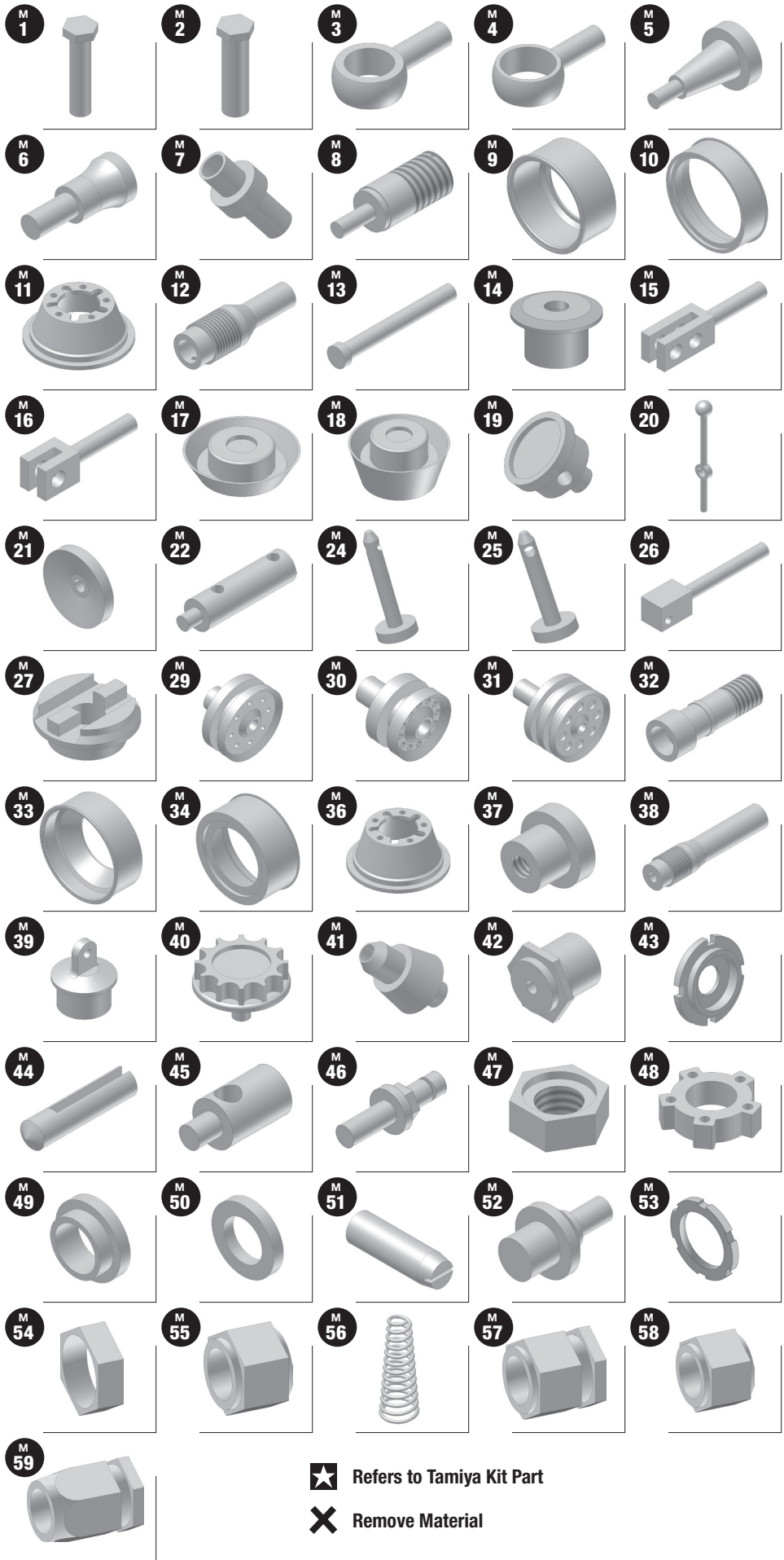
**BE A BUILDER**

# Parts Dispenser Directory

Part #	Description	Qty	Location
M1	Banjo Fitting Hex HD, Lg	4	A1
M2	Banjo Fitting Hex HD, Sm	4	A1
M3	Banjo Fitting, Lg	4	A1
M4	Banjo Fitting, Sm	4	A1
M5	Dash Button Lg	1	B5
M6	Dash Buttons sm	3	B5
M7	Electrical Shut Off	1	B5
M8	Front Hub Shaft	2	A3
M9	Front Rim Half - Inner	2	
M10	Front Rim Halves - Outer	2	
M11	Front Rotor Hub	2	A5
M12	Front Shock A	2	C3
M13	Front Shock B	2	C4
M14	Front Shock D	2	C4
M15	Front X-Brace End, Long	2	C5
M16	Front X-Brace End, Short	2	C5
M17	Fuel Filler Valve, Short	1	B4
M18	Fuel Filler Valve, Tall	1	B4
M19	Gauge	1	B5
M20	Gear Lever	1	B5
M21	Boost Knob	1	B5
M22	Turbo Boost Buffer Cylinder	1	B5
M24	Hood Pins Long	4	C6
M25	Hood Pins Short	2	C6
M26	Rear Deck Pins	6	C6
M27	Intake Collar	1	B3
M29	Pulley, C36	1	B3
M30	Pulley C37	1	B3
M31	Pulley, N20 Crankshaft	1	B3
M32	Rear Hub Shaft	2	A4
M33	Rear Rim Halves - Inner	2	
M34	Rear Rim Halves - Outer	2	
M36	Rear Rotor Hub	2	A6
M37	Rear Shock A	2	B2
M38	Rear Shock B	2	B1
M39	Rear Shock Cap	2	B2
M40	Reservoir Cap	2	C1
M41	Antenna Base	1	C1
M42	Boost Knob Shaft	1	B5
M43	Shock Tower Top	4	B2 C3
M44	Suspension Mounting Clip	2	C2
M45	Suspension Mounting Shaft	2	C2
M46	Valve Stem	4	A3 A4
M47	Wheel Nut	4	A3 A4
M48	Wheel Spacers	4	B6
M49	Wire Loom Collar	8	B3
M50	Wire Loom Spacer	8	B3
M51	Hub Dogs	20	A5 A6
M52	Windshield Wiper Base	1	C1
M53	Rear Shock C	8	B1 C3
M54	Adapter Fittings-A	8	A2
M55	Pipe Fitting-A	4	A2
M56	Front Springs	2	C4
M57	Pipe/Adapter Fittings-B	6	A2
M58	Pipe Fittings-B	11	A2
M59	Compression Fittings-C	2	A2

## Additional Materials

A	Braided Hosing	9.5 inches
B	Braided Hosing	34 inches
C	Braided Hosing	20 inches
D	Fitting Line	6 inches
E	Fitting Line	2 @ 3" ea.

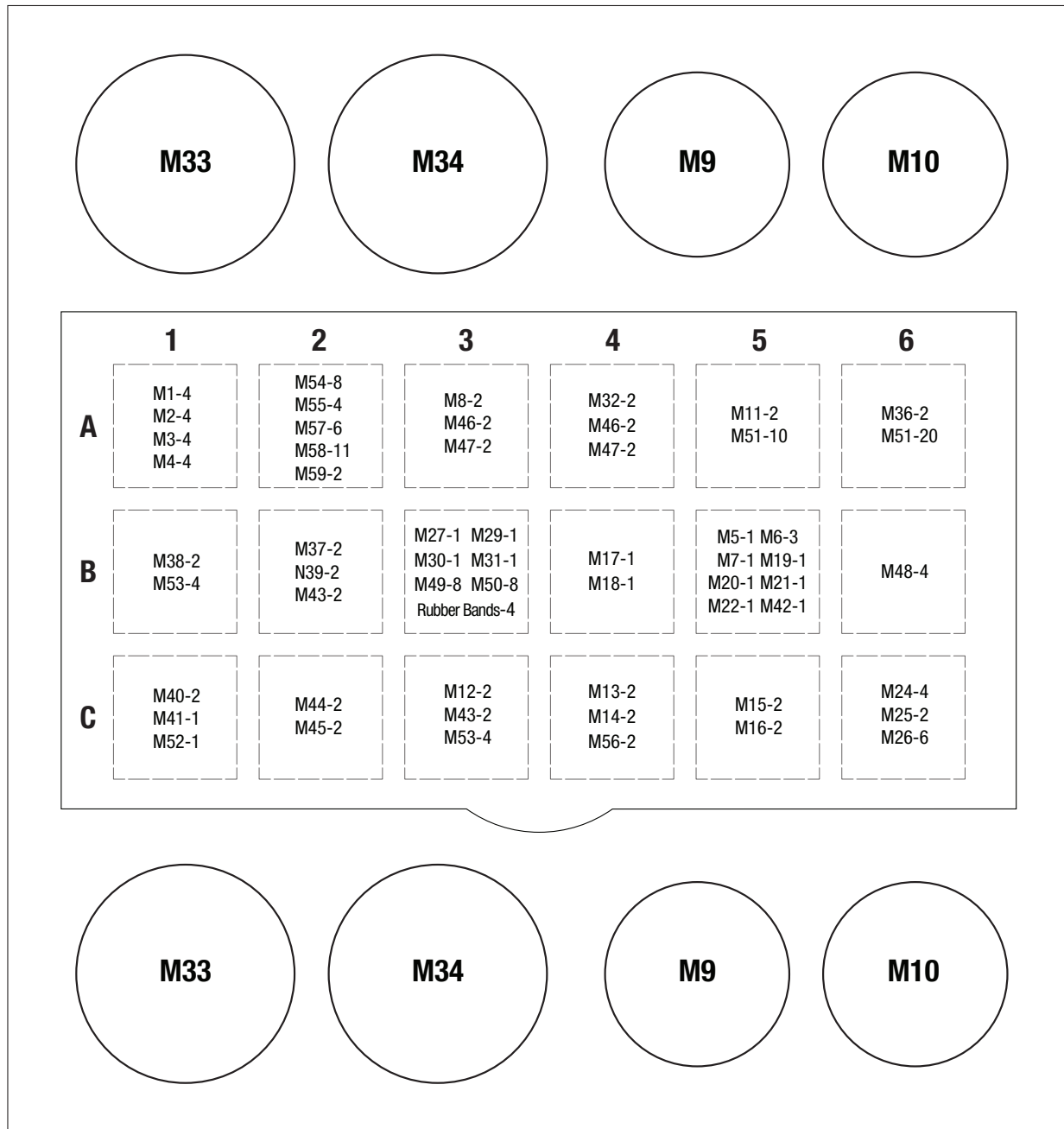


★ Refers to Tamiya Kit Part

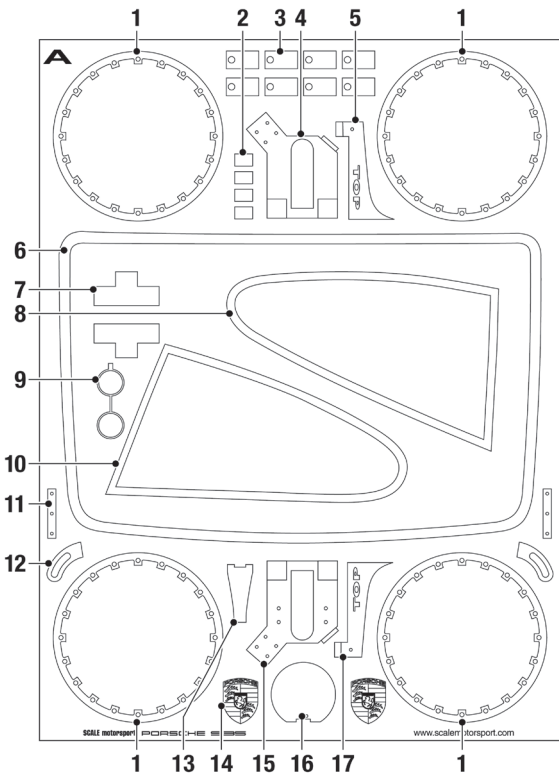
✗ Remove Material



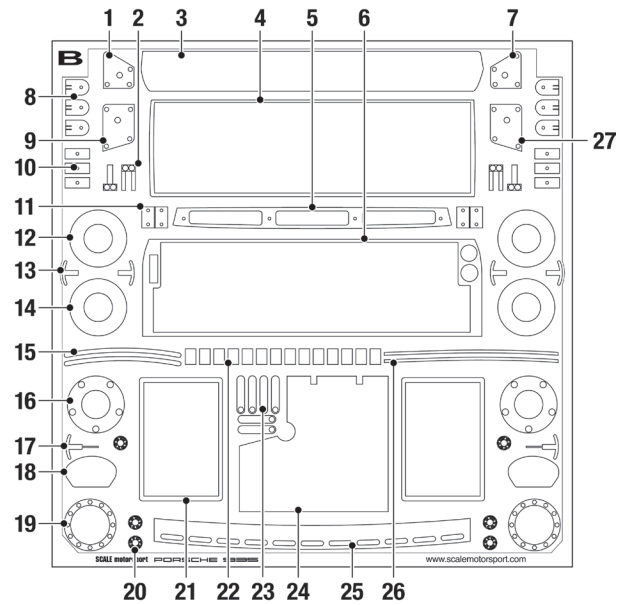
# Parts Dispenser Directory



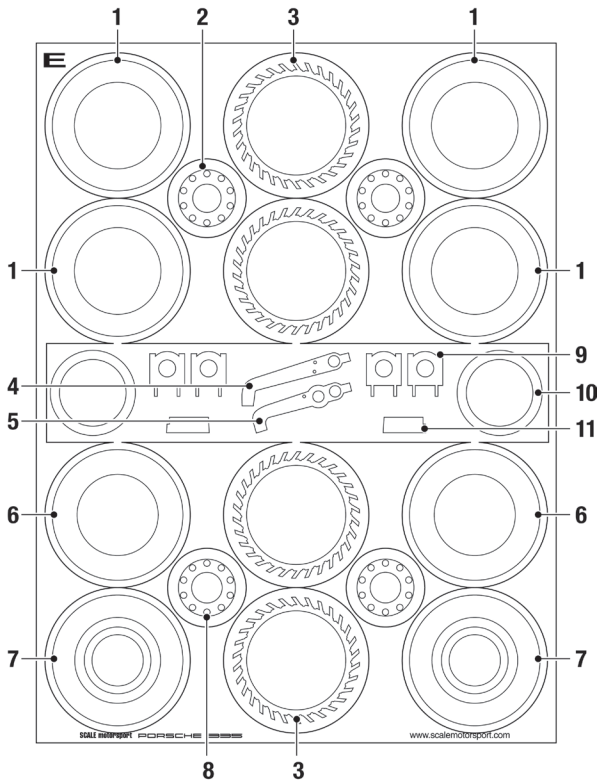
Part #	Description	Part #	Description	Part #	Description	Part #	Description
<b>M1</b>	Banjo Fitting Hex HD, Lg	<b>M15</b>	Front X-Brace End, Long	<b>M31</b>	Pulley, N20 Crankshaft	<b>M46</b>	Valve Stem
<b>M2</b>	Banjo Fitting Hex HD, Sm	<b>M16</b>	Front X-Brace End, Short	<b>M32</b>	Rear Hub Shaft	<b>M47</b>	Wheel Nut
<b>M3</b>	Banjo Fitting, Lg	<b>M17</b>	Fuel Filler Valve, Short	<b>M33</b>	Rear Rim Halves - Inner	<b>M48</b>	Wheel Spacers
<b>M4</b>	Banjo Fitting, Sm	<b>M18</b>	Fuel Filler Valve, Tall	<b>M34</b>	Rear Rim Halves - Outer	<b>M49</b>	Wire Loom Collar
<b>M5</b>	Dash Button Lg	<b>M19</b>	Gauge	<b>M36</b>	Rear Rotor Hub	<b>M50</b>	Wire Loom Spacer
<b>M6</b>	Dash Buttons sm	<b>M20</b>	Gear Lever	<b>M37</b>	Rear Shock A	<b>M51</b>	Hub Dogs
<b>M7</b>	Electrical Shut Off	<b>M21</b>	Boost Knob	<b>M38</b>	Rear Shock B	<b>M52</b>	Windshield Wiper Base
<b>M8</b>	Front Hub Shaft	<b>M22</b>	Turbo Boost Buffer Cylinder	<b>M39</b>	Rear Shock Cap	<b>M53</b>	Rear Shock C
<b>M9</b>	Front Rim Half - Inner	<b>M24</b>	Hood Pins Long	<b>M40</b>	Reservoir Cap	<b>M54</b>	Adapter Fitting-A
<b>M10</b>	Front Rim Halves - Outer	<b>M25</b>	Hood Pins Short	<b>M41</b>	Antenna Base	<b>M55</b>	Pipe Fitting-A
<b>M11</b>	Front Rotor Hub	<b>M26</b>	Rear Deck Pins	<b>M42</b>	Boost Knob Shaft	<b>M56</b>	Front Springs
<b>M12</b>	Front Shock A	<b>M27</b>	Intake Collar	<b>M43</b>	Shock Tower Top	<b>M57</b>	Pipe/Adapter Fittings-B
<b>M13</b>	Front Shock B	<b>M29</b>	Pulley, C36	<b>M44</b>	Suspension Mounting Clip	<b>M58</b>	Pipe Fittings-B
<b>M14</b>	Front Shock D	<b>M30</b>	Pulley C37	<b>M45</b>	Suspension Mounting Shaft	<b>M59</b>	Compression Fittings-C



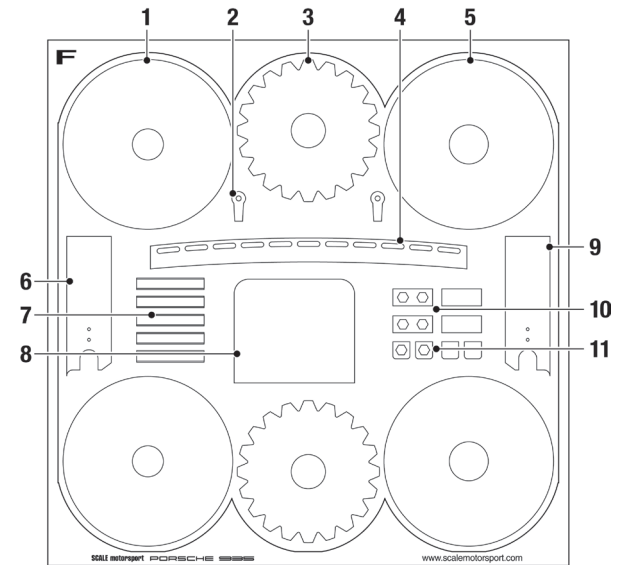
- |                                  |                        |                         |
|----------------------------------|------------------------|-------------------------|
| 1 Rim detail                     | 6 R window frame       | 12 Rear wing adjuster   |
| 2 Rear susp. arm                 | 7 Sway-bar adj. detail | 13 Wiper arm detail     |
| 3 Window Clips                   | 8 Window Frame         | 14 Hood Badge           |
| 4 Anti-sway bar adjuster bracket | 9 Fluid reservoir lid  | 15 Sway-bar adj. detail |
| 5 Drill template                 | 10 Window frame        | 16 Fuel Port Door       |
|                                  | 11 Bracket             | 17 Drill template       |



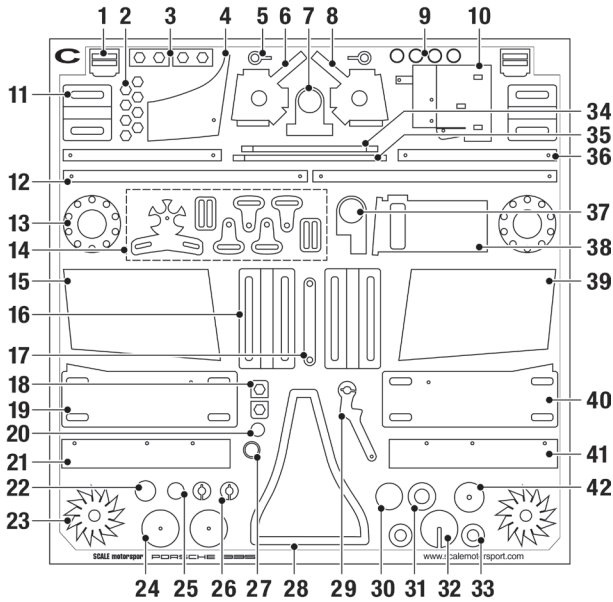
- |                   |                        |                      |
|-------------------|------------------------|----------------------|
| 1 Hood pin plate  | 10 Brake line brkt     | 19 Fuel port collar  |
| 2 Fuel door hinge | 11 Sway-bar adj detail | 20 Weld              |
| 3 Radiator shroud | 12 Hub dog mount ring  | 21 Radiator face     |
| 4 Radiator shroud | 13 Door handle         | 22 Alternator fan    |
| 5 Front air vent  | 14 Hub dog mount ring  | 23 Plug clips        |
| 6 Radiator shroud | 15 Wiper head detail   | 24 Turbo heat shield |
| 7 Hood pin plate  | 16 Hub dog mount ring  | 25 R Window Vent     |
| 8 Brake line brkt | 17 Door Handle         | 26 Wiper head detail |
| 9 Hood pin plate  | 18 Side view mirror    |                      |



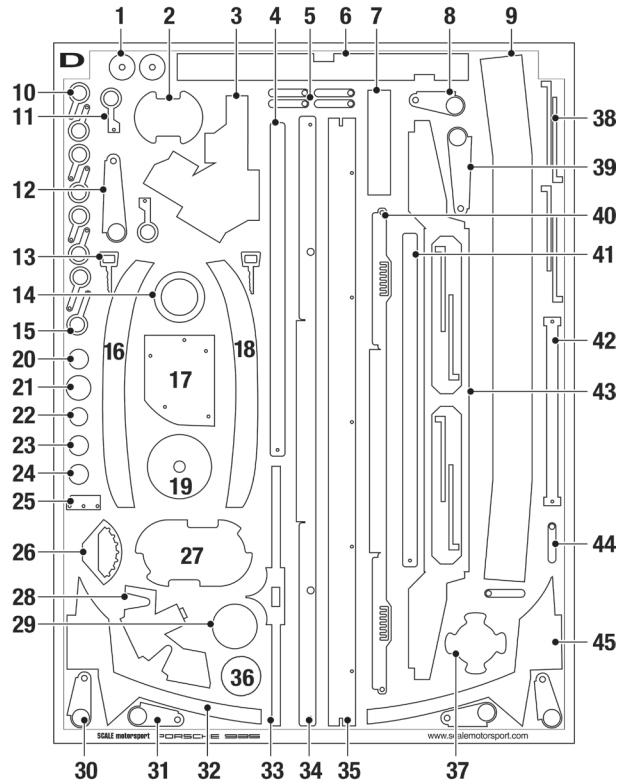
- |                    |                          |                            |
|--------------------|--------------------------|----------------------------|
| 1 Outer Brake Disc | 5 Brake Pedal            | 9 Throttle Linkage         |
| 2 Front Hub Detail | 6 Rear Inner Brake Disc  | 10 Front Inner Disc Detail |
| 3 Disc Vents       | 7 Front Inner Brake Disc | 11 Front Disc Detail       |
| 4 Clutch Pedal     | 8 Rear Hub Detail        |                            |



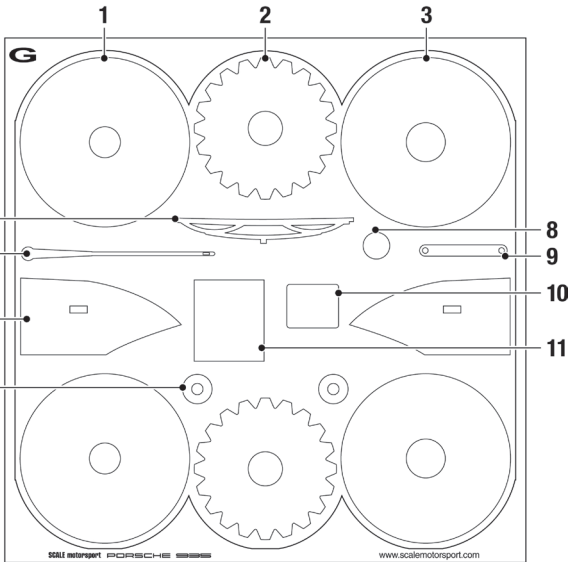
- |                    |                  |                   |
|--------------------|------------------|-------------------|
| 1 Rim Insert       | 5 Rim Insert     | 9 Rear Susp. Arm  |
| 2 Wiper Arm Detail | 6 Rear Susp. Arm | 10 Mounting Plate |
| 3 Rim Insert       | 7 X-Brace Mounts | 11 Mounting Plate |
| 4 Rear Vent        | 8 Buck           |                   |



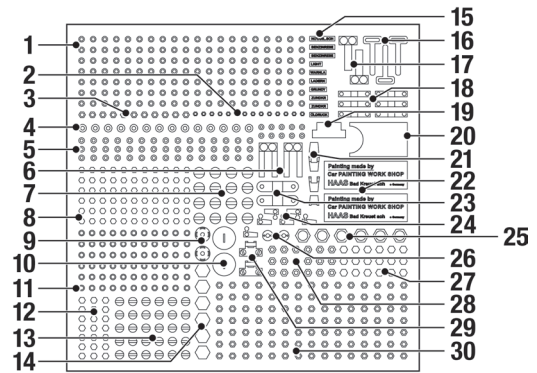
- |                       |                       |                             |
|-----------------------|-----------------------|-----------------------------|
| 1 Seat Belt           | 15 Radiator Mesh      | 29 Throttle Linkage         |
| 2 Bolt Heads          | 16 Seat Bracket       | 30 Happy Knob Detail        |
| 3 Mounting Plate      | 17 Alternator Bracket | 31 Fuel Access Plate Detail |
| 4 Drill Template      | 18 Mounting Plate     | 32 Seat Belt                |
| 5 Banjo Fitting       | 19 Seat Bracket       | 33 Clutch Pedal Detail      |
| 6 Shock Mt. Plate     | 20 Dash B             | 34 Extinguisher Brace       |
| 7 Front Tow Hook      | 21 Tail Deflector     | 35 Extinguisher Brace       |
| 8 Shock Mt. Plate     | 22 Dash Buttons       | 36 Extinguisher Brace       |
| 9 Dash Lights         | 23 Alternator Fan     | 37 Rear Tow Hook            |
| 10 Pedal Base         | 24 Seat Belt          | 38 Foot Rest                |
| 11 Seat Bracket       | 25 Dash Buttons       | 39 Radiator Mesh            |
| 12 Extinguisher Brace | 26 Throttle Linkage   | 40 Seat Bracket             |
| 13 Hub Detail         | 27 Dash Button        | 41 Tail Deflector           |
| 14 Seat Belts         | 28 NACA Plate         | 42 Happy Knob Detail        |



- |                     |                         |                       |
|---------------------|-------------------------|-----------------------|
| 1 R deck pin plates | 17 Heat shield          | 33 Fluid res. brace   |
| 2 Fuel access plate | 18 Body mesh            | 34 Seat bracket       |
| 3 Shifter bracket   | 19 Alternator           | 35 Wickerbill         |
| 4 Window?           | 20 Gauge                | 36 Weld for dry brake |
| 5 Plug clips        | 21 Gauge                | 37 Filler plate       |
| 6 Belt?             | 22 Gauge                | 38 Hose clamps        |
| 7 Turbo heat shield | 23 Gauge                | 39 Throttle linkage   |
| 8 Throttle linkage  | 24 Gauge                | 40 Seat bracket       |
| 9 Radiator shroud   | 25 Happy knob bracket   | 41 Window?            |
| 10 Wire loom        | 26 Sway-bar adj. detail | 42 Reservoir bracket  |
| 11 Wire loom        | 27 Filler plate         | 43 Radiator stay      |
| 12 Throttle linkage | 28 Sway-bar adj. detail | 44 Plug clips         |
| 13 Key              | 29 Gauge                | 45 Hood pin base      |
| 14 Fan collar       | 30 Throttle linkage     | 46 Plate              |
| 15 Wire loom        | 31 Throttle linkage     |                       |
| 16 Body mesh        | 32 Hood pin base plate  |                       |



- |              |                     |                      |
|--------------|---------------------|----------------------|
| 1 Rim Insert | 5 Wiper Arm         | 9 Alternator Bracket |
| 2 Rim Insert | 6 Spacer Bracket    | 10 Buck              |
| 3 Rim Insert | 7 Alternator Detail | 11 Buck              |
| 4 Wiper Head | 8 Boost Knob Base   |                      |

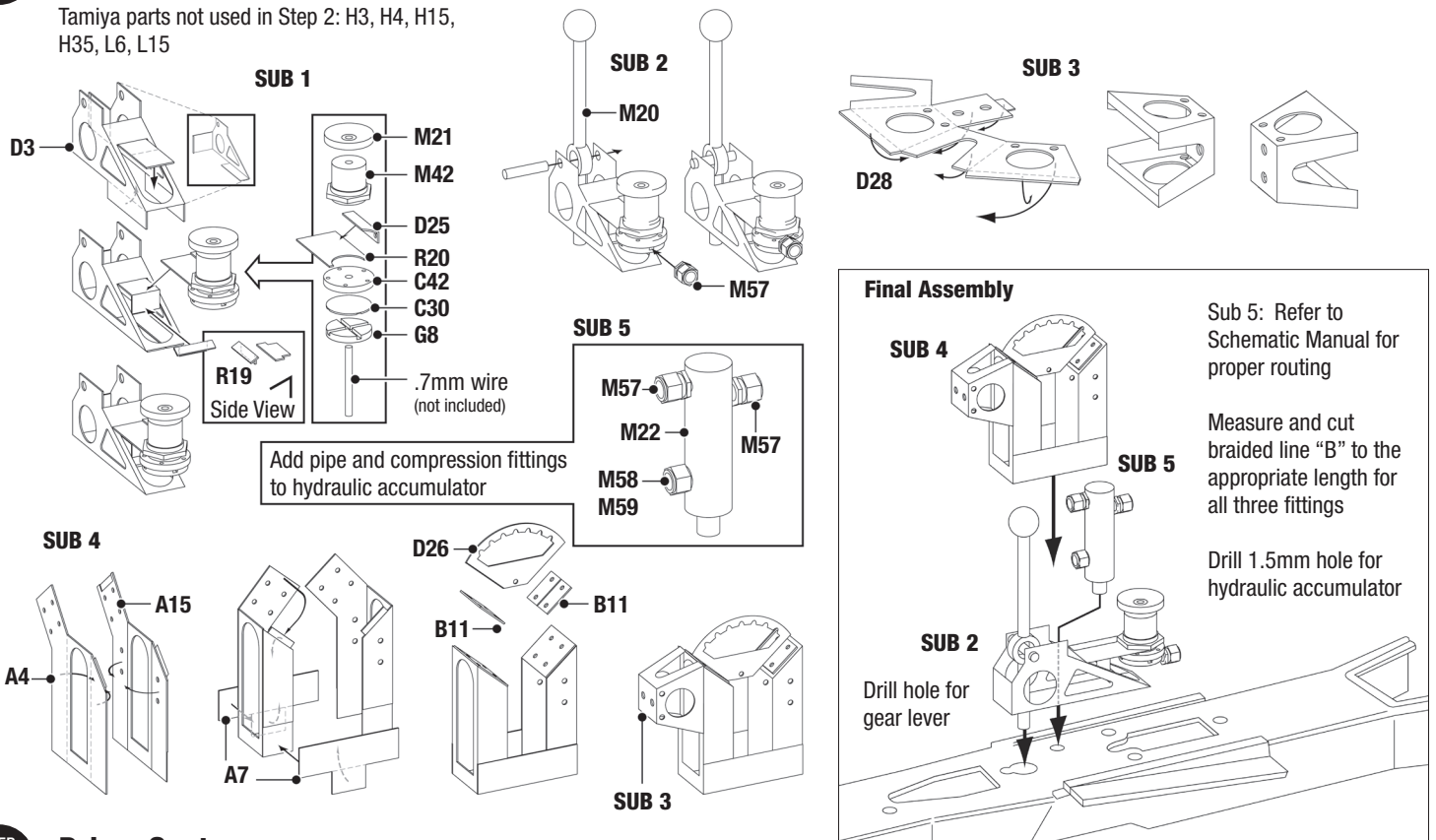


- |                                  |                              |   |
|----------------------------------|------------------------------|---|
| 1 Rim rivets                     | 9 Dash switch plates         | 21 Window locks                         |
| 2 Rivets                         | 10 Key plate                 | 22 ID badges                            |
| 3 Fan strap bolt heads           | 11 Rivet                     | 23 Fan strap                            |
| 4 Rivets for fuel door A16       | 12 Fan collar bolt heads     | 24 Window locks                         |
| 5 Rivets for B1, 7, 9, 27 & D17  | 13 Hub Plate detail          | 25 1/2" bolt heads with mounting nipple |
| 6 Hinges for fuel door A16       | 14 1/2" bolt heads           | 26 Dash switch plates                   |
| 7 Bolt heads for window clips A3 | 15 Dash control labels       | 27 1/4" bolt head                       |
| 8 Fuel filler collar bolt heads  | 16 Seat Belt detail          | 28 1/4" bolt heads with mounting nipple |
|                                  | 17 Hinges for fuel door A16  | 29 Window locks                         |
|                                  | 18 Pedal brackets            | 30 Fuel filler plate bolt heads         |
|                                  | 19 Mount for shifter bracket |   |
|                                  | 20 Mount for happy knob      |   |

**STEP 2**

**Propeller Shaft Tunnel**

Tamiya parts not used in Step 2: H3, H4, H15, H35, L6, L15

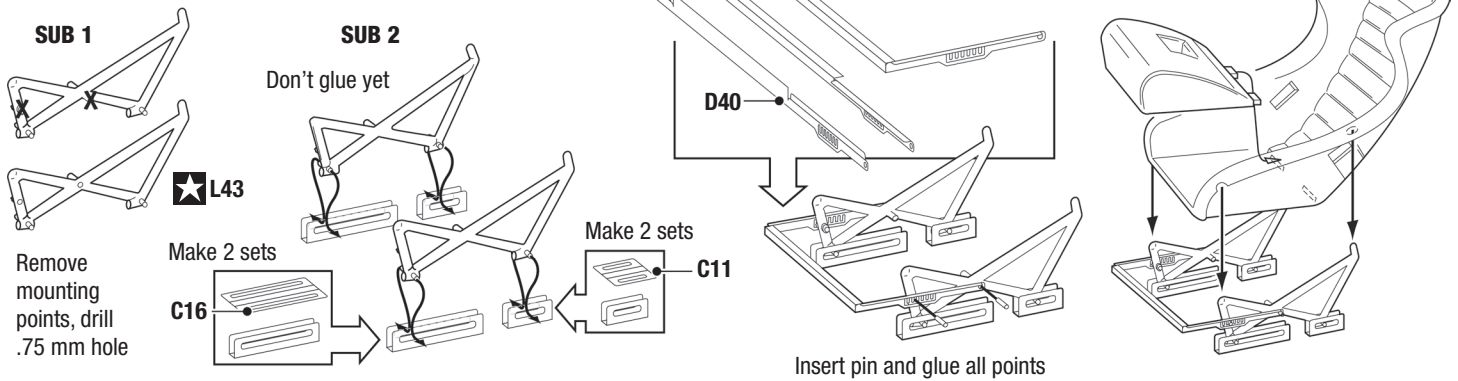


**STEP 3**

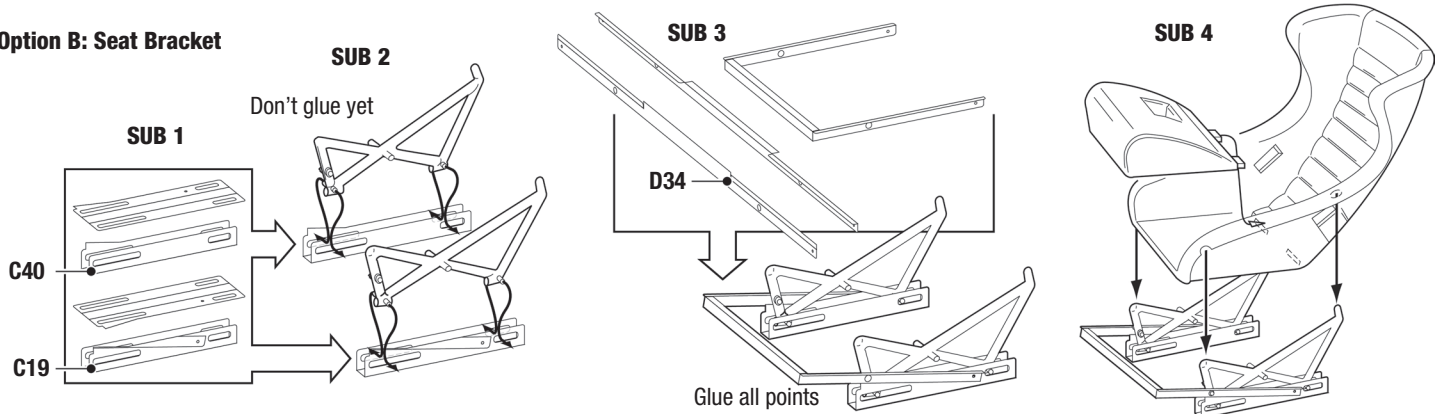
**Driver Seat**

Tamiya Parts not used in Step 3: L36, L37, L38, L39, L42

**Option A: Seat Bracket**



**Option B: Seat Bracket**





STEP 6

### Front Damper

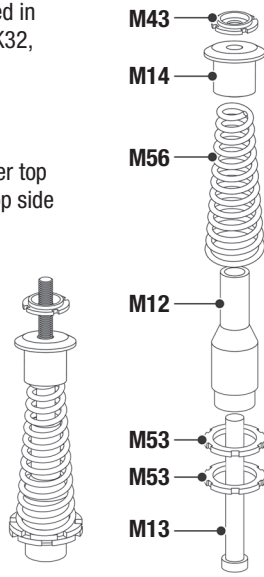
Tamiya parts not used in Step 6: Coil Spring, K32, K33, K35

Make 2 sets

Part M43 shock tower top is placed from the top side of the chassis

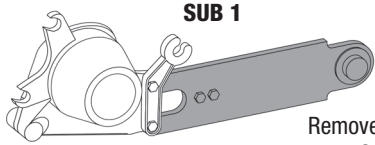
Use the screw from Step 6 in the Tamiya instructions (2x24)

The threaded end will need to be cut. Save the excess threaded rod for the rear damper



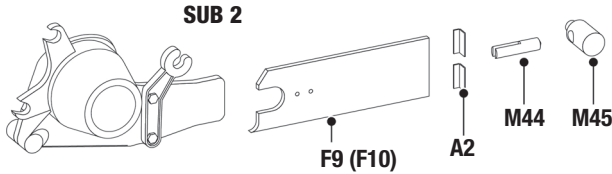
STEP 9

### Rear Suspension Arm

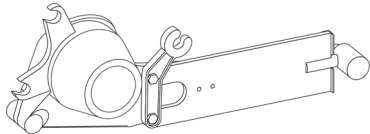


★ C18 (C17)

Remove arm from Tamiya parts C17 & C18



Final View



STEP 12

### Rear Damper

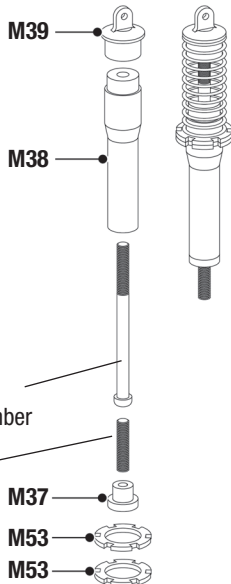
Tamiya parts not used in Step 12: K35, K40

Make 2 sets

Insert Tamiya coil

Tamiya screws, refer to Tamiya instruction manual for part number

Left over from front damper



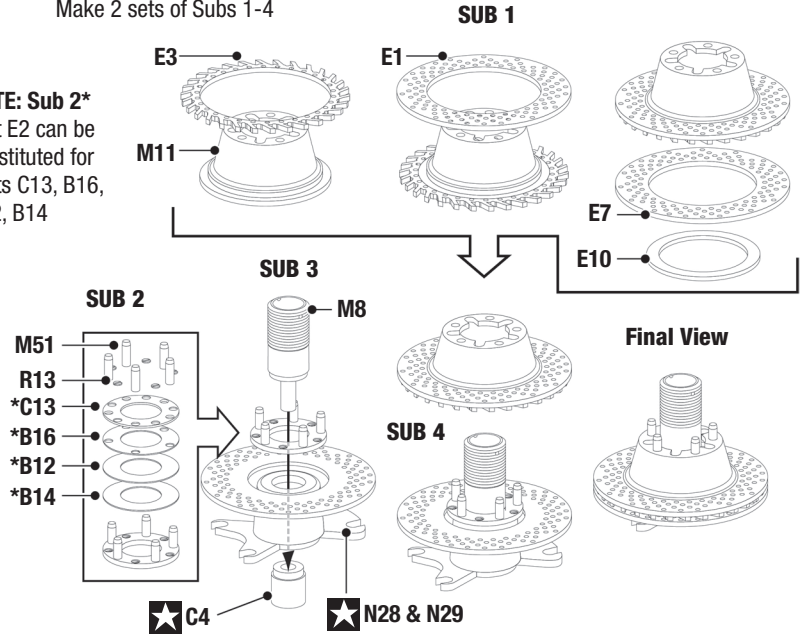
STEP 7

### Front Disc Brakes

Tamiya parts not used in Step 7: 2 mm nut, K42 K43, K44, K45

Make 2 sets of Subs 1-4

NOTE: Sub 2\* Part E2 can be substituted for parts C13, B16, B12, B14



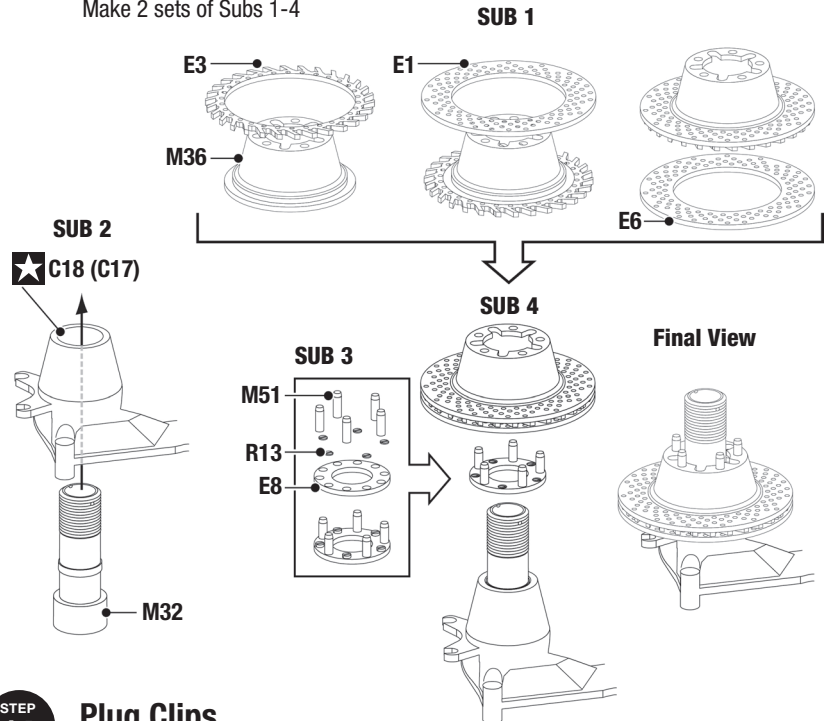
Final View

STEP 11

### Rear Disc Brakes

Tamiya parts not used in Step 11: 2 mm nut, C5, K46, K47, K48, K49

Make 2 sets of Subs 1-4

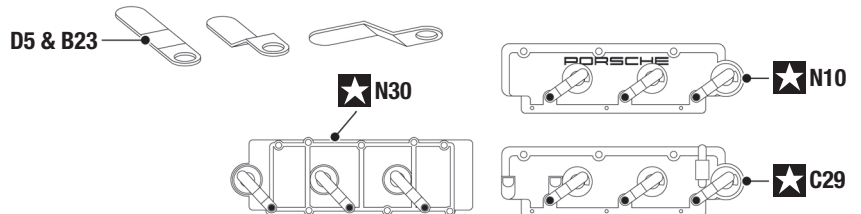


Final View

STEP 14

### Plug Clips

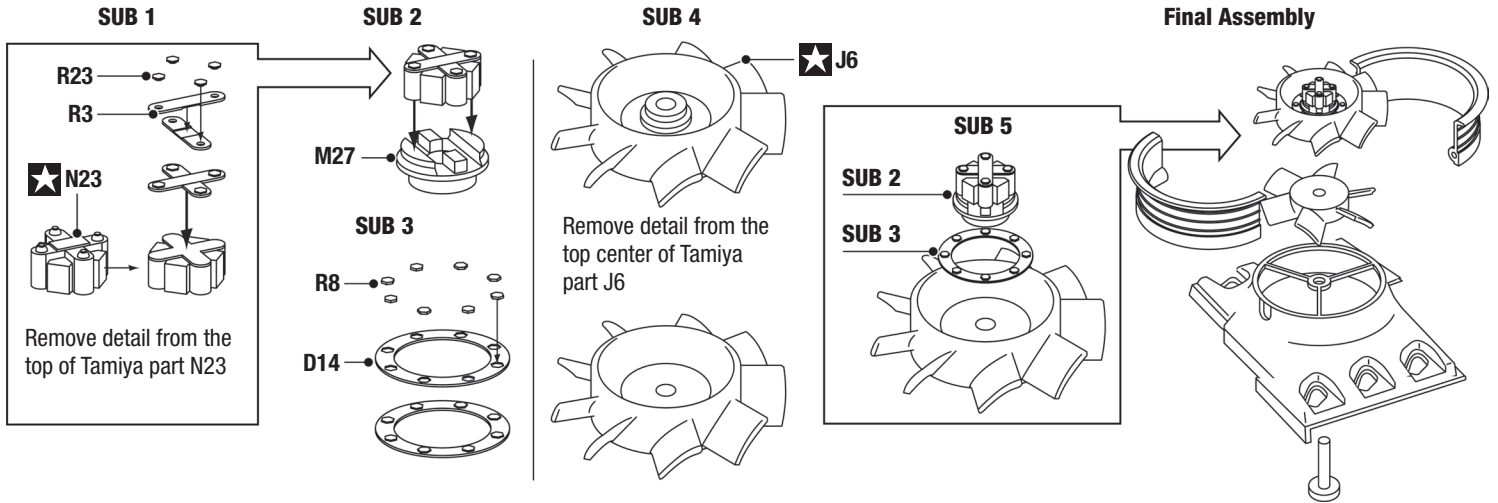
NOTE: Plug clips (12) D5 and B29 are all the same parts



**STEP 16**

**Cooling Fin Duct**

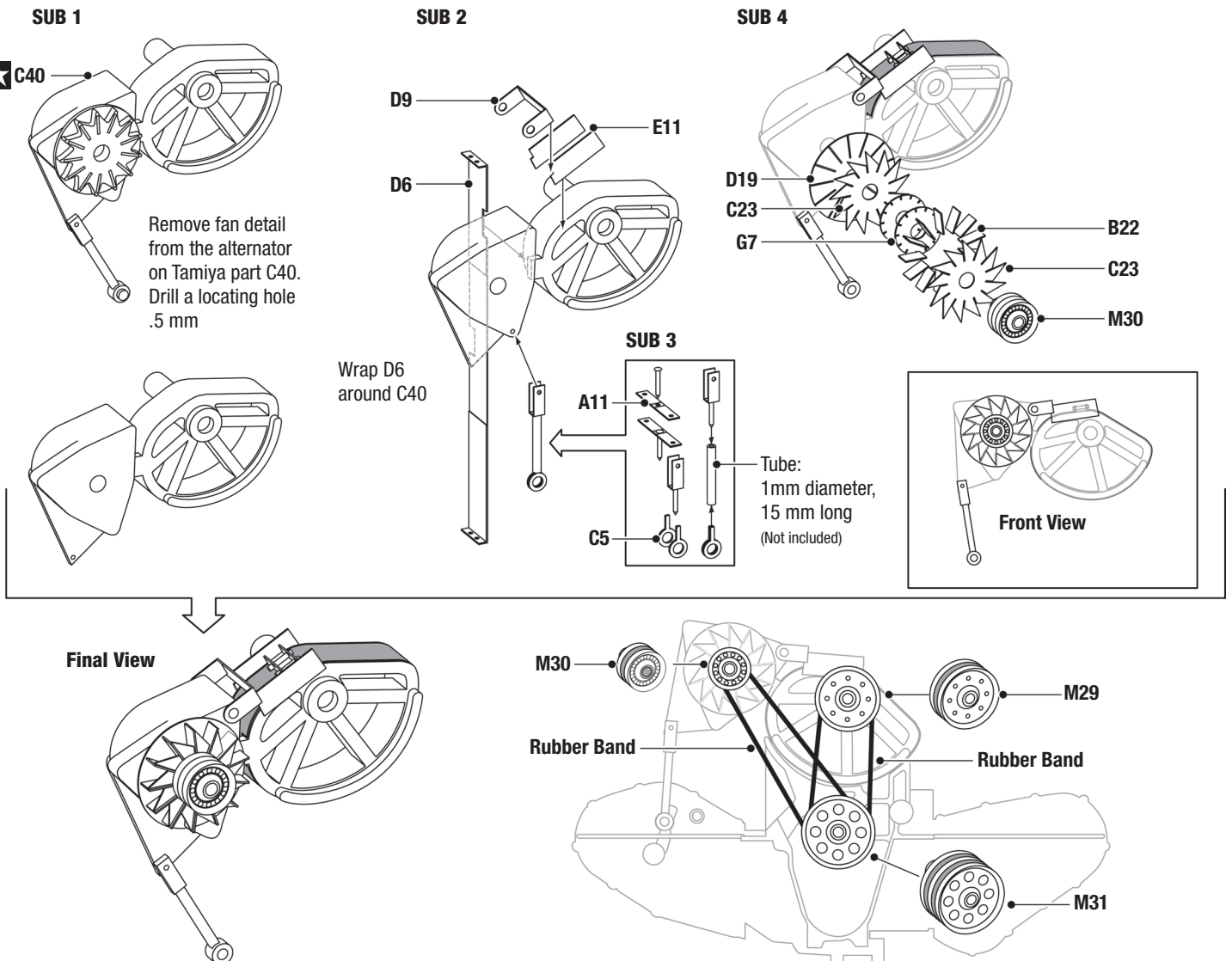
Tamiya part not used in Step 16: N23



**STEP 17**

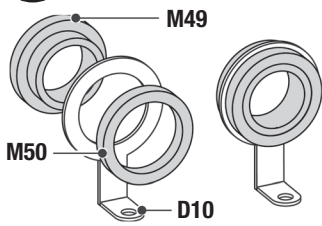
**Alternator Fan / Pulleys**

Tamiya parts not used in Step 17: C39, C37, N20, N21, N22, C36



STEP 17

### Wire Looms

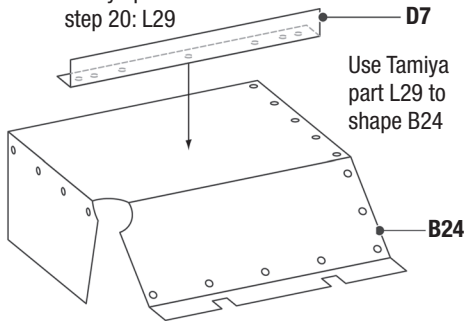


D10, D11 & D15 assembly is the same for all three wire loom centers

STEP 20

### Turbo Heat Shield

Tamiya part not used in step 20: L29

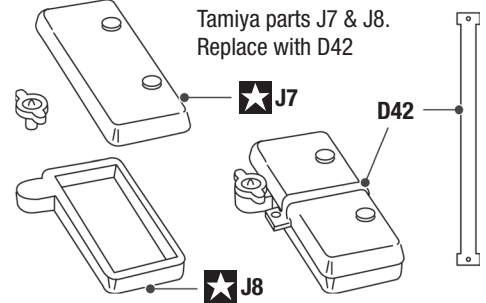


Use Tamiya part L29 to shape B24

STEP 24

### Water Reservoir Tank

Remove bracket from Tamiya parts J7 & J8. Replace with D42

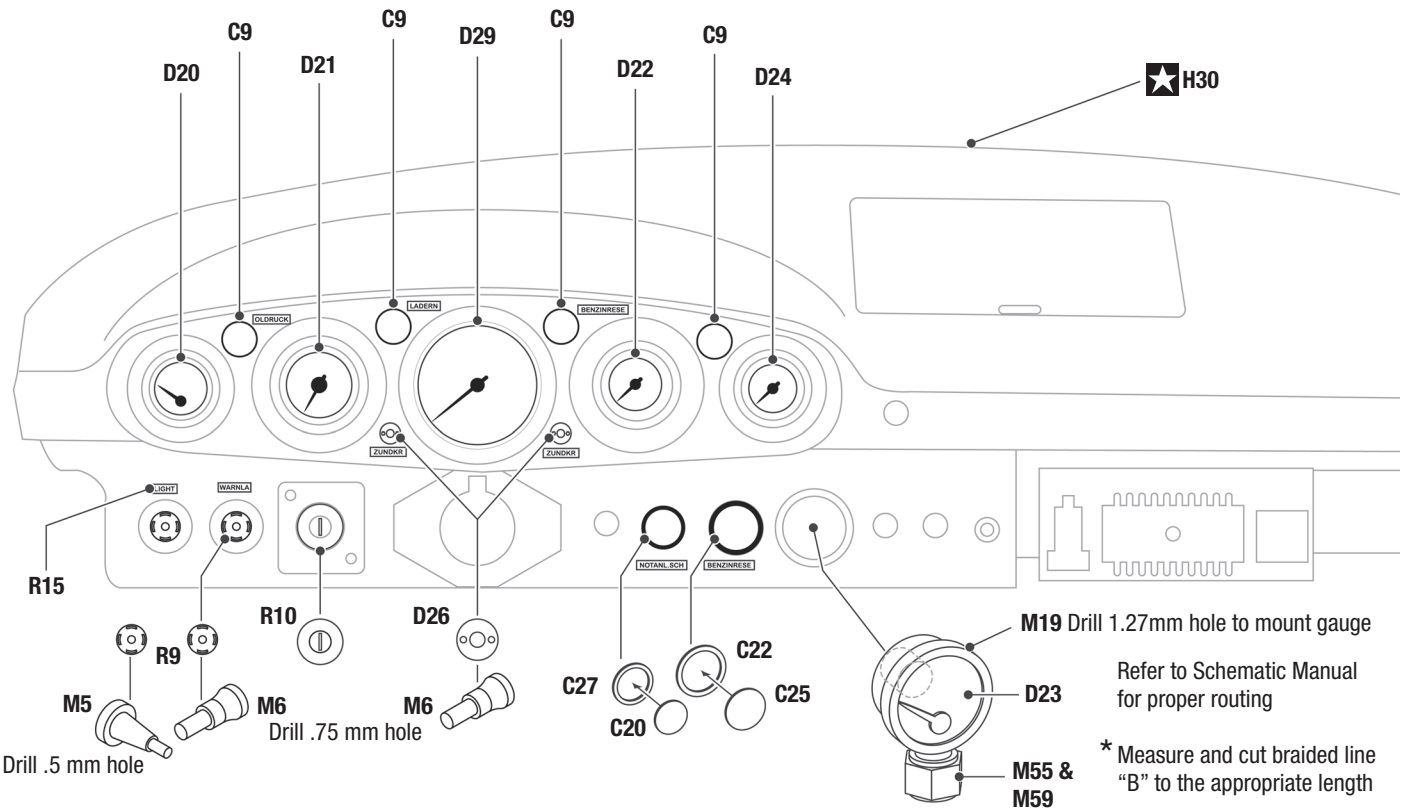


STEP 25

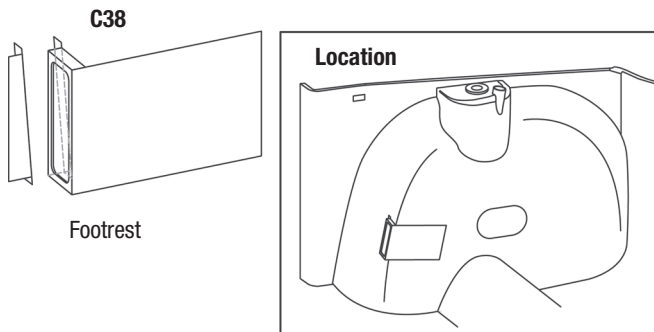
### Dashboard

Tamiya parts not used in Step 25: T1, U2, K19, K21, K27, K25

Parts C9, place a drop of clear glue on the face to create a dome to represent a dash light



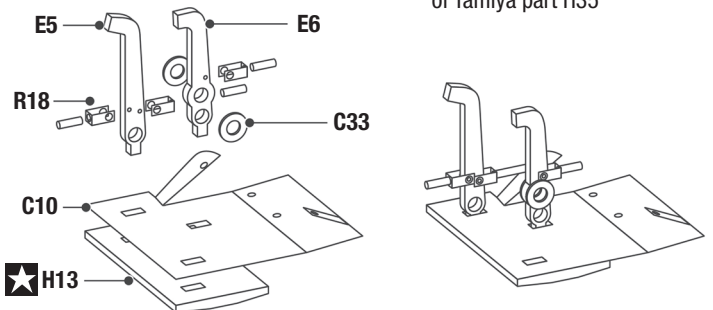
### Wire Looms



### Turbo Heat Shield

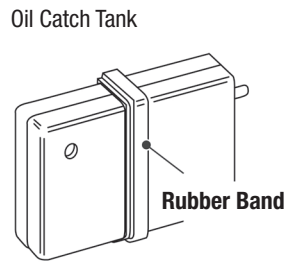
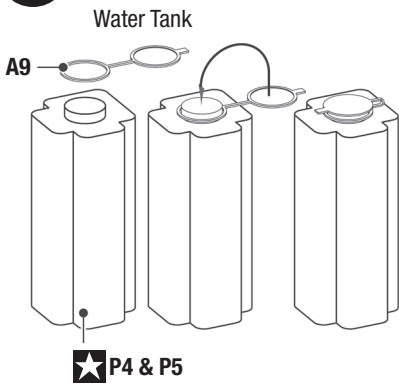
Tamiya parts not used: H15 & H35

Bend E5 to match shape of Tamiya part H35



**STEP 26**

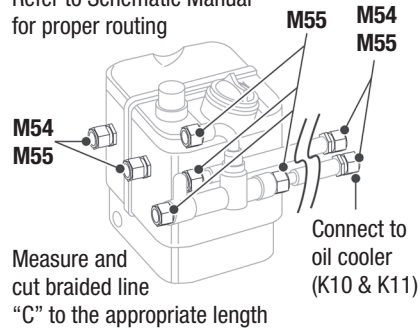
**Engine Parts C**



Don't remove the molded-in strap, and don't paint it, just add the supplied rubber band

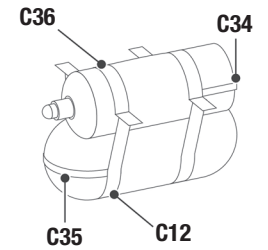
Oil Tank

Refer to Schematic Manual for proper routing



Extinguisher

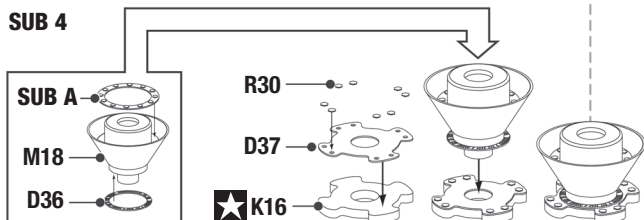
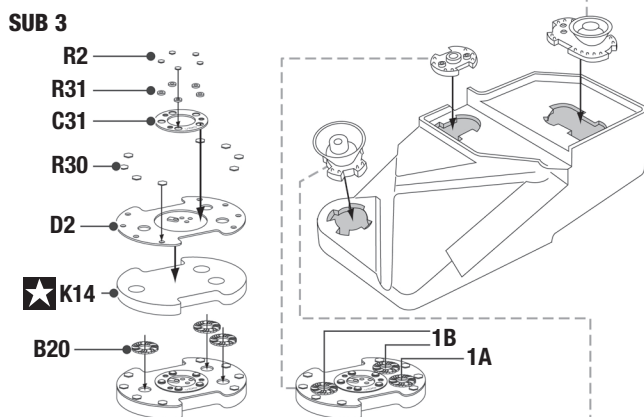
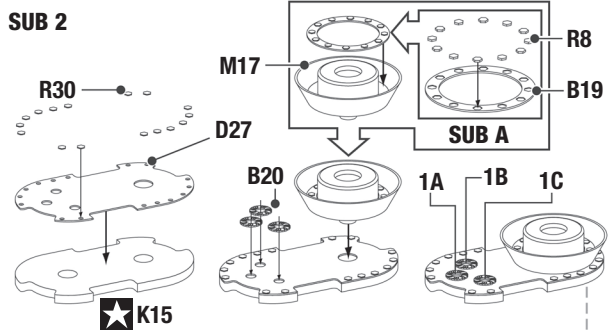
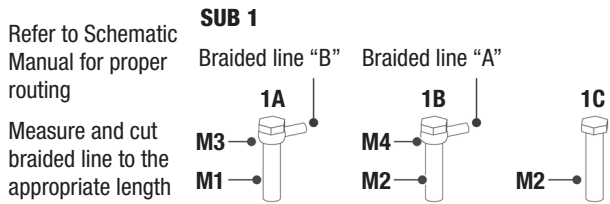
Remove molded brackets from extinguishers



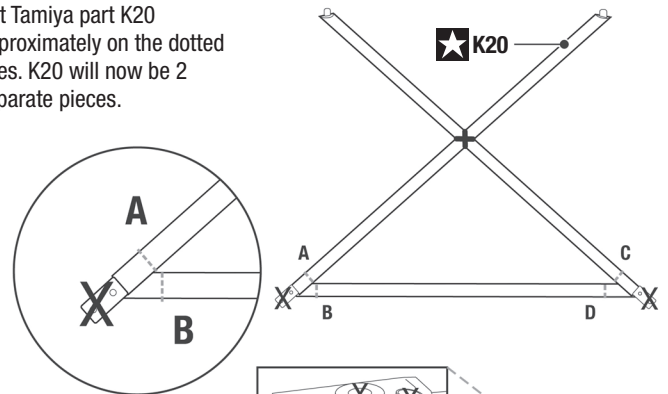
**STEP 29**

**Fuel Tank**

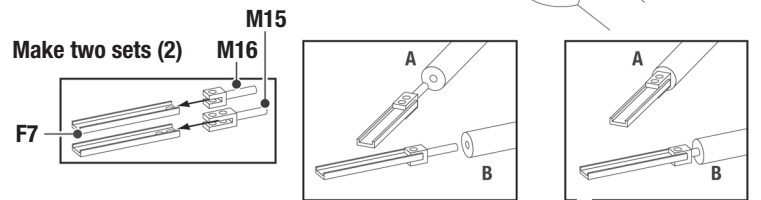
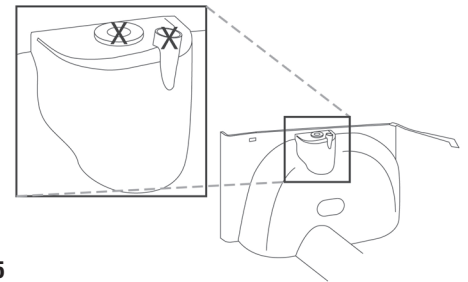
Tamiya parts not used in Step 29: K12, K13, Q4, Q10  
Sand the top flat on Tamiya parts K14, K15, K16



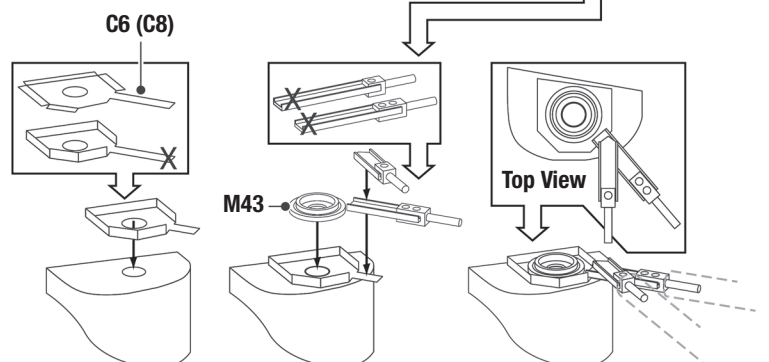
Cut Tamiya part K20 approximately on the dotted lines. K20 will now be 2 separate pieces.



Remove detail molded into the shock tower on both sides of the chassis



Parts F7, C6 & C8 will need to be trimmed to fit, depending on your cut of K20

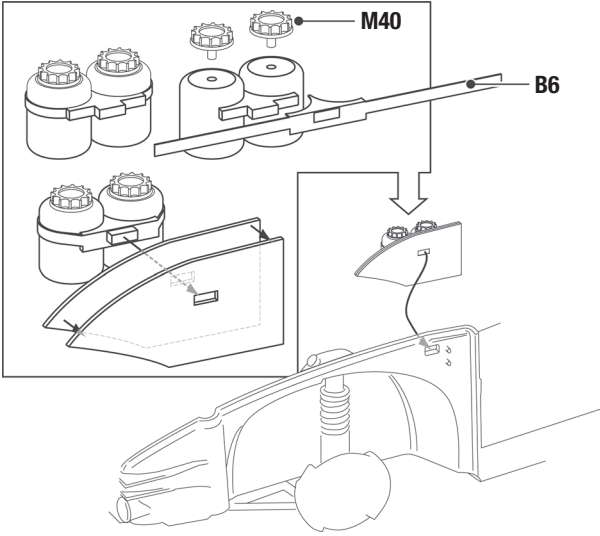




STEP  
27

## Master Cylinder

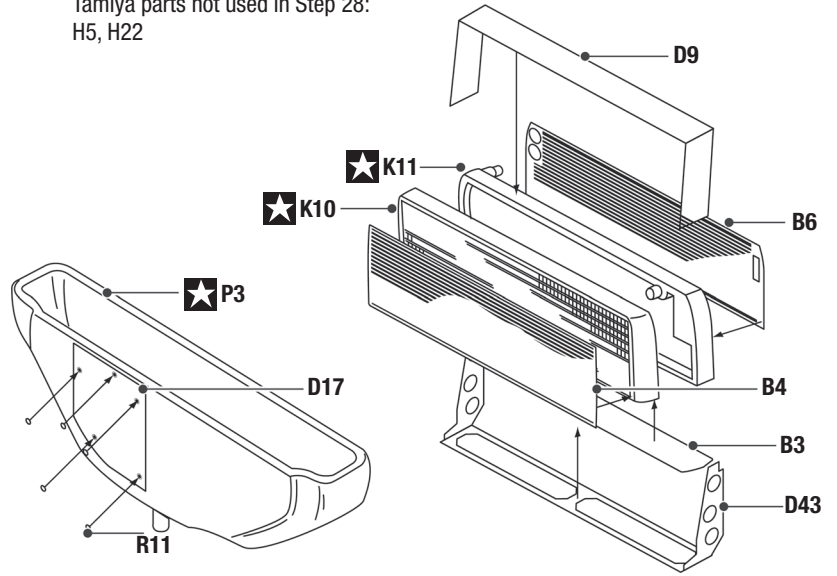
Remove strap and caps from Tamiya part J16



STEP  
28

## Front End

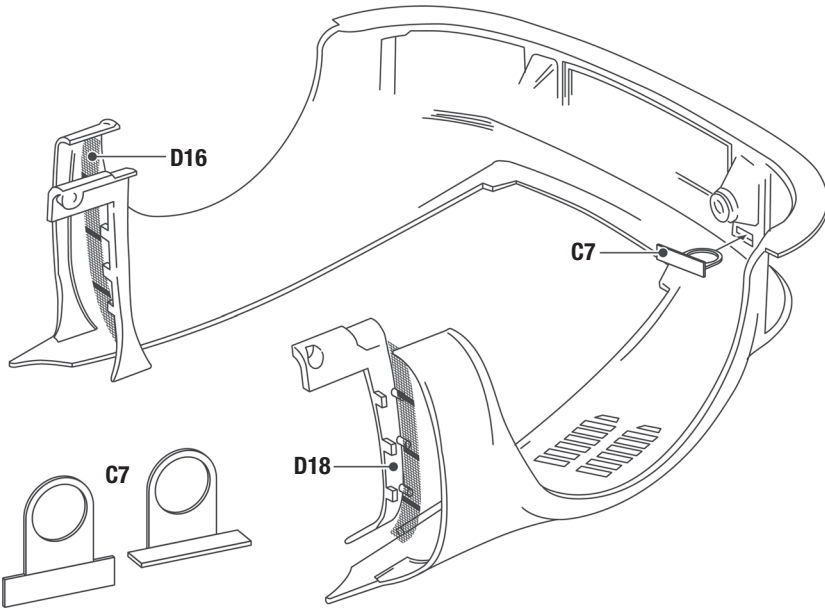
Tamiya parts not used in Step 28:  
H5, H22



STEP  
31

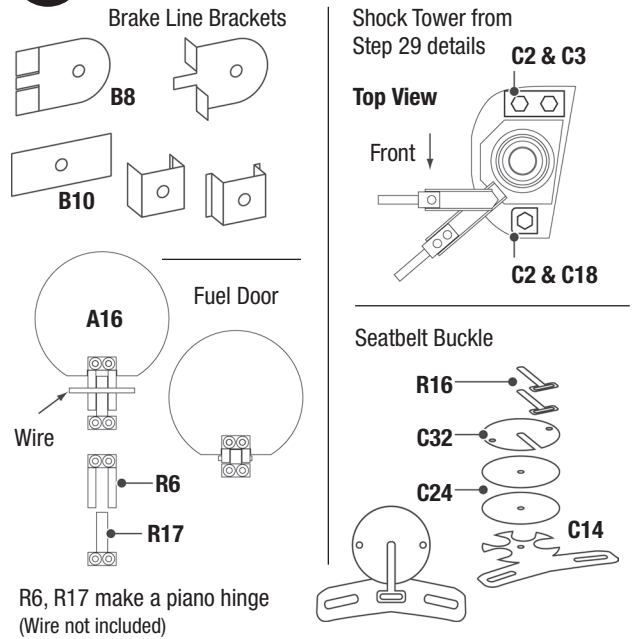
## Front Body

Tamiya parts not used in Step 31: R23



STEP  
28

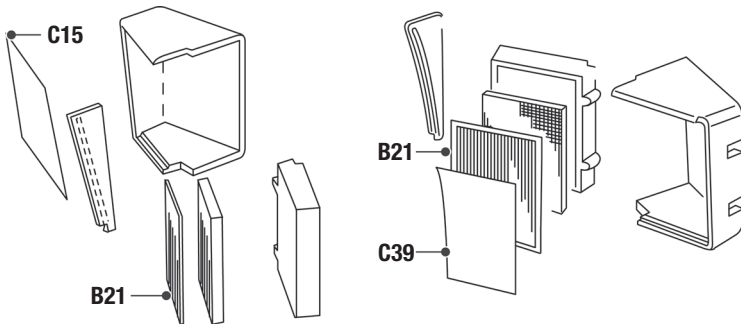
## Miscellaneous



STEP  
32

## Side Radiators

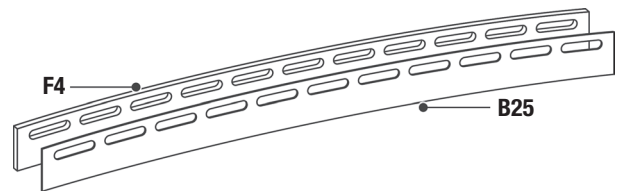
Tamiya parts not used in Step 32: Wire Mesh



STEP  
33

## Rear Window

Tamiya parts not used in Step 33: A14

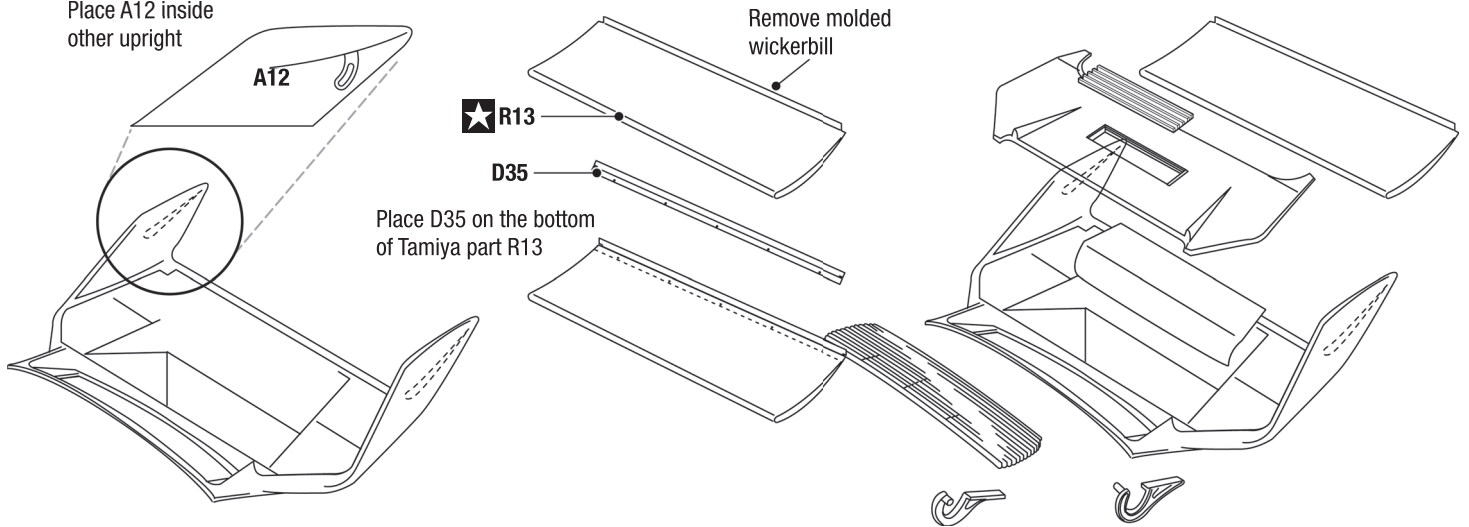


Once F4 & B25 are combined, they replace  
Tamiya part A14

STEP  
34

## Rear Deck

Place A12 inside  
other upright

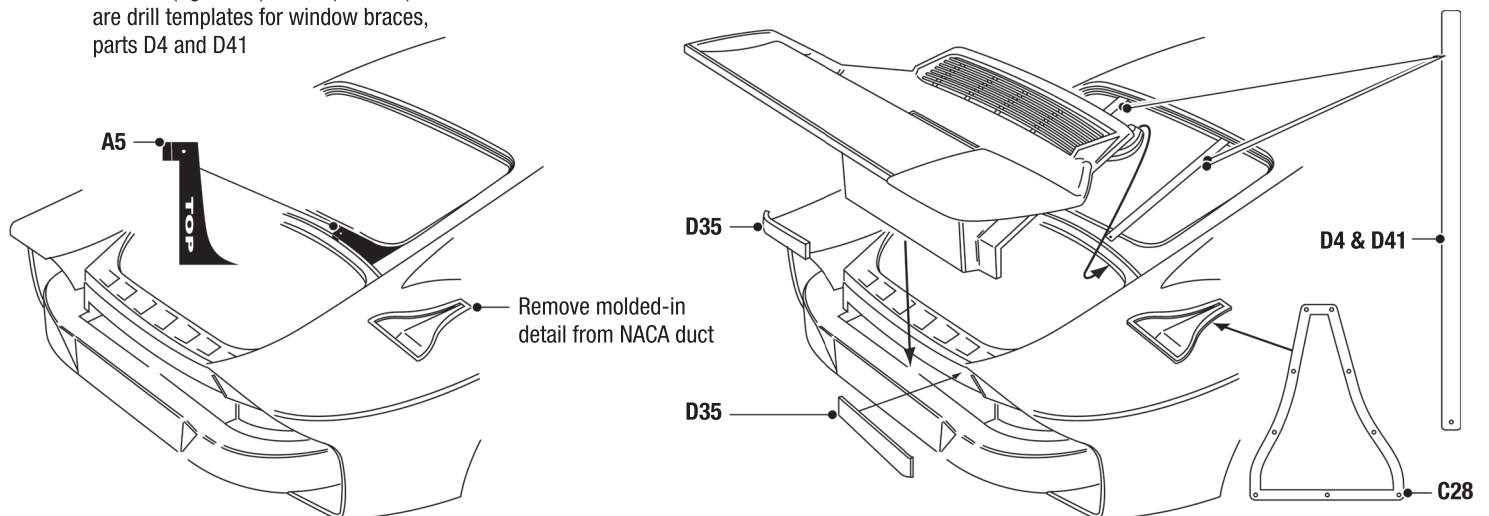


STEP  
35

## Rear End

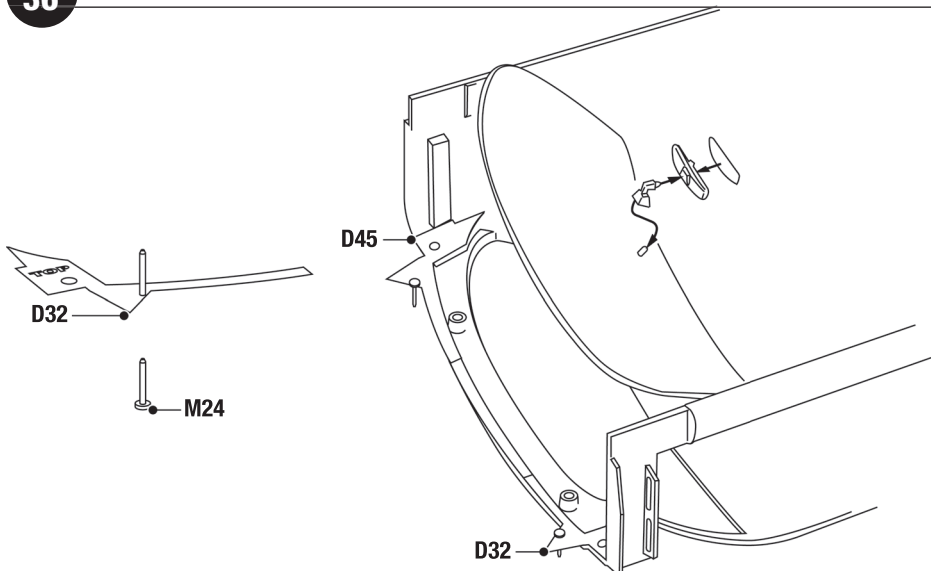
Tamiya parts not used in Step 35: H24, H25

Parts A5 (right side) & A17 (left side)  
are drill templates for window braces,  
parts D4 and D41



STEP  
36

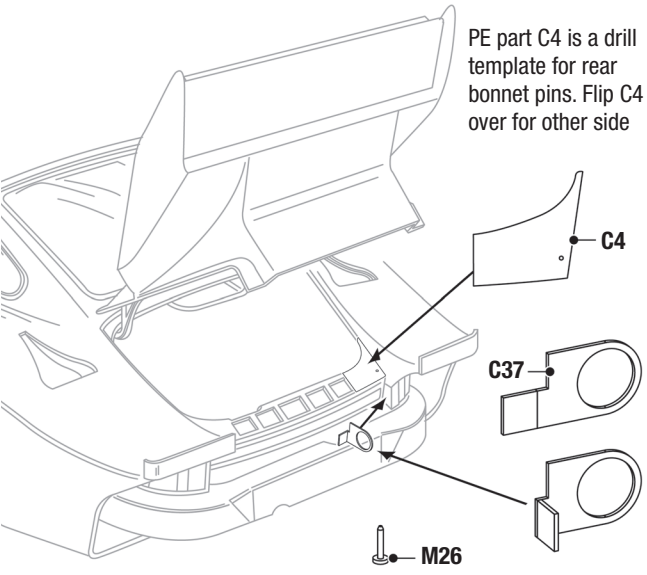
## Rear End



STEP  
37

## Rear Tow Hook

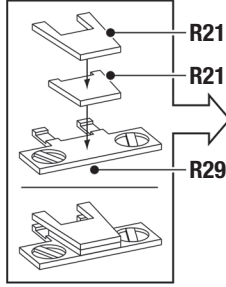
Tamiya parts not used in Step 37: R22



STEP  
38

## Doors

SUB 1

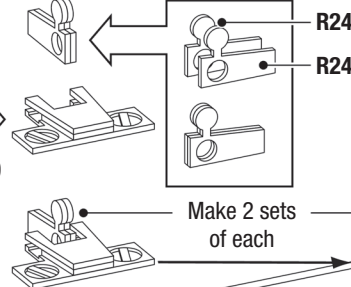


Place window lock at midpoint of the clear Tamiya parts D3 & D11 (etched line)

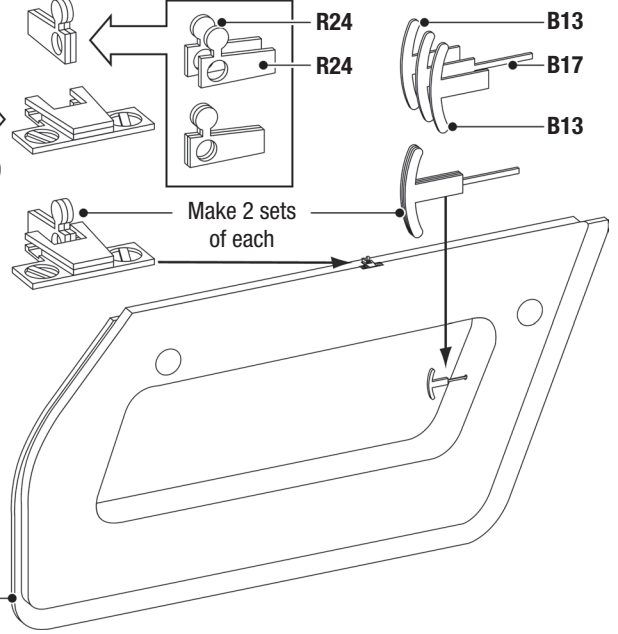
Drill small hole from the back side of Q2 & Q3 for the door handle (B13, B17)

★ Q2 (Q3)

SUB 2



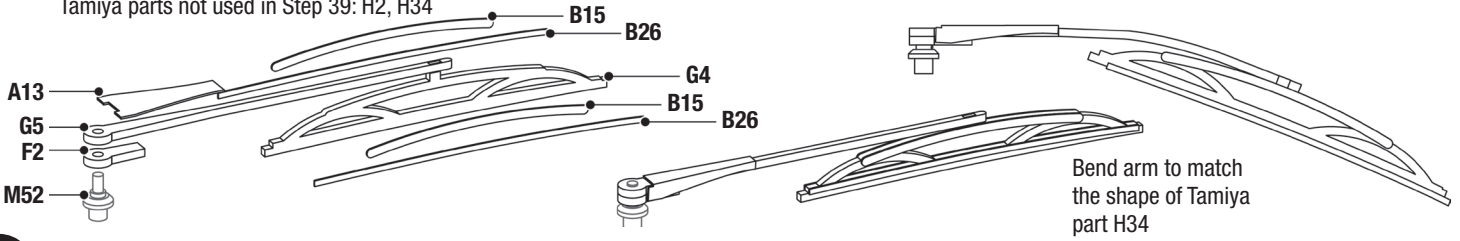
SUB 3



STEP  
39

## Windshield Wiper

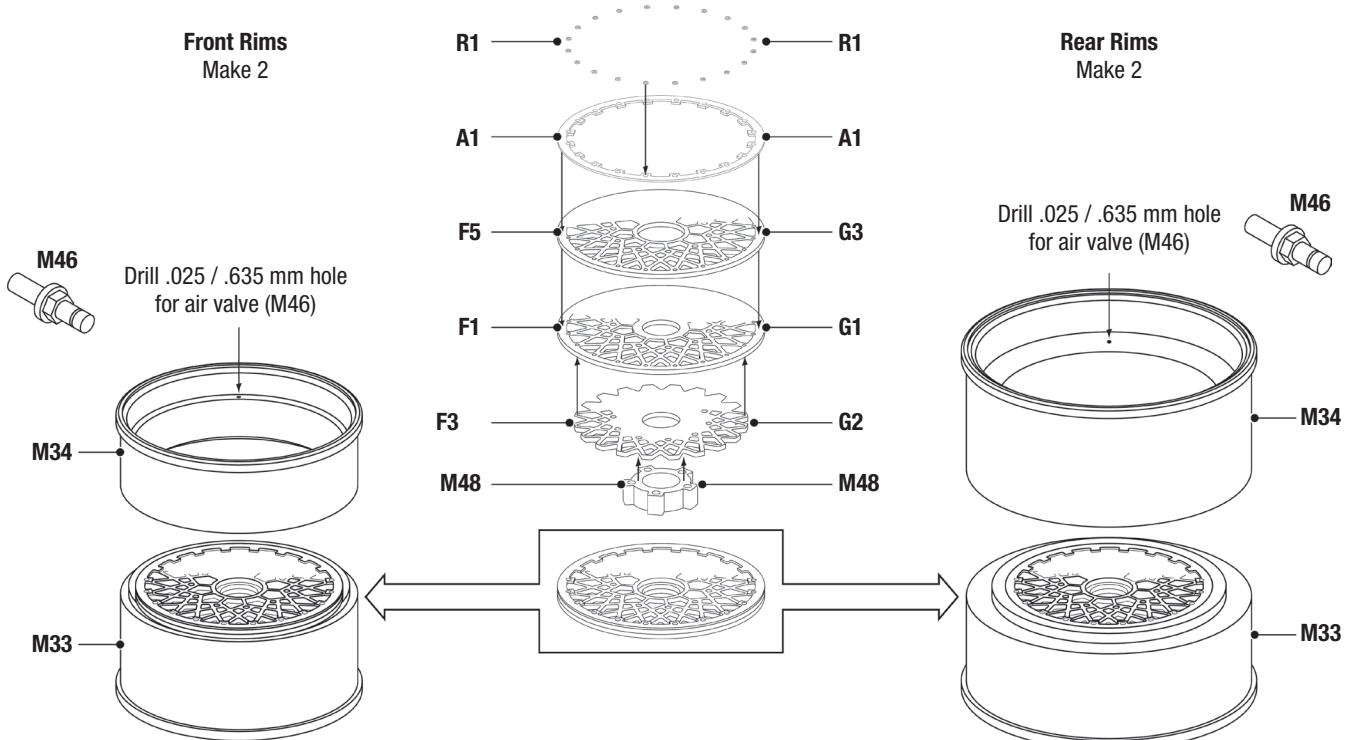
Tamiya parts not used in Step 39: H2, H34



STEP  
41

## Rims

Tamiya parts not used in Step 41: H12, H16, L35, L40, L41, L52, L53



**SCALE**  
motorsport

**BUILD SOMETHING!**

Scale Motorsport  
PO Box 1768  
Shelter Island, NY 11964  
USA

[www.scalemotorsport.com](http://www.scalemotorsport.com)

© Scale Motorsport 2021

Printed in U.S.A.

