



URC/SRC/SRK(-F/-H/-J)

REMOTE CONDENSER SERIES



URC/SRC/SRK(-F/-H/-J)
04/27/17
Item # 13084

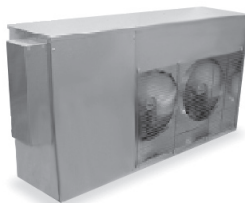
	Ice Machines	Shipping Weight	Line Sets - PRE-CHARGED		
			20' Length	35' Length	55' Length
URC-5F	KM-515MRH, KM-650MRH, KMD-530MRH, FD-650MRH-C, F-1002MRJ, F-1002MRJ-C, FD-1001MRJ(-C)	60 Lbs.	R404-2046-2	R404-3546-2	N/A
URC-9F	KML-700MRJ, KMD-850MRH, KM-901MRH(3) KM-901MRH50, KMD-901MRH	95 Lbs.	R404-2068-2	R404-3568-2	R404-5568-2
SRC-10H	FS-1001MLH-C, FS-1022MLH-C	180 Lbs.	R404-20410	R404-35410	R404-55410
SRC-14H	FS-1500MLH-C	235 Lbs.	R404-20610	R404-35610	R404-55610
SRK-12H SRK-12H3	KMS-1122MLH	273 Lbs.	R404-20810	R404-35810	R404-55810
SRK-14J SRK-14J3	KMS-1401MLJ	275 Lbs.	R404-20810	R404-35810	R404-55810
URC-14F	KM-1100MRH, KM-1301SRH(3), KM-1340MRH(3) F-1501MRJ(-C)	110 Lbs.	R404-2068-2	R404-3568-2	R404-5568-2
URC-22F	KM-1601MRH(3), KM-1601SRH(3), KM-1900SRH(3) KM-2100SRJ3, KMH-2000SRH(3), F-2001MRH(3)(-C)	165 Lbs.	R404-20610	R404-35610	R404-55610
URC-26J	KM-2600SRJ3	273 Lbs.	R404-20610	R404-35610	R404-55610

		Shipping Weight	Line Sets - BRAZING REQUIRED		
			25' Length	35' Length	55' Length
SRK-8H SRK-8H3	KMS-830MLH	206 Lbs.	HS-0250*	HS-0251*	HS-0252*
SRK-10H	KMS-822MLH	273 Lbs.	HS-0250*	HS-0251*	HS-0252*
SRK-20H SRK-20H3	KMS-2000MLH	325 Lbs.	HS-0243*	HS-0244*	HS-0245*

* Line sets require Refrigerant



URC-9F



SRK-14J

- Remote condensers for KM Series Cubers and F Series Flakers / Cubelets
- Quiet operation
- Improved efficiency; Energy savings
- Weather resistant cabinet for longer life
- May be installed outdoors up to 55 feet from icemaker using a pre-charged tubing kit
- For installations exceeding 55 feet, contact Factory Service Department

Warranty

Valid in United States, Canada, Puerto Rico, & U.S. Territories.
Contact factory for warranty in other countries

When used with KM Series Cubers:
Three Year - Parts & Labor on entire unit.
Five Year - Parts on; air-cooled condenser coil.
Five Year - Parts on; SRK Compressor

When used with F Series Flakers:
Three Year - Parts & Labor on entire unit.
Five Year - Parts on; air-cooled condenser coil.
Five Year - Parts on; SRC Compressor

Hoshizaki reserves the right to change specifications without notice.



Printed in the U.S.A.



URC/SRC/SRK(-F/-H/-J)

REMOTE CONDENSER SERIES



URC/SRC/SRK(-F/-H/-J)
04/27/17
Item # 13084

Electrical & Operating Limits

URC-5F / URC-9F / URC-14F / URC-22F / URC-26J

- 115V/60/1 (Connection to icemaker)
- Ambient Temp Range -20 - 122°F
- Voltage Range 104 - 127V

SRK-8H(3) / SRK-10H / SRK-12H(3) / SRK-14J(3) / SRK-20H(3)

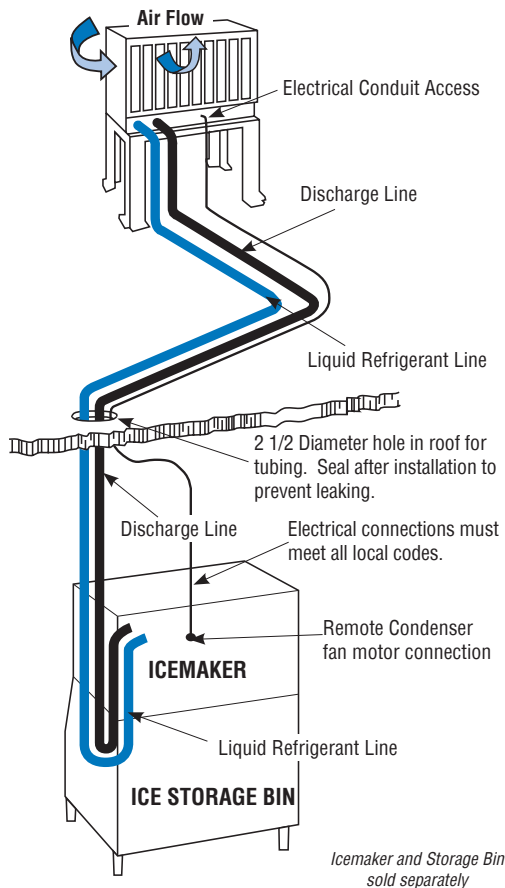
- 208-230V/60/1 (Connection to icemaker)
- 208-230V/60/3 (Connection to icemaker)
- Ambient Temp Range -20 - 122°F
- Voltage Range 187 - 253V

SRC-10H / SRC-14H

- 208-230V/60/1 (Connection to icemaker)
- Ambient Temp Range -4 - 122°F
- Voltage Range 187 - 253V

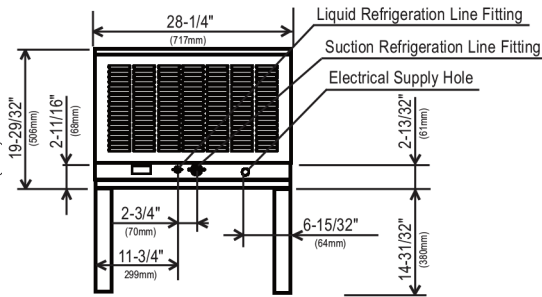
REMOTE CONDENSER INSTALLATION ON ROOF

For best performance allow 24 inch clearance for air circulation. Remote condenser should not be more than 33 feet above the KM Icemaker or no more than 10 feet below it. These distances are measured from fitting to fitting.

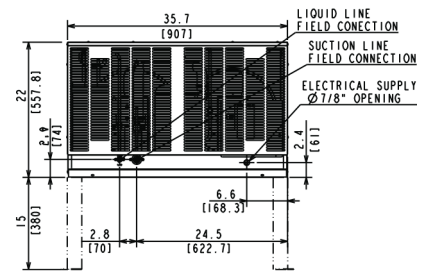


Tubing Kits

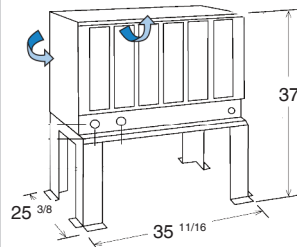
(Sold Separately)
Refer to SPECIFICATIONS table to determine appropriate Tubing Kit Number for Remote Condenser Unit Specified.



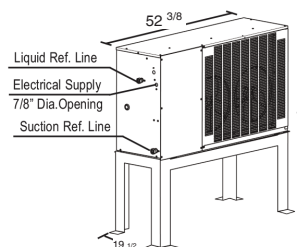
SRC-10H
28 1/4 x 25 3/8 x 34 7/8
W x D x H



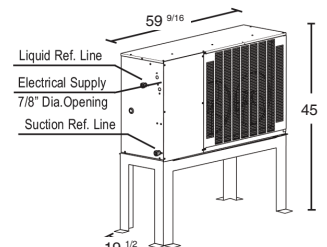
SRC-14H
35 7/10 x 25 3/8 x 37
W x D x H



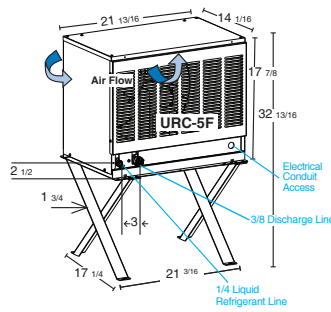
SRK-8H(3)
35 11/16 x 25 3/8 x 37
W x D x H



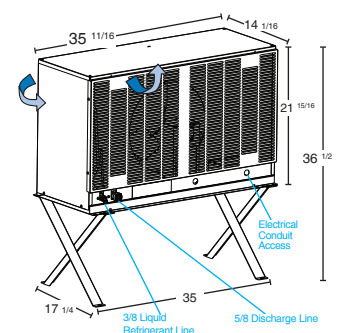
SRK-10H / SRK-12H(3) / SRK-14J(3)
52 3/8 x 19 1/2 x 43
W x D x H



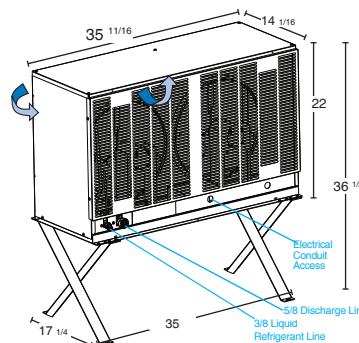
SRK-20H(3)
59 9/16 x 19 1/2 x 45
W x D x H



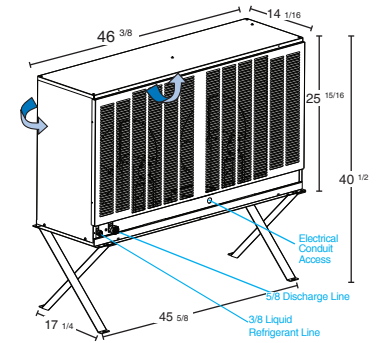
URC-5F
21 13/16 x 14 1/16 x 32 13/16
W x D x H



URC-9F
35 11/16 x 14 1/16 x 36 1/2
W x D x H



URC-14F
35 11/16 x 14 1/16 x 36 1/2
W x D x H



URC-22F / URC-26J
46 3/8 x 14 1/16 x 40 1/2
W x D x H