

ROLLING BIG POWER

STEALTH POWER™

RUNNING BOARDS

INSTALLATION GUIDE

INSTALLATION COVERS

PART# RBP-305-SP-XD

PART# RBP-306-SP-XD

FOR APPLICATIONS:

1999-2016 Ford F250/F350 Double (Extended) Cab

1999-2016 Ford F250/F350 Crew Cab





Your Complete Satisfaction is Our Number One Goal at Rolling Big Power - your satisfaction is why we're in business. If for any reason your experience with our product was anything less than amazing, please reach out to us. We'd love to have the opportunity to provide the product experience and service you deserve.

**For Installation Instruction videos visit our YouTube page at:
<https://www.youtube.com/user/rollingbigpowertv>**



STOP. DO NOT RETURN TO THE STORE. WE CAN HELP. QUESTIONS OR PROBLEMS, OUR TEAM OF PROFESSIONALS ARE HERE TO HELP.



CALL TOLL FREE 1-877-519-9090, MON-FRI: 8:00AM - 5:00PM PST

APPLICATIONS:

1999-2016 Ford F250/F350 Double (Extended) Cab

TOOLS REQUIRED

- 5 MM ALLEN WRENCH
- 13 MM SOCKET AND WRENCH
- 10 MM COMBINATION WRENCH
- ELECTRIC DRILL
- 10 MM NUT DRIVER TIP
- RAZOR BLADE
- RTV SILICONE
- 50/50 MIX OF ISOPROPYL ALCOHOL AND WATER
- 1" WIDE MASKING TAPE
- MEASURING TAPE
- TORQUE WRENCH



CONTENTS

ENGLISH

Product Technical Specifications	04
Product Packing List	05
Installation	07
Warranty Information	14

PRODUCT TECHNICAL SPECIFICATIONS

Rated Voltage: 12V

Load Rating: 600 lbs per side

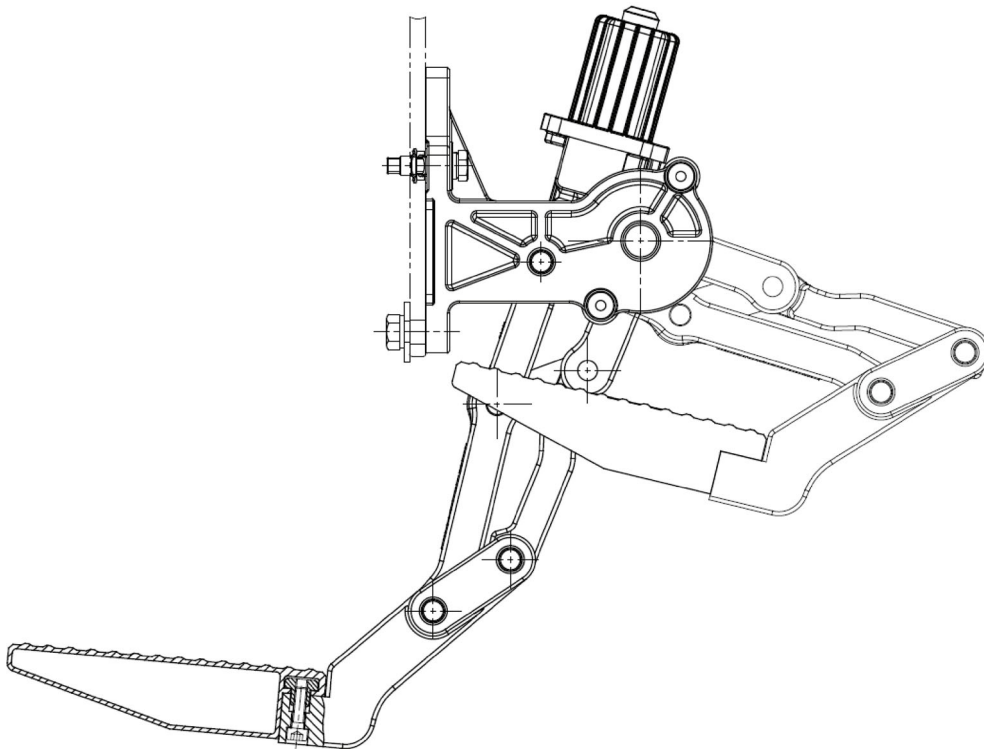
Gross Weight: 55 lbs

Horizontal Extension: 8.5"

(Horizontal distance between the edge of power board and the vehicle door when the board extends)

Step Height: 15.1"

(Vertical height difference between the edge of power board and the vehicle door while board extending.)

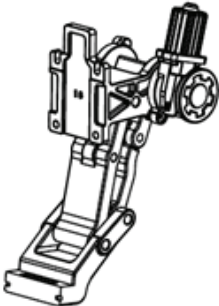
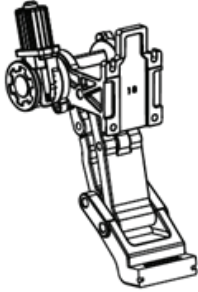
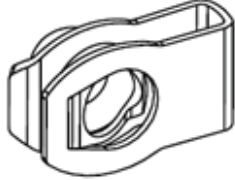
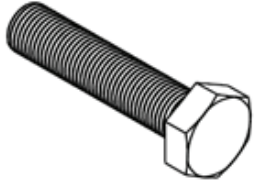


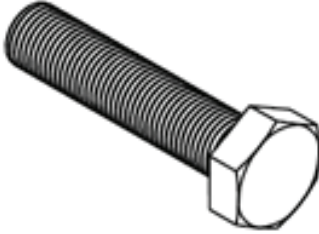



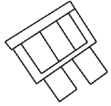
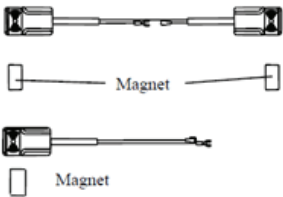
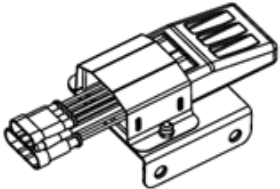
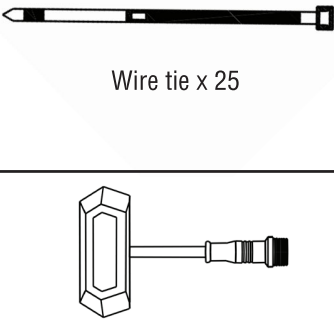



WARNING: Keep a minimum of 10" safe distance while the Stealth Power™ Running Board is operating to avoid any personal injury or damage to the running boards. Stealth Power™ Running Boards are not designed to provide vehicle body protection. Components can be damaged by hard impact or contact with foreign objects.

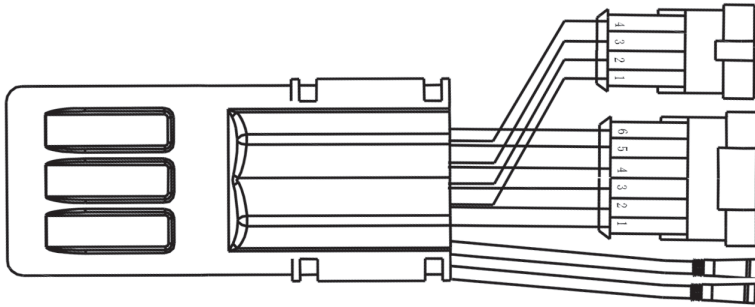


Stealth Power™ Running Board Parts List

Please verify that all listed components were included in your package. If not, please call our team at 877-519-9090 for assistance.

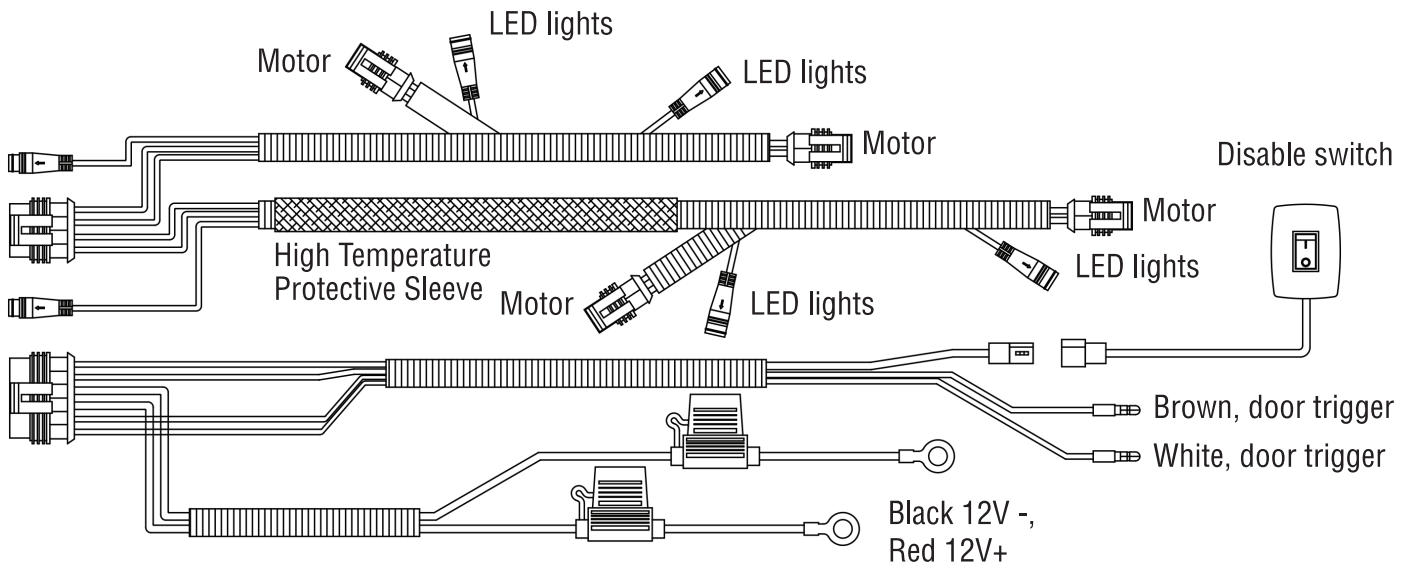
 <p>Left Front Motor Linkage Left Rear Motor Linkage</p>	 <p>Right Front Motor Linkage Right Rear Motor Linkage</p>	 <p>Spring Nut x 8</p>	 <p>Hexagon Head Bolt x 8</p>
 <p>Spring washer x 8</p>	 <p>Spring washer x 10</p>	 <p>Hexagon head bolt x 10</p>	 <p>Socket Cap Screw x 8</p>
 <p>Large Washer Grade A x 8</p>	 <p>Flat Washer x 10</p>	<p>Hexagon head bolt x 10</p>	 <p>20A Fuse x 2</p>
 <p>Wired Magnetic Induction Module x 2 Magnet x 4 (4D x 4) Magnet x 2 (2D x 2)</p>	 <p>Controller Assembly x 1</p>	 <p>Wire tie x 25 LED Lamp Module x 4</p>	 <p>Power Boards Switch x 1</p>

PRODUCT PACKING LIST



Notice: As shown in the picture, there is a four-conductor plug, a six-conductor plug, a black two-conductor plug, and a red two-conductor plug.

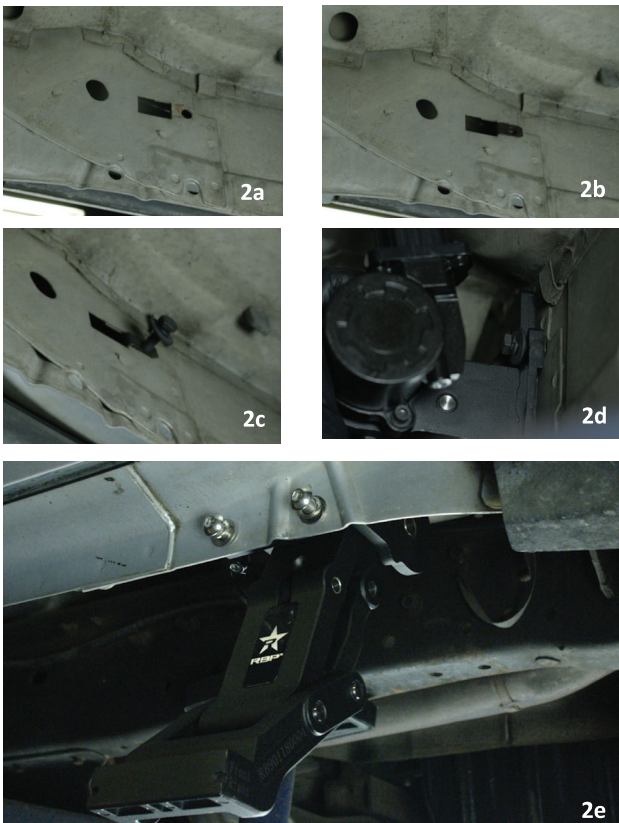
Controller Assembly



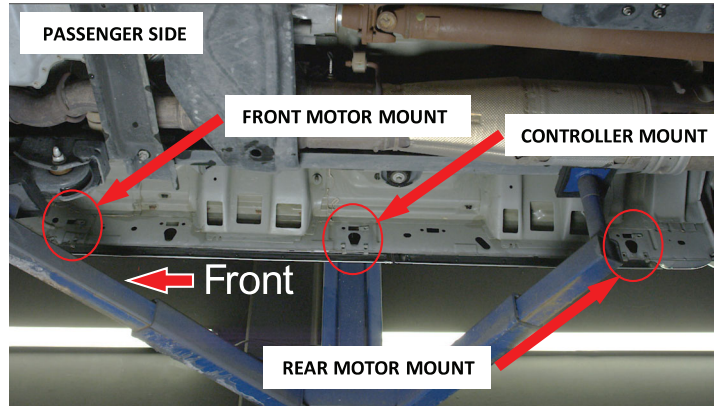
INSTALLATION INSTRUCTIONS

Step 1: Disconnect the battery. Begin with the negative battery terminal, followed by the positive terminal.

Step 2: Install the front Passenger side motor using three hex bolts and one spring nut to fasten the motor to the truck. The hardware should be hand tightened only until snug. This will allow the motor assembly to move and align easier when installing the running board.

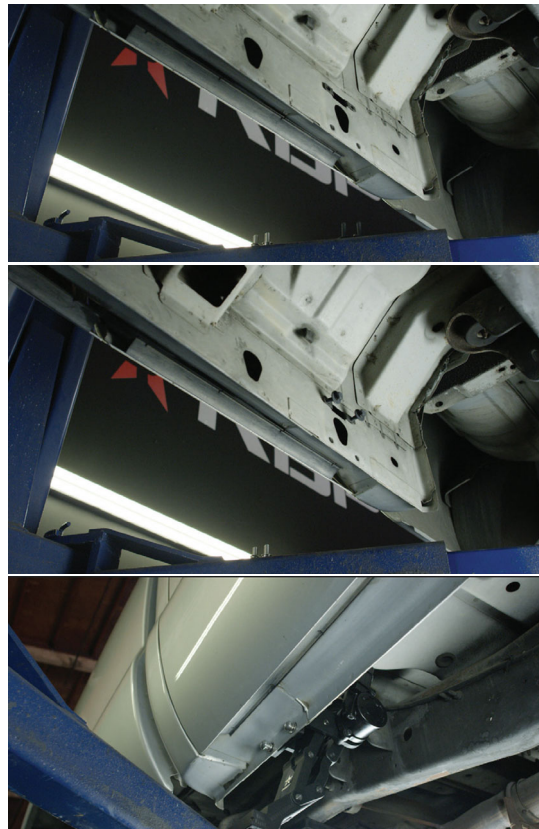


Step 2



Step 1

Step 3: Install the Rear Passenger side motor using four hex bolts and two spring nut to fasten the motor to the truck. The hardware should be hand tightened only until snug. This will allow the motor assembly to move and align easier when installing the running board.



Step 3

INSTALLATION INSTRUCTIONS

Step 4: Install the Driver Side running board.

4a. Begin by propping up the running board on the front and rear motor assembly bases.

4b. Next align the sliding T-Nut blocks on the running board with the slots on the front and rear motor base.

4c. Once the T-Nuts are aligned, rotate the running board so that the T-Nuts drop into the slots on the base of the arms.

4d. Secure the running board to the arms using the M6x25 socket head cap screws. Using a torque wrench, tighten to 9 ft-lbs.



Step 4a



Step 4b

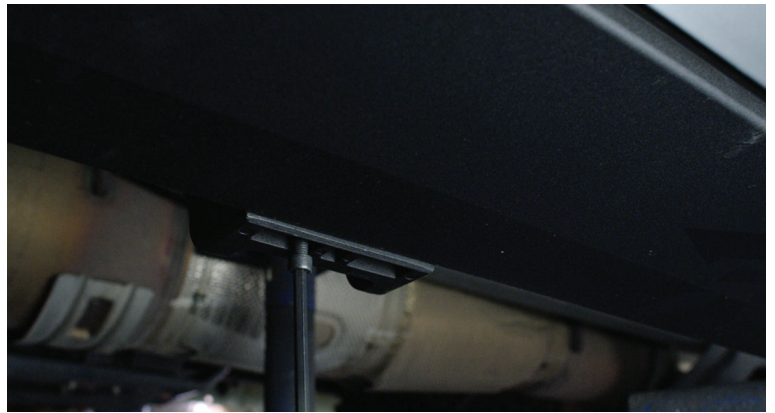


Step 4c

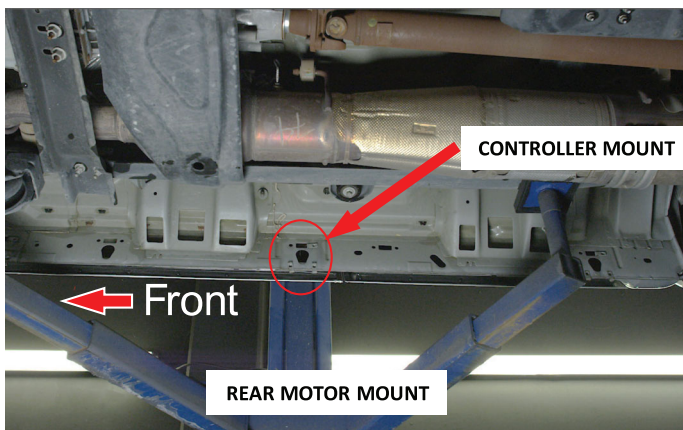
Step 5: Now that the running board is installed, go back and tighten the hardware on the Passenger side front and rear motor assemblies. Using a torque wrench, tighten the mounting hardware to 18 ft-lbs.

Step 6: Repeat Steps 2-5 to install the motor linkage assemblies and running board on the Driver side.

Step 7: Locate the mounting hole cluster near the center of the cab on the Passenger side of the truck. Install the controller bracket using two M8 Hex nuts. Using a torque wrench, tighten to 18 ft-lbs.



Step 4d



Step 7a



Step 7b



Step 7c

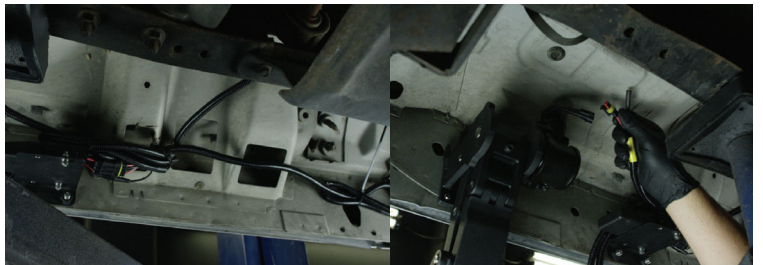
INSTALLATION INSTRUCTIONS

Step 8. Plug the harness into the controller making sure to align the arrows on the small round connectors.



Step 8

Step 9: Route the electrical harness from the controller along the frame rail of the truck. Connect the male connector on the wire harness into the female connector on the motors. The harness is labeled Front right for the front Passenger side motor and Rear right for the rear Passenger side motor.



Step 9

Step 10: Align the arrows on the small round connectors and plug the Passenger side front and rear LED lights. Prepare the surface by cleaning with a 50/50 mix of isopropyl alcohol and water or equivalent. Once the surface is completely dry, peel the backing from the double-sided tape and stick the LEDs to the bottom side of the rocker panel. Stick the LED lights at the center of the front and rear Passenger side doors.



Step 10

Step 11: Route the motor and LED wire harness from the controller to the Driver side frame rail of the vehicle. When routing the harness keep clear from any moving parts and avoid direct contact with the exhaust system.



Step 11a



Step 11b

INSTALLATION INSTRUCTIONS

Step 12: Connect the male plug connector on the wire harness into the female socket on the motors. The harness is labeled Front Left for the front Driver side motor and Rear Left for the rear Driver side motor.

Step 13: Align the arrows on the small round connectors and plug the Driver side front and rear LED lights. Prepare the surface by cleaning with a 50/50 mix of isopropyl alcohol and water or equivalent. Once the surface is completely dry, peel the backing from the double-sided tape and stick the LEDs to the bottom side of the rocker panel. Stick the LED lights at the center of the front and rear Driver side doors.

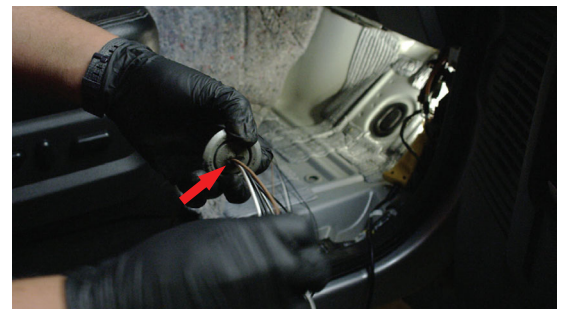
Step 14: The door trigger sensor harness will need a ground connection to the vehicle. A self tapping screw will have to be installed on the driver side b pillar. Use a drill with an M10 nut driver tip to install the self tapping screw on the passenger side b pillar. Locate the screw directly behind the seat belt about 18" from the floor board.

Step 15: Using a utility knife, make an X-cut on the rubber grommet. Feed the door trigger signal wires (white and brown) and the disable switch wires (two black wires) into the cab and through the cut on the rubber grommet. Reinstall the rubber grommet into the floorboard and seal around the wires using RTV silicone adhesive to prevent water intrusion.

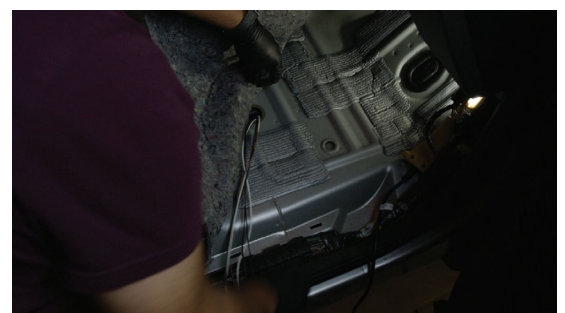
Step 16: Route the Passenger side door trigger wire (brown) towards the Passenger side b-pillar. Route the Driver side door trigger wire (white) under the center console and over to the Driver side b-pillar. Route the black disable switch wires to the center console.



Step 14



Step 15a



Step 15b



Step 16

INSTALLATION INSTRUCTIONS

Step 17: The door trigger sensor harness will need a ground connection to the vehicle. Using a drill, install the self tapping screw below the seat belt mechanism on the passenger side b-pillar as shown. Secure the blade connector on the sensor harness using the self-tapping screw.

Step 18: Connect the snap-in bullet connector on the Passenger side sensor harness to the brown wire.

Step 19: Apply a horizontally oriented strip of masking tape on the front Passenger side door sill using the center of the front door bump stop landing pad as a reference point. Make a mark 3.0" to the right of the reference point on the bump stop pad. Lift the bulb door seal to route the sensor wire underneath it. Prepare the surface by cleaning with a 50/50 mix of isopropyl alcohol and water or equivalent. Once the surface is completely dry, peel the backing from the double-sided tape and stick the sensor on the door sill. Align the sensor with the 3.0" mark on the tape as shown.

Step 20: Apply a horizontally oriented strip of masking tape on the front door using the center of the rubber bump stop as a reference point. Make a mark 3.0" to the left of the reference point on the rubber bump stop. Prepare the surface by cleaning with a 50/50 mix of isopropyl alcohol and water or equivalent. Once the surface is completely dry, peel the backing from the double-sided tape and stick the magnet on the door. Align the magnet with the 3.0" mark on the tape as shown.



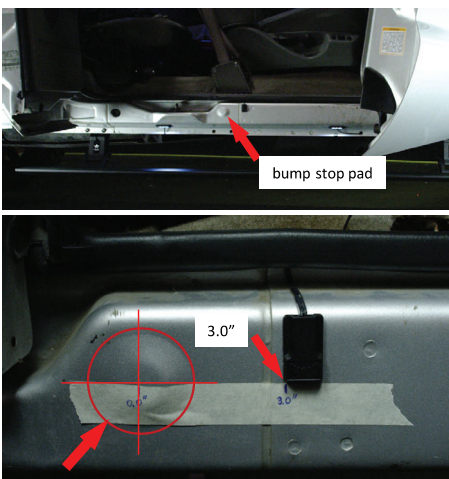
Step 17a



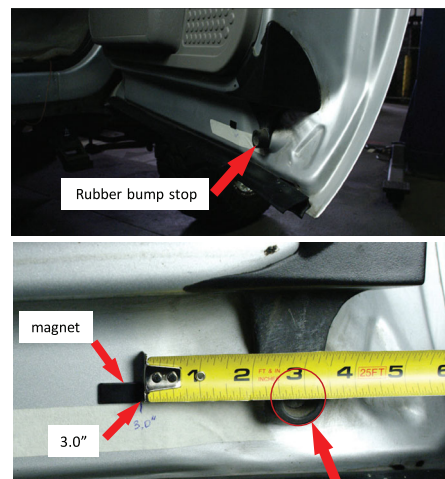
Step 17b



Step 18



Step 19



INSTALLATION INSTRUCTIONS

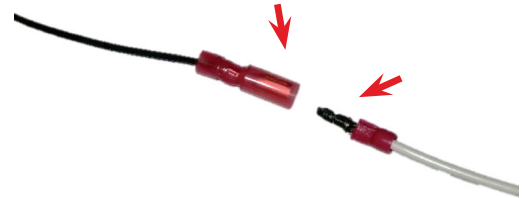
Step 21: Repeat steps 17-20 to install the Driver side door trigger sensor and magnet. The Driver side door trigger harness is connected to the white wire that was routed under the carpet to the Driver side b-pillar in Step 16.

Step 22: Locate the black wires for the disable switch and feed them behind the lower dash pad below the steering column.

Step 23: Feed disable switch harness behind the lower dash panel and plug the connector into the wire harness. Prepare the surface by cleaning with a 50/50 mix of isopropyl alcohol and water or equivalent. Once the surface is completely dry, peel the backing from the double-sided tape and stick the disable switch on the lower dash panel to the left of the steering column. Tuck the extra wire behind the lower dash panel.

Step 24: Remove the 20 Amp fuses from the main positive and negative 12V power leads on the main harness.

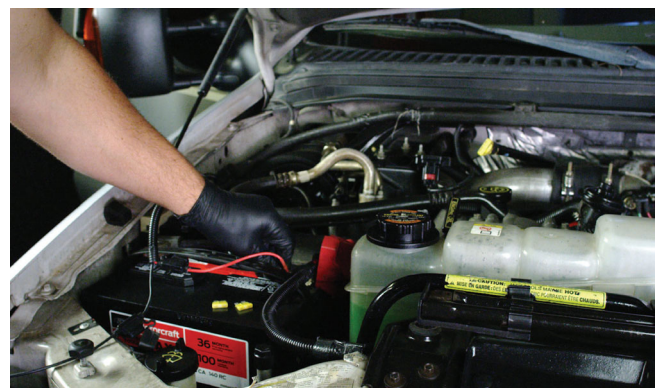
Step 25: Route the power wires over the passenger side wheel well and into the engine compartment. Connect the ring terminals to the battery positive and negative terminals



Step 23



Step 24



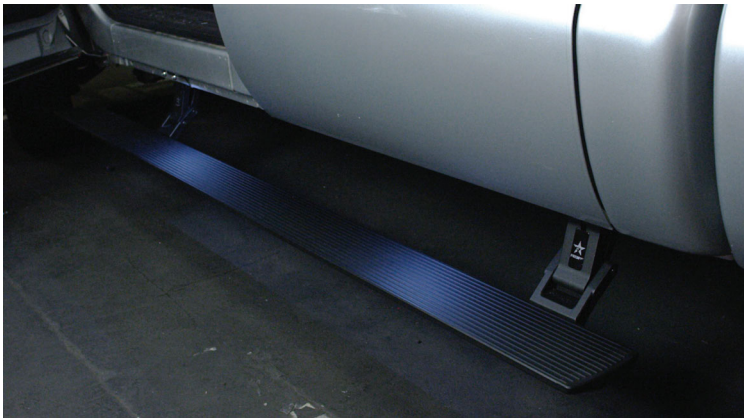
Step 25

INSTALLATION INSTRUCTIONS

Step 26: Install the 20 Amp fuses back into the main negative and positive power lead fuse holders.

Step 27: Open and close the driver and passenger side doors to test the operation of your new Stealth Power Running Boards. Please note that there is a 4 second delay for the running boards to retract after the doors are closed.

Step 28: Open the Driver side door and keep the door open. Flip the disable switch to the “O” or Off position. This will signal the running boards to retract to the stowed position and it will disable any further operation until the switch is flipped to the “I” or On position.



Step 27



Step 28

Thank you for choosing RBP! We hope you enjoy your new Stealth Power Running Boards. We would love to hear about your experience and see your vehicle decked out with our products. To share simply tag us using #Rollingbigpower, #RBP or #RBPStealthPower or DM us on Facebook and Instagram and visit us on YouTube!

FOLLOW US



OfficialRBP



@rollingbigpower



RollingBigPowerTV





RBP STEALTH POWER WARRANTY

Rolling Big Power believes in true customer satisfaction. We strive to provide you, our customer, with a delightful experience with our products. In the event that your experience is not delightful - please contact us and allow one of our professional customer service agents take care of you. Our primary goal is for you to become a customer for life - we're willing to earn it.

Rolling Big Power warrants that any RBP product purchased from an RBP Authorized Resellers will be free from any defects in manufacturing, materials and workmanship for five years from original date of purchase, for the original purchaser for the product installed on the purchaser's original vehicle. Please validate your warranty by REGISTERING YOUR RBP PRODUCT.

NOTE: If you purchased an RBP product from an unauthorized reseller, the unauthorized reseller your warranty may or may not be honored. It is strongly recommended that you purchase RBP products from an RBP Authorized Resellers. To view dealers currently authorized to sell Rolling Big Power products, visit our website to see a complete list.

During the 5-year warranty period, RBP provides free replacement for any manufacturer's defects. RBP reserves the right to replace any individual component of the system, or the entire system at its sole discretion. RBP provides a limited lifetime warranty against rust on the running board assemblies for the original purchaser. Proof of purchase is required when submitting a request for warranty replacement. Within the limit of law, the interpretation of warranty policy solely belongs to RBP.

RBP STEALTH POWER WARRANTY

Exclusions to the RBP Stealth Power Warranty:

- Any product improperly installed, altered, lack of or improper maintenance or improper use of our products.
- No proof of purchase or RBP warranty registration as noted above
- Purchased from an unauthorized reseller
- Failure due to misuse, abuse, neglect or impact/collision
- Any cosmetic scratches or discoloration or any other cosmetic condition that does not affect mechanical operations
- Failure caused by force majeure
- Improper maintenance or care
- Any and all costs of removal, installation, freight, incidental or consequential damages are excluded from this warranty.



FOLLOW US



WWW.ROLLINGBIGPOWER.COM

1-877-519-9090

STRAIGHT DOIN' IT[®]