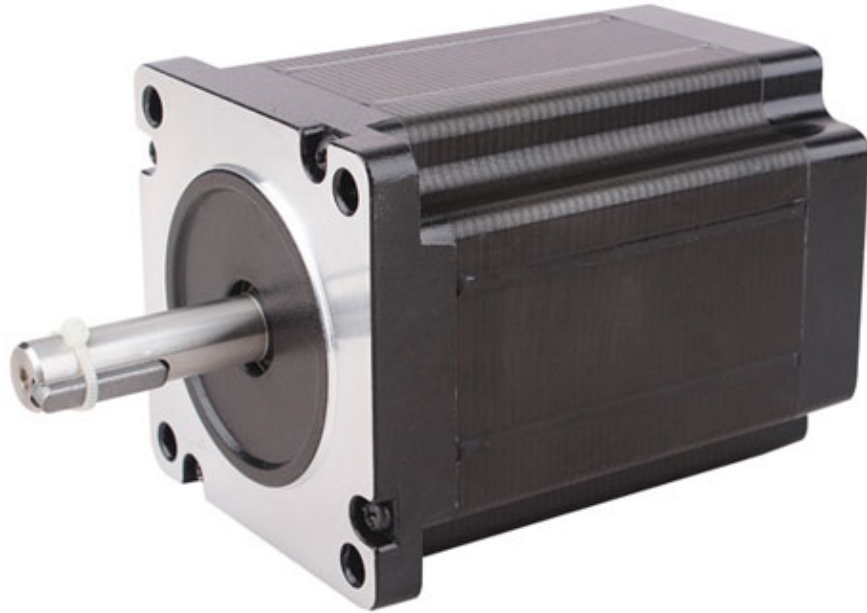


nema34 86HS 2 phase 1.8° hybrid stepper motor



Quick Detail:

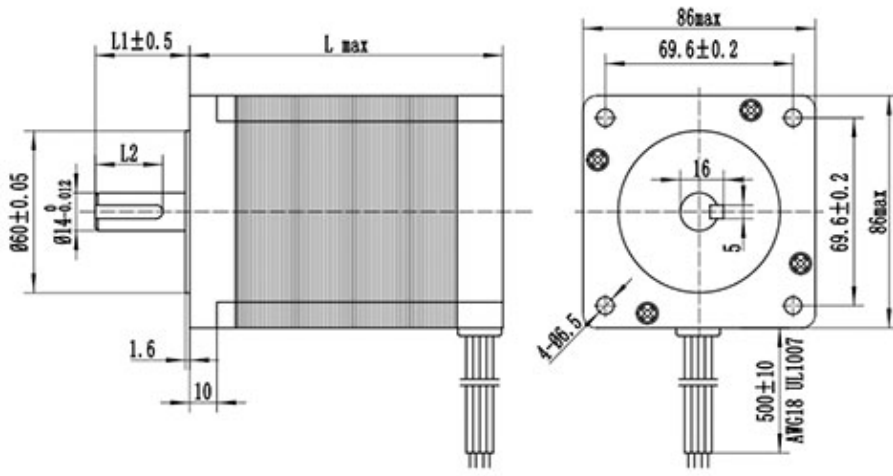
Item	Specifications
Step Angle Accuracy	±5%
Resistance Accuracy	±10%
Inductance Accuracy	±20%
Temperature Rise	80°C Max
Ambient Temperature	-20°C~+50°C
Insulation Resistance	100MΩMin.500VDC
Dielectric Strength	500VAC for one minute
Shaft Radial Play	0.02Max.(450g-load)
Shaft Axial Play	0.08Max.(450g-load)

Model No	Step Angle (°)	Rated Voltage (V)	Rated Current (A)	Phase Resistance (Ω)	Phase Inductance (mH)	Holding Torque (Kg.cm)	Rotor Inertia (g.cm ²)	Motor Length (mm)	Leads No.	Motor Weight (Kg)
86HS65-3004	1.8	3.3	3	1.1	6.5	28	1000	65	4	1.7
86HS68-4004	1.8	1.3	4	0.33	1.6	35	1200	68	4	1.7
86HS78-4004	1.8	1.5	4	0.38	2.5	35	1400	78	4	2.3
87HS78-4204	1.8	1.9	4.2	0.45	4	45	1400	78	4	2.3
87HS78-6008	1.8	3.0	6	0.5	4	45	1400	78	8	2.3
86HS82-4504	1.8	1.4	4.5	0.32	2.8	45	1500	82	4	2.5
86HS82-5608	1.8	2.0	5.6	0.35	3	50	1500	82	8	2.5
86HS100-5004	1.8	2.5	5	0.5	4	68	2100	100	4	3.2
86HS100-5008	1.8	2.5	5	0.5	4	65	2100	100	8	3.2
86HS118-6004	1.8	3.6	6	0.6	6	85	2700	118	4	3.7
86HS118-5608	1.8	3.4	5.6	0.6	6	85	2700	156	8	3.7
86HS156-5504	1.8	3.9	5.5	0.7	9	120	4000	156	4	5.5
86HS156-6204	1.8	3.6	6.2	0.75	9	122	4000	156	8	5.5

Above only for representative products, products of special request can be made according to the customer request.

Dimensions

unit=mm



L1 and L2 can be customized according to customers' requirements.

Wiring Diagram:

