

30AMP MPPT Solar Charge Controller

30A
Rated Charging Current

≥99%
MPPT Efficiency

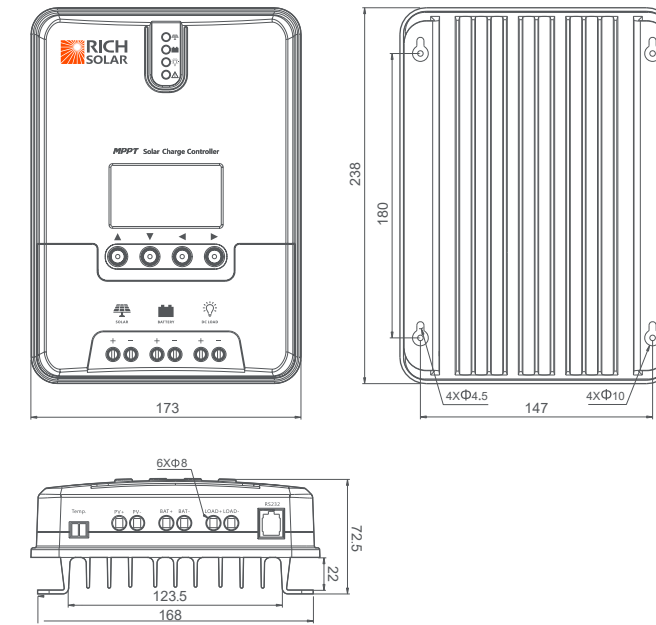
20A
Rated Load Current

100VDC
Max Solar Input Voltage

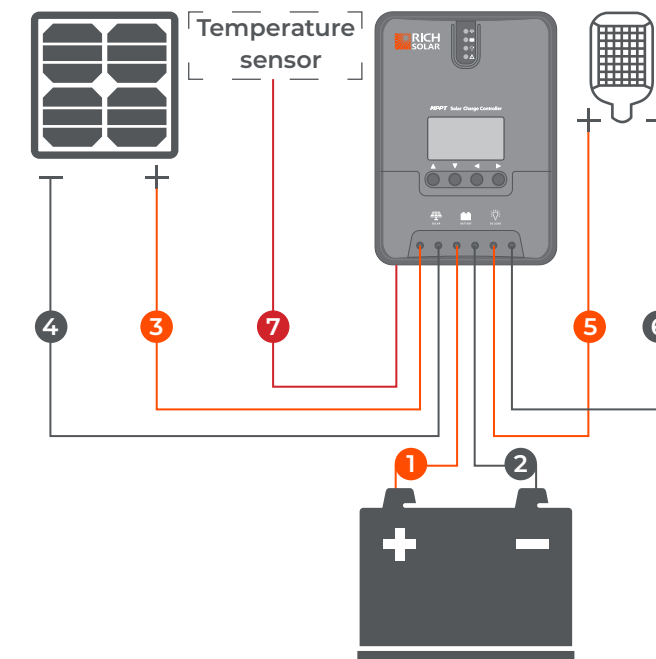


FEATURES

-  Automatically detects 12V or 24V DC system voltages.
-  Compatible with various deep cycle battery options: Sealed, Gel, Flooded, and Lithium.
-  Innovative MPPT technology with high tracking efficiency up to 99% and peak conversion efficiency of 98%.
-  Electronic protection against reverse polarity, over-charging, over-discharging, overload, short-circuiting, and reverse current.
-  LCD screen and multiple LED indicators for displaying system operation information, customizable parameters, and error codes.
-  Features diverse load control, also capable of charging over-discharged lithium batteries.
-  Die-cast aluminum design allows for efficient heat dissipation.
-  RS232 port to communicate with BT-1 Bluetooth module.
-  Advanced maximum power point tracking algorithm can quickly locate the best working point in the I-V curve to significantly improve the system's energy efficiency.



PRODUCT DIMENSIONS (MM)



PRODUCT CONNECTION DIAGRAM

SPECIFICATIONS

Nominal System Voltage	12V/24V Auto
Rated Charging Current	30A
Rated Load Current	20A
Max Solar Input Voltage	100V(25°C), 90V(-25°C)
Discharge Circuit Voltage Drop	≤0.15V
Net Weight	4.41lbs
Overall Dimension	9.37 x 6.81 x 2.85in
Battery Wire Diameter	6mm ²
Load Wire Diameter	5mm ²
No-load Loss	0.7W to 1.2W
Battery Voltage	9V to 35V
Max. Power Point Voltage Range	Battery Voltage +2V to 75V
Max. Capacitive Load Capacity	1000uF
Max. Photovoltaic System Input Power	400W/12V, 800W/24V
Conversion Efficiency	≤98%
MPPT Tracking Efficiency	>99%
Temperature Compensation Factor	-3mV//2V Default
Operating Temperature	-35°C to +45°C
Protection Degree	IP32
Communication Method	RS232
Altitude	≤3000m

OUTPUT CHARACTERISTIC CURVE

