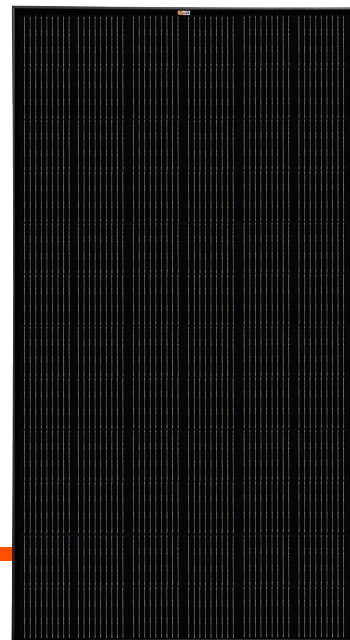




MEGA 400

400 WATT SOLAR PANEL



400 WATT

MAXIMUM POWER OUTPUT

72 CELL

MONOCRYSTALLINE MODULE

0~+5W

POSITIVE POWER TOLERANCE

20.3%

MAXIMUM EFFICIENCY

RICH SOLAR is the leading supplier of off-grid solar equipment for RV, agriculture, off-grid housing, marine, light industrial and heavy equipment, provides solar panels and other equipment, including solar charge controllers, inverters, batteries and complete do-it-yourself solar kits.

We'd love to work with you to create the perfect solar solution for your product or industry. Lead your industry and increase product value by adding solar or making it solar-ready.

☎ 1-800-831-9889
✉ sales@richsolar.com
🌐 www.richsolar.com
📍 5550 Jurupa St
Ontario, CA 91761

FEATURES

- 9 buss bar solar cell configuration
- Lightweight anodized aluminum frame
- High transmission, AR (anti-reflective) coated tempered glass
- Plug and play junction box
- Industry standard quick connect cables (MC4) work in series or in parallel
- Highly reliable due to stringent quality control (Over 30 in-house tests (UV, TC, HF, and many more), PID resistant, 100% EL double inspection)
- Certified to withstand challenging environmental conditions (2400 Pa wind load, 5400 Pa snow load, 35 mm hail stones at 97 km/h)
- Excellent low light performance on cloudy days, mornings and evenings

INSTALLATION

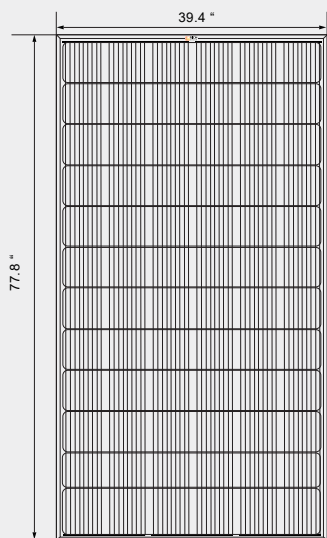
- Easy installation and handling for various applications (high-end off-grid and mobile applications)
- Pre-drilled holes compatible with ground mounts, Z brackets, pole mounts and tilt mounts
- Compatible with on-grid and off-grid inverters

WARRANTY

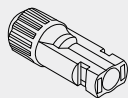
- 25 year limited power output

MEGA 400

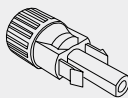
400 WATT SOLAR PANEL



Front Profile (unit: inch)

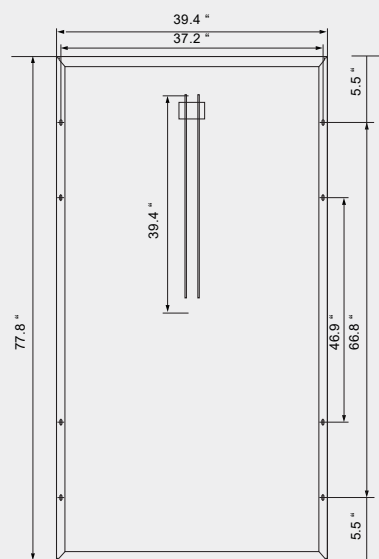


MC4 Negative

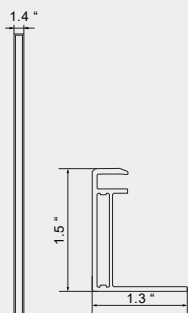


MC4 Positive

MC4 Connectors



Back Profile (unit: inch)



Side Profile

ELECTRICAL DATA (STC)

Peak Power Watts- P_{MAX} (Wp)	400 W
Power Output Tolerance- P_{MAX} (W)	0~+5 W
Maximum Power Voltage- V_{MPP} (V)	41.2 V
Maximum Power Current- I_{MPP} (A)	9.71 A
Open Circuit Voltage- V_{oc} (V)	49.6 V
Short Circuit Current- I_{sc} (A)	10.3 A
Module Efficiency η_m (%)	20.3%
STC: Irradiance 1000W/m ² , Cell Temperature 77°F, Air Mass AM1.5	

MECHANICAL DATA

Solar Cells	Monocrystalline 155.57 × 155.57 mm (6.125 inches)
Cell Orientation	72 cells (6 × 12)
Module Dimensions	77.8 × 39.4 × 1.4 in
Weight	49.4 lb
Glass	3.2 mm (0.13 inches), High Transmission, AR Coated Tempered Glass
Backsheet	Black
Frame	Anodized Aluminium Alloy Black
Junction Box	IP 65 or IP 67 rated
Cables	Photovoltaic Technology Cable 4.0mm ² (#12 gauge), 35 inches (900 mm) Length
Connector	MC4

TEMPERATURE RATINGS

NOCT (Nominal Operating Cell Temperature)	113 ± 35°F
Temperature Coefficient of P_{MAX}	-0.39%/°F
Temperature Coefficient of V_{oc}	-0.29%/°F
Temperature Coefficient of I_{sc}	0.05%/°F

MAXIMUM RATINGS

Operational Temperature	-40 ~ +185°F
Maximum System Voltage	1000VDC
Maximum Series Fuse Rating	20A

WARRANTY

25 year Limited Output Power Warranty

(Please refer to product warranty for details)

CURVE CHARACTERISTICS

