

SPECIFICATIONS

FEATURES:

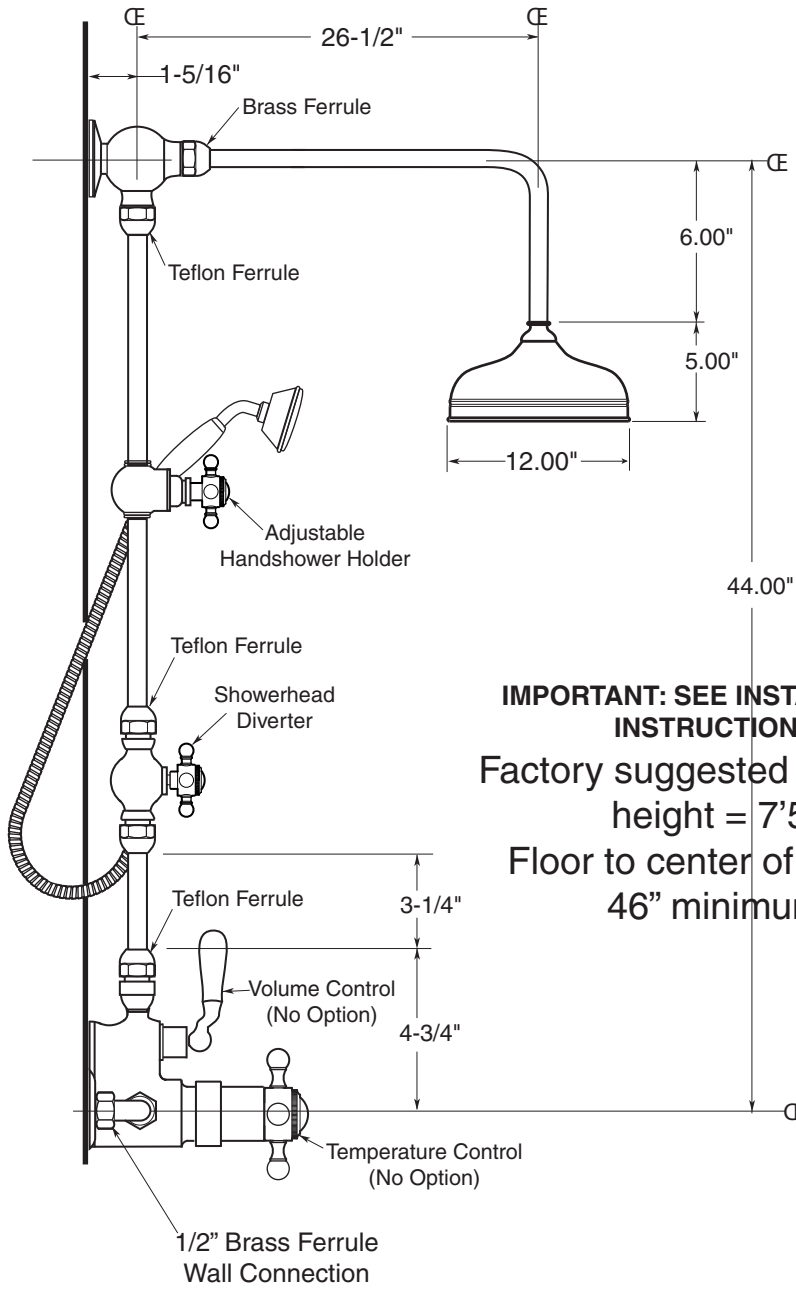
- All brass construction.
- Available in all finishes. Warranty varies according to finish selection.
- Thermostatic valve cartridge P/N: 18.30.301
- Volume control cartridge P/N: 18.30.011
- Certified to meet or exceed the following codes and standards:
ASME A112.18.1/CSAB 125.1-2011

- *****
- Installation height from floor to center of valve to be determined by homeowner or installer.
 - Do not rough-out without copper rough-in template.
Guide will be sent ahead upon request.



BRASSWORKS LIMITED

3/4" Exposed Thermostatic Shower Set with Diverter & Handshower Cross Handle



IMPORTANT: SEE INSTALLATION INSTRUCTIONS
 Factory suggested minimum height = 7'5"
 Floor to center of valve = 46" minimum

