

COVENTRY

BRASS WORKS LIMITED

Single Hole Lavatory Set Installation Instructions



LEAVE FOR HOME OWNER

All Coventry Brasswork products satisfy all ANSI/ASME test requirements for USA.

TESTED TO ASME
A112.18.1M/ASSE 1016

FLOW RATES:
SHOWER HEADS 2.5 GPM/9.5 LPM,
AERATORS 2.2GPM/8.3 LPM

Coventry Brassworks products comply with Section 9 of NSF 61 criteria concerning lead content.

Care Instructions:

The Coventry Brassworks Product you have just purchased is designed to provide you with long lasting beauty and dependability. To ensure your product's longevity, please follow the following care instructions.

When installing, we recommend you lay all parts on a soft cloth or towel to avoid scratching or damaging the product. Never use abrasive cleansers, sponges, or acidic cleaning products as these may damage the finish and VOID THE WARRANTY.

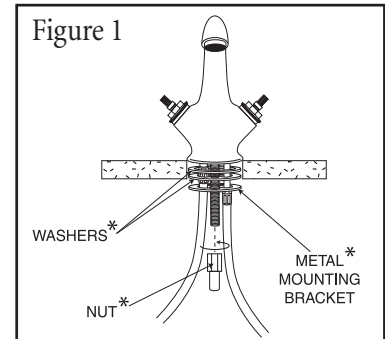
Note: This fitting has been factory assembled, tested and is ready for installation.

Recommended Installation Instructions:

Read all instructions completely before proceeding!

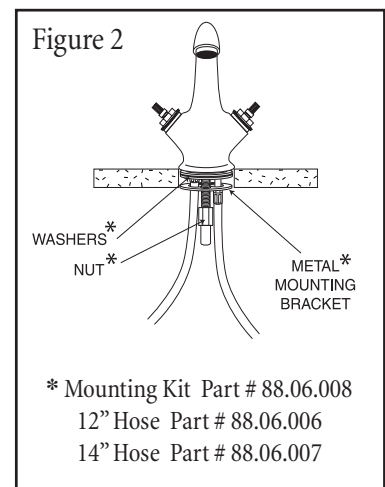
Step 1:

Unscrew the nut from the bottom of the faucet, then remove the metal mounting bracket and the two rubber washers as shown in Figure 1.



Step 2:

Place the spout shank with attached stainless hoses through the top hole in the deck or plumbing fixture. Making sure ALL washers are in place as shown, secure the fitting to the fixture by reapplying the nut and tightening it.

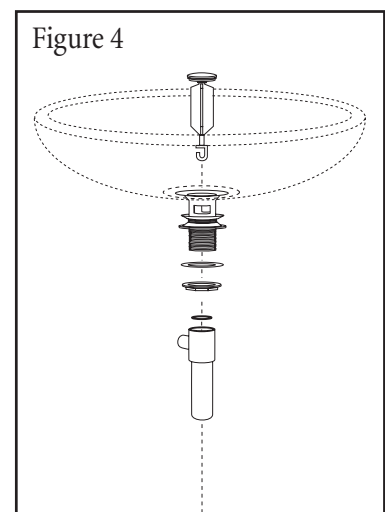


Step 3:

Connect the flexible stainless hoses to the HOT and COLD water supplies. Hand tighten only, do NOT use a wrench. These hoses are self sealing and over tightening is not required.

Step 4:

Disassemble the standard drain parts as shown in Figure 4. Remove all washers and nuts. Place the upper portion of the main drain body through the drain hole, then secure using nuts and washers.

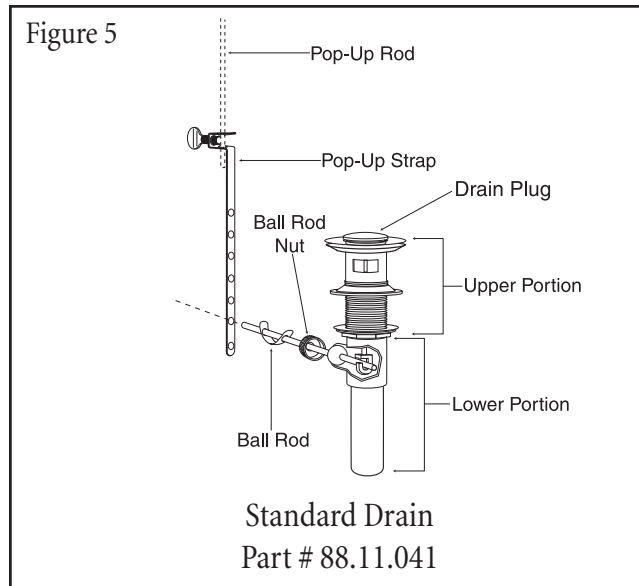


Step 5:

Attach the lower portion of the drain body to the upper portion, making sure the ball rod opening faces the rear of the sink. Carefully insert the ball rod so that it goes through the hook in the plunger. Hand tighten the ball rod nut. Insert the other end of the ball rod through the bottom of the pop-up strap as shown in Figure 5.

Step 6:

After placing pop-up rod through the top of the spout, insert the end into the pop-up strap. Adjust rise and seal of the drain plug before tightening the screw on the strap. When installation is complete, check the system for any leaks.



⚠ CAUTIONS ⚠

- *Take special care to protect all components during the construction and installation.*
- *Before removal of old faucet, always turn off water.*
- *Open the faucets to reduce water pressure and to insure that complete water shut off has been accomplished.*
- *Before faucet installation, carefully flush all water lines.*
- *After faucet installation, remove aerator and flush all water lines again. FAILURE TO DO SO MAY DAMAGE INTERNAL PARTS!*
- *Plumber's putty is not recommended. Use of caustic substances may harm the finish or cause the product to not function properly.*