

FEATURES:

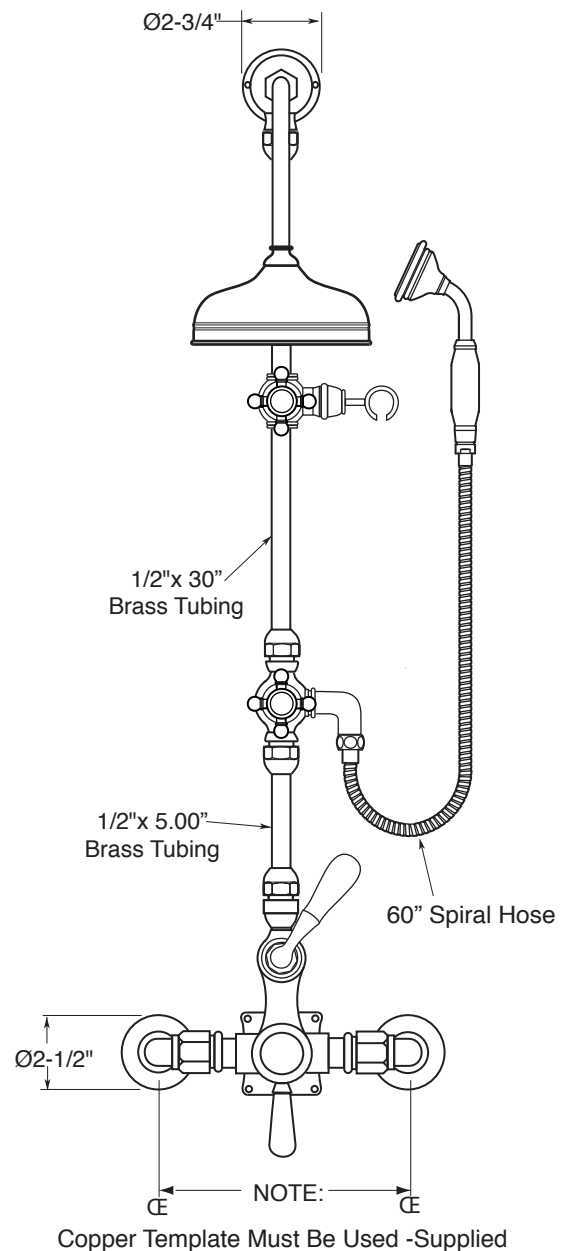
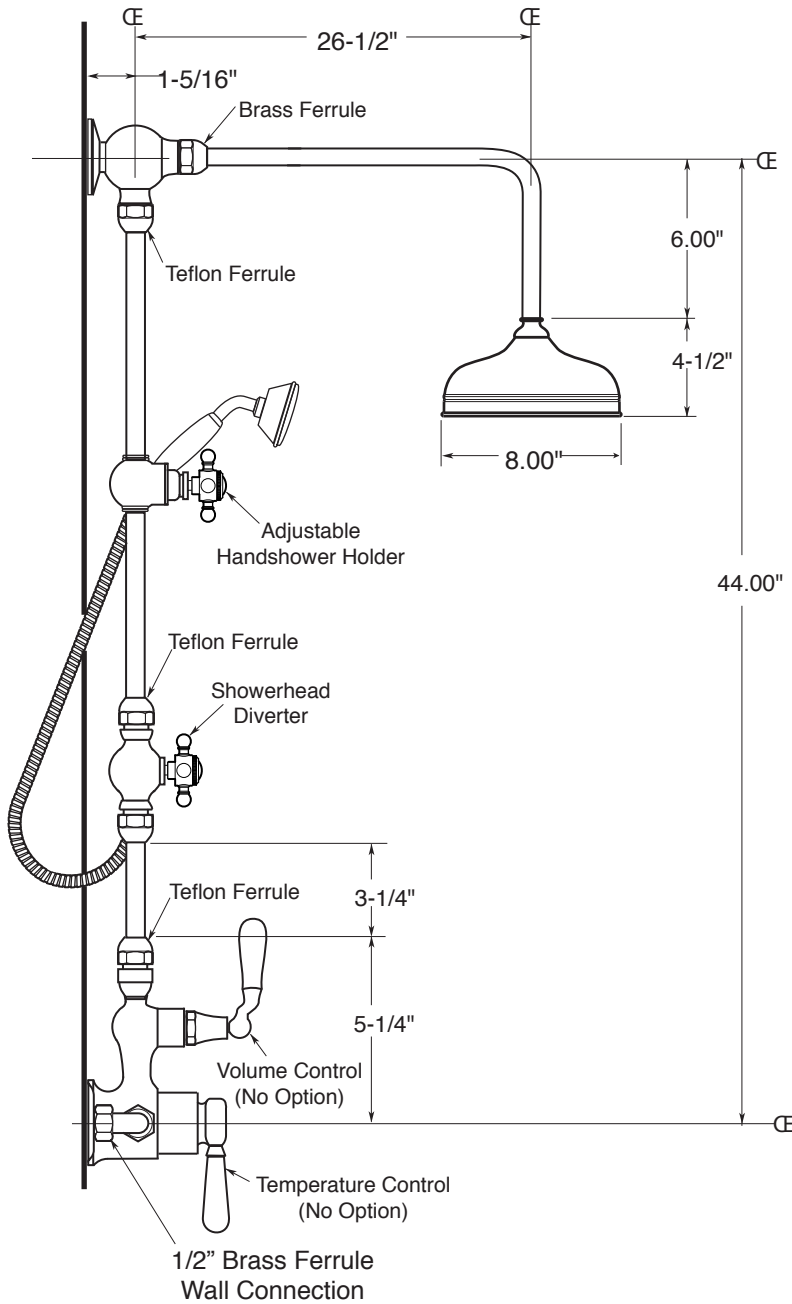
- All brass construction.
- Available in all finishes. Warranty varies according to finish selection.
- Thermostatic valve cartridge P/N: 18.30.300
- Volume control cartridge P/N: 18.30.195
- Certified to meet or exceed the following codes and standards:
ASME A112.18.1/CSAB 125.1-2011

- Installation height from floor to center of valve to be determined by homeowner or installer.
- Do not rough-out without copper rough-in template.
Guide will be sent ahead upon request.

Butler Mill

1/2" Exposed Thermostatic Shower Set with Diverter & Handshower Cross Handle

1.0098910



Note: Measurements are subject to change or cancellation. No responsibility is assumed for use of superseded or voided pages.