

The Adams Rite 940 Series Mortice Exit device is a life safety device designed to fit into commercial aluminium door applications.



CE

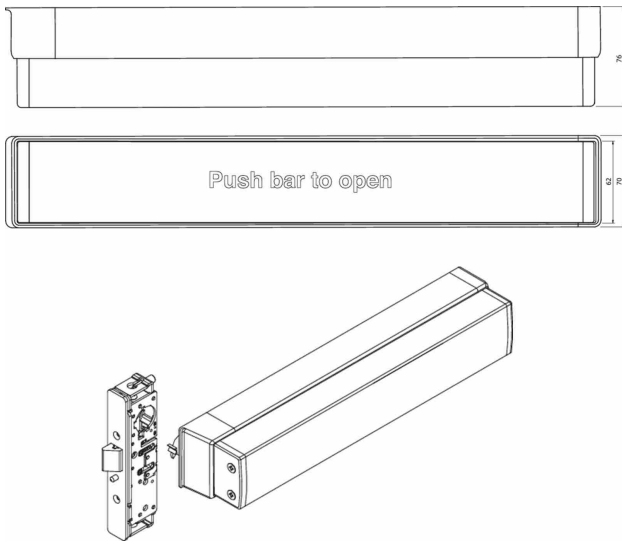
Key Benefits

- Suitable for use on aluminium doors
- The device has an all steel latch case with an oil impregnated solid brass bolt and deadlatching mechanism
- Available in backset of 24.6mm, 28.6mm and 38.1mm and requires a minimum door stile depth of 16.3mm greater than the backset
- Special versions available for doors thicker than 44.45mm and where longer strike lips are required for centre-hung doors
- Flat, bevelled, radius or radius with weatherstrip faceplates are available
- Unique tab system allows the flat faceplate to be used to suit bevelled sections on the 28.6mm and 38.1mm backset sizes
- Options include: Monitoring and Cylinder dogging
- Dogging as standard on all versions except 600mm
- Accepts only standard mortice cylinder (with MS® cam) allowing external key access

Related Hardware

4056 Round Cylinder ~ MS® 4043 Cylinder Guard ~ 3080 and 3080E Series
 Entry Trims ~ 7108 Electric Strike ~ 7128 Electric Strike

Specification



Projection:	76.5mm from face of door.
Push Bar Face Width:	62mm
Back Bar Width:	70mm.
Door Opening Widths:	Five standard sizes - 600mm, 750mm, 900mm, 1050mm, 1200mm.
Width Variations:	See dimensional limitations
Push Bar:	Extruded Aluminium Alloy. Removable for Polyester Powder Coating if required.
Dogging Facility:	Built-in. Operated by dogging key (two supplied). NOTE: Not available on 600mm door opening width bar.
Case:	Steel with corrosion-resistant plating.
Latch Backsets:	24.6mm*, 28.6mm, 38.1mm.
Latch Bolt:	25.4mm x 16mm. Oil impregnated solid brass. Hardened steel internal pins, plus anti-pick baffle.
Bolt Throw:	15.3mm.
Auxiliary Bolt:	Stainless Steel Pin.
Door Gap:	Maximum 5mm.
Forend:	Steel, with aluminium faceplate.
Standards:	Independently tested to the requirements of BS EN 1125:2008..
Handing:	Field adjustable.
Other Width	'Push bar to open' sticker included.

Series	Type	Bar Height (MM)	Minimum Door Height (MM)	Maximum Door Height (MM)	Maximum Door Opening Width (MM)	Minimum Door Opening Width (MM)
940 24.6mm 28.6mm Backset	Latch	900 1100	n/a	2500	1200 1050 900 750 600	905 705 705 662 435
940 38.1mm Backset	Latch	900 1100	n/a	2500	1200 1050 900 750 600	945 745 745 705 475

Standards

Independently tested to BS EN1125:2008
 Classification Code: 37601322BA
 Declaration of Performance No: 0002PEDD

Ordering Information

940-00-1-702-628	940 MORTICE EXIT DEVICE 600MM RHR 24.6MM BACKSET SAA
940-00-1-7U2-628	940 UNIVERSAL MORTICE EXIT DEVICE 600MM RHR 24.6MM BSET SAA
940-00-1-7U3-628	940 UNIVERSAL MORTICE EXIT DEVICE RHR 28.6MMBACKSET SAA
940-00-1-7U4-628	940 UNIVERSAL MORTICE EXIT DEVICE RHR 38.1MM BACKSET SAA
940-00-1-7U4-628-952	940 UNIVERSAL MORTICE EXIT DEVICE 600MM RHR 38.1MM BACKSET 52MM DOOR
940-00-1-8U2-628	940 UNIVERSAL MORTICE EXIT DEVICE 600MM LHR 24.6MM BSET SAA
940-00-1-8U3-628	940 UNIVERSAL MORTICE EXIT DEVICE 600MM RHR 28.6MM BACKSET SAA
940-00-1-8U4-628	940 UNIVERSAL MORTICE EXIT DEVICE 600MM RHR 38.1MM BACKSET SAA
940-00-2-7U2-628	940 UNIVERSAL MORTICE EXIT DEVICE 750MM RHR 24.6MM BSET SAA
940-00-2-7U3-628	940 UNIVERSAL MORTICE EXIT DEVICE 750MM RHR 28.6MM BACKSET SAA
940-00-2-7U4-628	940 UNIVERSAL MORTICE EXIT DEVICE 750MM RHR 38.1MM BACKSET SAA
940-00-2-7U4-628-952	940 UNIVERSAL MORTICE EXIT DEVICE 750MM RHR 38.1MM BACKSET S
940-00-2-7U4-628-967	940 UNIVERSAL MORTICE EXIT DEVICE 750MM RHR 38.1MM BACKSET S
940-00-2-8U2-628	940 UNIVERSAL MORTICE EXIT DEVICE 750MM LHR 24.6MM BSET SAA
940-00-2-8U3-628	940 UNIVERSAL MORTICE EXIT DEVICE LHR 28.6MM BACKSET SAA
940-00-2-8U3-628-952	940 UNIVERSAL MORTICE EXIT DEVICE LHR 28.6MM BACKSET SAA 52MM DOOR
940-00-2-8U4-628	940 UNIVERSAL MORTICE EXIT DEVICE LHR 38.1MM BACKSET SAA
940-00-2-8U4-628-967	940 MORTICE EXIT DEVICE 750MM LHR 24.6MM BACKSET SAA 67MM DO
940-00-3-7U2-628	940 UNIVERSAL MORTICE EXIT DEVICE 900MM RHR 28.6MM BSET SAA
940-00-3-7U3-628	940 UNIVERSAL MORTICE EXIT DEVICE 900MM RHR 28.6MM BACKSET SAA
940-00-3-7U3-628-974	940 MORTICE EXIT DEVICE 900MM RHR 28.6MM BSET SUIT 67MM DR
940-00-3-7U4-628	940 UNIVERSAL MORTICE EXIT DEVICE 900MM RHR 38.1MM BACKSET SAA
940-00-3-8U2-628	940 UNIVERSAL MORTICE EXIT DEVICE 900MM LHR 28.6MM BSET SAA
940-00-3-7U4-628-967	940 UNIVERSAL MORTICE EXIT DEVICE 900MM RHR 38.1MM BACKSET S
940-00-3-8U3-628	940 UNIVERSAL MORTICE EXIT DEVICE 900MM LHR 28.6MM BACKSET SAA
940-00-3-8U3-628-952	940 UNIVERSAL MORTICE EXIT DEVICE 900MM LHR 28.6MM BACKSET SAA 52MM DOOR
940-00-3-8U3-628-967	940 MORTICE EXIT DEVICE 900MM LHR 28.6MM BSET SUIT 67MM DR
940-00-3-8U4-628	940 UNIVERSAL MORTICE EXIT DEVICE 900MM LHR 38.1MM BACKSET SAA
940-00-3-8U4-628-952	940 UNIVERSAL MORTICE EXIT DEVICE 900MM LHR 38.1MM BACKSET SAA 52MM DOOR
940-00-3-8U4-628-967	940 UNIVERSAL MORTICE EXIT DEVICE 900MM LHR 38.1MM BACKSET S
940-00-4-702-628	940 MORTICE EXIT DEVICE 1050MM RHR 24.6MM BACKSET SAA
940-00-4-7U2-628	940 UNIVERSAL MORTICE EXIT DEVICE 1050MM RHR 24.6MM BSET SAA
940-00-4-7U2-628-967	940 UNI MORTICE EXIT DEVICE 900MM RHR 24.6MM BSET SAA 67MM
940-00-4-722-628	940 MORTICE EXIT DEVICE 1050MM RHR 24.6MM BACKSET SAA
940-00-4-7U3-628	940 UNIVERSAL MORTICE EXIT DEVICE 1050MM RHR 28.6MM BACKSET SAA
940-00-4-7U4-628	940 UNIVERSAL MORTICE EXIT DEVICE 1050MM RHR 38.1MM BACKSET SAA
940-00-4-7U4-628-952	940 UNIVERSAL MORTICE EXIT DEVICE 1050MM RHR 38.1MM BACKSET
940-00-4-8U2-628	940 UNIVERSAL MORTICE EXIT DEVICE 1050MM LHR 24.6MM BSET SAA
940-00-4-822-628	940 MORTICE EXIT DEVICE 1050MM LHR 24.6MM BACKSET SAA
940-00-4-8U3-628	940 UNIVERSAL MORTICE EXIT DEVICE 1050MM LHR 28.6MM BACKSET SAA
940-00-4-8U3-628-952	940 UNIVERSAL MORTICE EXIT DEVICE 1050MM LHR 28.6MM SAA 52MM DOOR

940-00-4-8U3-628-967	940 UNIVERSAL MORTICE EXIT DEVICE 1050MM LHR 28.6MM BACKSET
940-00-4-8U4-628	940 UNIVERSAL MORTICE EXIT DEVICE 1050MM LHR 38.1MM BACKSET SAA
940-00-4-8U4-628-952	940 UNIVERSAL MORTISE EXIT DEVICE 1050MM LHR 38.1MM BACKSET SAA 52MM DOOR
940-00-4-8U4-628-967	940 UNIVERSAL MORTISE EXIT DEVICE 1050MM LHR 38.1MM BACKSET
940-00-5-7U2-628	940 UNIVERSAL MORTICE EXIT DEVICE 1200MM RHR 24.6MM BSET SAA
940-00-5-7U2-628-967	UNIVERSAL MORTICE EXIT DEVICE 1200MM RHR 24.6MM BS SAA 67MM
940-00-5-7U3-628	940 UNIVERSAL MORTICE EXIT DEVICE 1200MM RHR 28.6MM BACKSET SAA
940-00-5-7U4-628	940 UNIVERSAL MORTICE EXIT DEVICE 1200MM RHR 38.1MM BACKSET SAA
940-00-5-7U4-628-952	UNIVESAL MORTICE EXIT DEVICE 1200MM RHR 38.1MM BS SAA 52MM D
940-00-5-8U2-628	940 UNIVERSAL MORTICE EXIT DEVICE 1200MM LHR 24.6MM BSET SAA
940-00-5-8U3-628	940 UNIVERSAL MORTICE EXIT DEVICE 1200MM LHR 28.6MM BACKSET SAA
940-00-5-8U3-628-952	940 UNIVERSAL MORTICE EXIT DEVICE 1200MM LHR 28.6MM BACKSET SAA 52MM DOOR
940-00-5-8U3-628-967	940 UNIVERSAL MORTICE EXIT DEVICE 1200MM LHR 28.6MM BS 67MM
940-00-5-8U4-628	940 UNIVERSAL MORTICE EXIT DEVICE 1200MM LHR 38.1MM BACKSET SAA
940-01-1-702-628	MORTICE EXIT DEVICE C/W CYL DOGGING
940-01-2-802-628	MORTICE EXIT DEVICE C/W CYL DOGGING
940-01-2-8U3-628	MORTICE EXIT DEVICE C/W CYL DOGGING
940-01-3-702-628	MORTICE EXIT DEVICE C/W CYL DOGGING
940-01-3-703-628	MORTICE EXIT DEVICE C/W CYL DOGGING
940-01-3-704-628	MORTICE EXIT DEVICE C/W CYL DOGGING
940-01-3-714-628	MORTICE EXIT DEVICE C/W CYL DOGGING
940-01-3-722-628	MORTICE EXIT DEVICE C/W CYL DOGGING
940-01-3-743-628	MORTICE EXIT DEVICE C/W CYL DOGGING
940-01-3-7U3-628	MORTICE EXIT DEVICE C/W CYL DOGGING
940-01-3-802-628	MORTICE EXIT DEVICE C/W CYL DOGGING
940-01-3-813-628	MORTICE EXIT DEVICE C/W CYL DOGGING
940-01-3-814-628	MORTICE EXIT DEVICE C/W CYL DOGGING
940-01-4-702-628	MORTICE EXIT DEVICE C/W CYL DOGGING
940-01-4-722-628	MORTICE EXIT DEVICE C/W CYL DOGGING
940-01-4-723-628	MORTICE EXIT DEVICE C/W CYL DOGGING
940-01-4-743-628	MORTICE EXIT DEVICE C/W CYL DOGGING
940-01-4-803-628	MORTICE EXIT DEVICE C/W CYL DOGGING
940-01-4-804-628	MORTICE EXIT DEVICE C/W CYL DOGGING
940-01-4-8U3-628	MORTICE EXIT DEVICE C/W CYL DOGGING
940-01-5-7U2-628	MORTICE EXIT DEVICE C/W CYL DOGGING
940-01-5-8U2-628	MORTICE EXIT DEVICE C/W CYL DOGGING
940-02-2-802-628	940 EXIT DEVICE SGL MONITORED LHR FLAT F/PLATE 24.6MM SAA
940-03-1-803-628	MORTICE EXIT DEVICE DBLE MONITORED
940-03-2-803-628	MORTICE EXIT DEVICE DBLE MONITORED
940-03-3-714-628	MORTICE EXIT DEVICE DBLE MONITORED
940-03-4-704-628	MOTICE EXIT DEVICE DOUBLE MONITORED