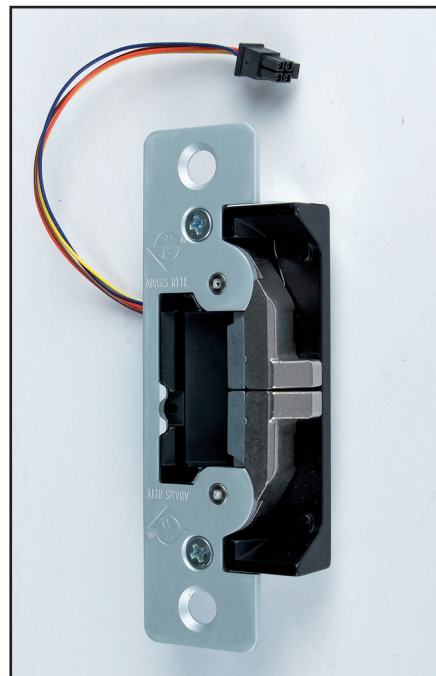


7400 - 7401 ULTRALINE

Premium Electric Strike

The ULTRALINE premium electric strike range has features that are unmatched in the industry. The innovative and compact robust stainless steel split-jaw design maintains the high level of security expected from Adams Rite while enabling release electrically with over 13kg of sideload pressure.



Key Benefits

- Opens electrically with over 13kg of sideload pressure
- Compact depth – 27mm overall
- 907kg holding force
- Single solenoid operates at 12/24V AC/DC
- Field selectable fail safe or fail secure on strike body
- Adjustable jaw
- Low current draw
- Retrofits all previous Adams Rite strikes
- Tested to 500,000 cycles
- 3 years warranty
- Requires the force to open compared with 7100, aiding compliance with Doc M requirements

Related Hardware

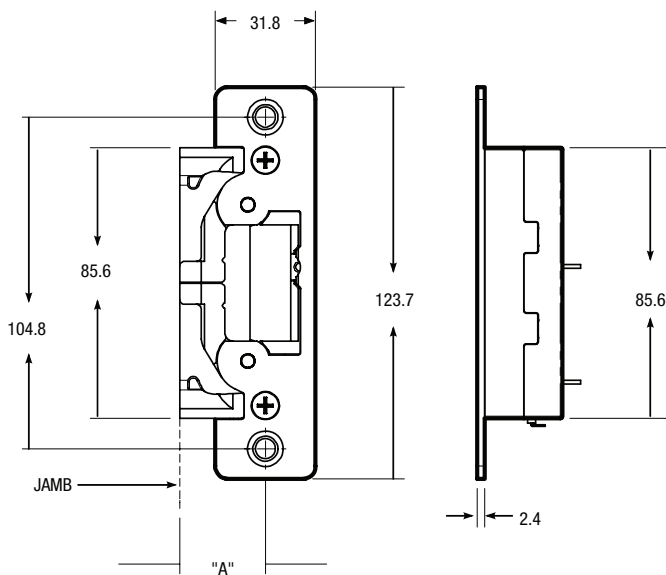
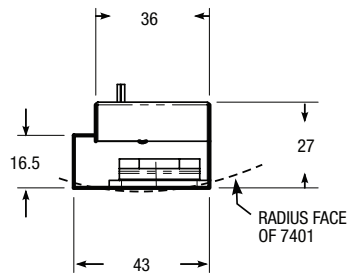
4710 Deadlatch ~ 4750 Deadlatch ~ Ritekey keypad ~
Push to Exit Button ~ Power Supply Unit

Note: For out of hours security specify the Sentinel 6 Deadlock in conjunction with the electric strike/latch combination.
The 7400 range is not currently suitable for use in applications where compliance with EN179 or EN1125 is required.

Dimensions

MILLIMETERS

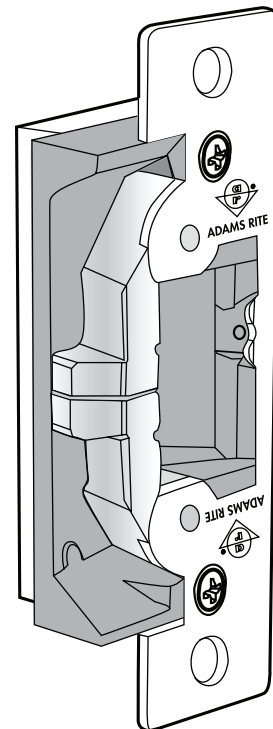
Nominal, subject of tolerance extremes



STANDARD UNIT FITS DIM "A" 27mm
MOUNTING BACKSETS FURNISHED

Specifications

Current draw:	12v AC=0.16A, 12v DC=0.44A, 24v AC=0.08A, 24v DC=0.23A DC intermittent and continuous units are silent, AC intermittent units 'buzz' on operation
Voltage Tolerance:	+/- 10%
Powered by:	Internal solenoid
Monitoring:	(optional) Double latch and solenoid.
Duty:	Fail safe or fail secure selectable on strike body (supplied in fail secure mode) DC required for fail safe operation
Jaw strength:	907kg
Case:	85.6mm x 36mm x 27mm Zinc aluminium alloy
Mechanism:	Stainless steel
Strike opening:	36.5mm x 15.9mm (adjustable) x 12.7mm
Door gap:	Minimum 3mm, operational gap 3-5mm
Faceplate:	Flat and radius aluminium: 123.7mm x 31.8mm
Finishes:	628 Satin Anodised
Subcover:	Standard subcover will suit a 44.45mm thick door that closes flush with jamb edge. For extension codes see below
Standards:	ANSI/BHMA 156.5 Grade 1 UL listed for burglary resistance



Ordering Codes

7400-628	ULTRALINE Electric Strike 12/24V AC/DC Flat SAA
7401-628	ULTRALINE Electric Strike 12/24V AC/DC Radius SAA
WDC7400	ULTRALINE 7400 Door Cover
LEK7400-05	ULTRALINE 05 Subcover Extension suit 50mm