

**CONCEALED ROD, PANIC EXIT DEVICE**

Heavy duty lever springs and internal mechanism for durable operation of lever and arm.

Plated steel and stainless steel components.  
8.5mm diameter, steel locking rods with 16mm bolt throw.

Bolt length adjustable ensuring correct alignment.

Standard model suitable for all widths of doors and 2135mm high. 300mm coupling rods are available for taller doors.

Available with standard mortice rim cylinder and mounting pad allowing external access.

Permanent bolt retention for easy access can be achieved with cylinder key or dogging pin to the underside of the operating lever.

Lever handles are satin chrome finish to compliment most door colours and are clearly marked 'PUSH'.

All Axim panic exit hardware is supplied with comprehensive instructions and full size templates for ease of installation.

**MATERIAL FINISH**

Lever Handles are satin chrome finish to complement most door colours and are clearly marked 'PUSH'.

All Axim Panic Exit Hardware is supplied with comprehensive instructions and full size templates for ease of installation.

**SUGGESTED SPECIFICATION**

Concealed vertical rod panic exit devices with paddle handle fitted to inside face of door. Exit device to secure top and bottom of the door except during operation cycle or when rods are retracted with key or dogging pin.

Operating paddle handle and lever not to exceed 120mm x 186mm projection.

All mounting screws to be concealed.

Handles and mechanisms will be fitted with heavy duty springs for durability.

Ref; AXIM PR-7085P (hand as specified)

**ACCESSORIES**

Extension rod with coupling for doors over 2135mm high (plated steel)

**Ref: RE-712**

Rim cylinder for access from outside

**Product codes:-**

**RC-795-AL** Silver Grey finish.

**RC-785-DU** Dark Bronze finish.

**RC-785-BK** Black finish.

Cylinder mounting pad for above including fixings

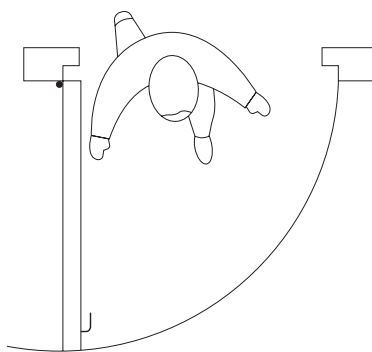
**Product codes:-**

**MP-786-AL** Silver Grey finish.

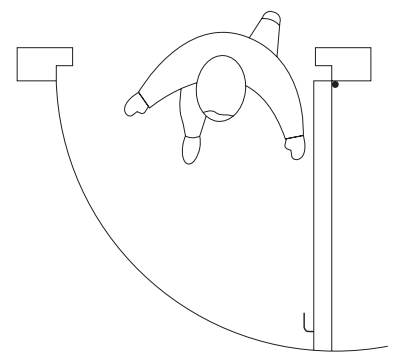
**MP-786-DU** Dark Bronze finish.

**MP-786-BK** Black finish.

**HAND OF DOOR**



LHRB



RHRB

**GUARANTEE**

AXIM HANDLES ARE GUARANTEED FOR 12 MONTHS AGAINST DEFECT IN MATERIAL AND WORKMANSHIP. THIS GUARANTEE IS VOID IF THE PRODUCT HAS BEEN INCORRECTLY INSTALLED OR DAMAGED IN USE. CLAIMS FOR DAMAGE INCURRED OR WORK DONE THEREON WILL NOT BE ACCEPTED.

AXIM RESERVE THE RIGHT TO UPDATE ITS PRODUCT SPECIFICATIONS WITHOUT PRIOR NOTICE.



**THE PARKSIDE GROUP LTD**

THE WILLOW CENTRE  
17 WILLOW LANE, MITCHAM, SURREY, CR4 4NX  
Tel: 020-8685 9685 Fax: 020-8646 5096  
Email: axim@parksidegroup.co.uk  
Web Site: http://www.axim.co.uk

SCALE	NTS @A4
DATE	MARCH 2014
For scaled technical or CAD drawings, please contact AXIM.	