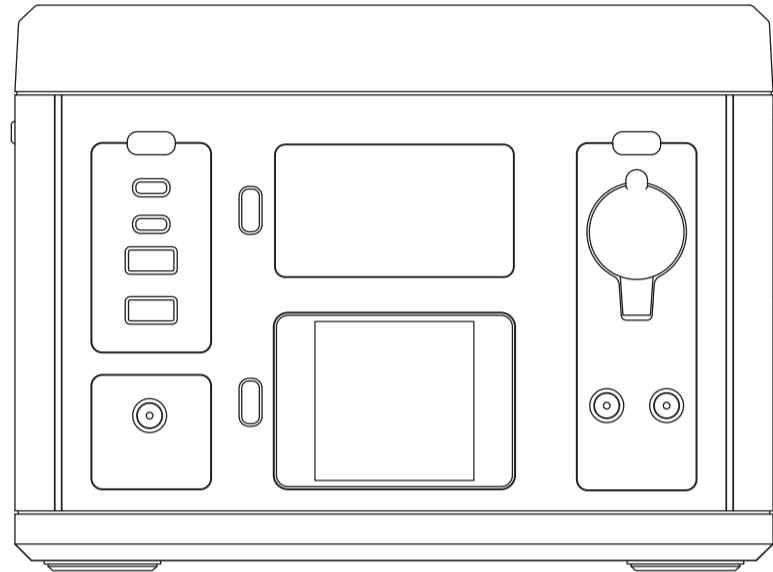




USER MANUAL

300W Portable Power Station Emergency Power Source



Model: SGR-PPS300-3

Thank you for purchasing our 300W Portable Power Station. This portable power station has 296Wh battery capacity, supports solar panels, vehicle charging and provides power for many other devices. It comes equipped with AC output, DC output, car port, USB ports and fast charging USB port for your convenience. Perfect for outdoor adventures, it is compatible with most electronic devices such as drones, laptops, lights, smartphones, tablets, cameras etc.

You can charge your electrical or digital products with this unit in case of power failure or you need to charge on a road trip. At the same time, it's also can be used as an emergency power supply, especially suitable for power failure caused by various natural disasters, such as, typhoons, floods, hurricanes, earthquakes, forest fires, snowstorms, low-temperature disasters etc.

It is also suitable for camping activities, outside electrical appliances charging, night market power supply, medical power supply, household electricity storage and so on. It can also be used as an emergency light.

Package Contents

- 1* AC Power Adapter
- 1* AC Power Cord
- 1* DC Car Charger Cable
- 1* User Manual

Warnings

- Before using the power station, please carefully read the following instructions:
1. The power station has a built-in lithium battery that is highly sensitive to high temperatures. It should be kept away from high heat sources.
 2. Keep away from moisture or water.
 3. Do not disassemble, microwave, puncture, incinerate or insert foreign objects into the power station.
 4. Do not crush, drop or place heavy objects on top of the device.
 5. Do not use the product if damaged or punctured.
 6. If not in regular use, charge the power station every other month to remain fully prepared for an emergency.

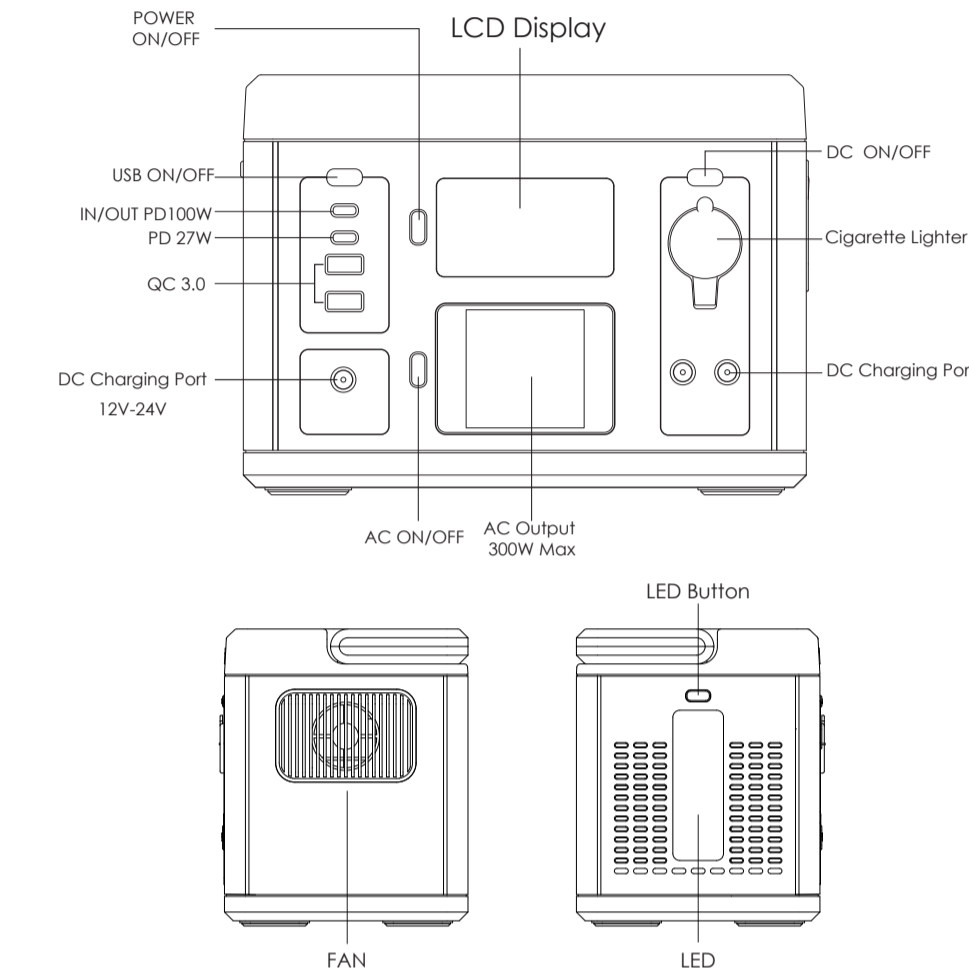
Technical Specification

Battery Capacity	Lithium-ion 296Wh(20Ah/14.8V)
AC Input Charging	AC100-240V to 19V/3A
Car Input Charging	DC12V~24V/7A Max
Solar Input Charging	DC12V~24V/7A Max
USB-C Charging	PD100W Max
DC Output	1*Cigarette Lighter+ 2*DC5521 Rated Output 12.8~16.5V/10A (Total 10A Max)
AC Output Waveform	Pure sine wave
AC Output Power	300W MAX
AC Output Voltage & Frequency	100V±10%, 55Hz±5% 110V±10%, 60Hz±5% 230V±10%, 50Hz±5%
USB Output	USB-C1: PD100W Max, (5V5A&9V5A&12V5A&15V5A&20V5A PD3.0) USB-C2: PD27W Max, (5V3A&9V3A&12V2.25A PD3.0) USB-A1: QC24W Max, (5V3A&9V2A&12V2A QC3.0) USB-A2: QC24W Max, (5V3A&9V2A&12V2A QC3.0)
LED Light	2W Max, 3 Levels(L/M/H)+SOS+Strobe
Safety Protection	Short-Circuit Over-Current Over-Voltage Low-Voltage Over-Load Over-Temperature
Operation Temperature	0℃~40℃ / 32℉~104℉
Battery Charge Cycle	≥1000 times DOD≥80%
Pass-Through Charging	Support
Weight	3.2kg / 7.05lbs

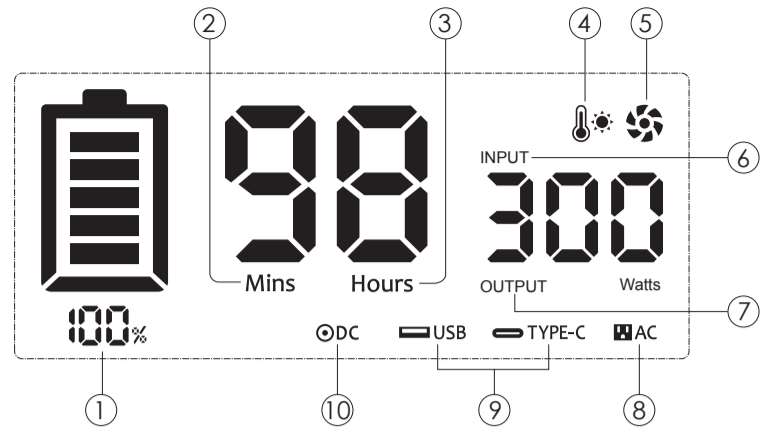
Use Instructions

1. Press the Power ON/OFF button to turn on the unit.
When some ports are not used, it is better to turn them off to save power.
2. Read the LCD screen to know which port is turned on.
3. Plug in your gear.
4. This unit supports full pass-through charging, so you can charge it and run your gear at the same time.

Product Diagram



LCD Display



①	Remaining Battery Percentage	⑥	Input Power
②	Remaining Usage Time or Remaining Charging Time(Minute)	⑦	Output Power
③	Remaining Usage Time or Remaining Charging Time(Hour)	⑧	AC Output Indicator
④	Temperature warning	⑨	USB Output Indicator Type-C Output Indicator
⑤	Cooling Fans	⑩	DC Output Indicator

Please Note

1. Remaining usage time is dependent on output wattage and what item(s) are being charged.
2. Remaining wattage and time will priority to display output power and usage time while charging and discharging simultaneously.

Auto-Sleep Mode:

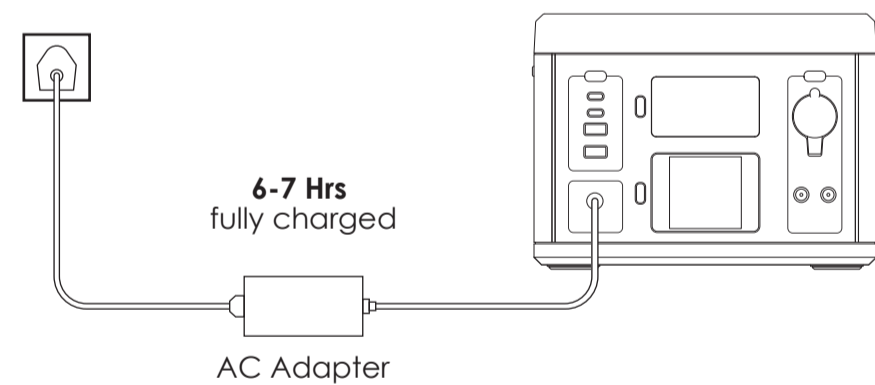
To avoid battery consumption caused by forgetting to turn off the output when not in use, the unit will switch to the Auto-Sleep Mode. That is, when the unit detects that no device is connected or the connected devices are less than or equal to 2W, it will automatically shut-off after 1 hour.

Refer to the table below for more details:

Output	Output Power	Defaults
AC Output	≤2W	The unit will automatically shut down after 1 hours
DC Output	≤2W	The unit will automatically shut down after 1 hours
USB Output	≤2W	The unit will automatically shut down after 1 hours
Car Output	≤2W	The unit will automatically shut down after 1 hours

Charging Ways

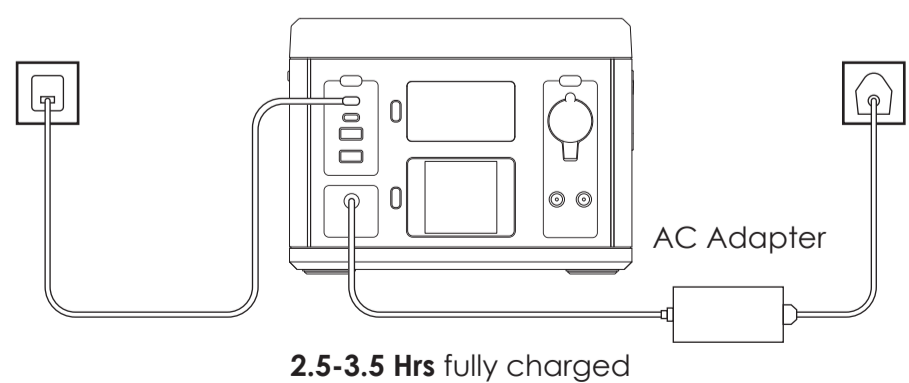
1. AC Wall Charging



NOTE:

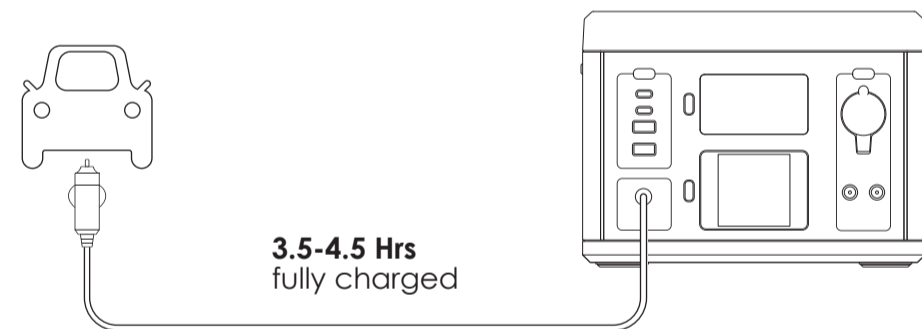
- 1) Only support the original charger to recharge the power station, DO NOT USE generic chargers, they could overheat or burn you.
- 2) The surface of AC Adapter heats up when charging. This is a normal phenomenon, please rest assured to use.
- 3) The working temperature range of AC adapter strictly complies to safety certification. Please do not cover the surface while charging.

2. AC Wall Charging + USB-C (PD100W) Charging



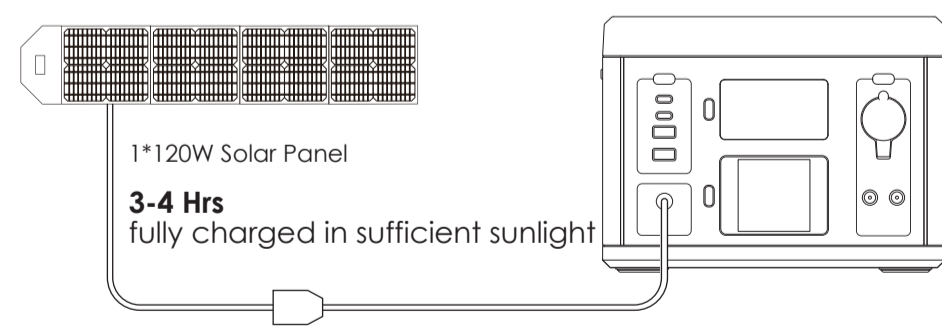
*USB-C (PD100W) charger needs to be purchased separately, not included in the package.

3. DC12V Car Charging



4. Solar Charging

We recommend a solar panel with the Optimum Operating Voltage (Vmp) of DC13V-24V. Never use higher than DC24V solar panel to recharge the power station.



Safety Precautions When Charging

1. Do not charge from car charger and solar panel at the same time, otherwise it will damage the car fuse.
2. Please don't put the power station in direct sunlight when charging in the high temperature environment.

Usage

1. Emergency

The power station can be used as an emergency power supply in case there is a power failure. It is especially suitable for locations vulnerable to severe weather and natural disasters, including floods, hurricanes, earthquakes, forest fires, snowstorms, etc.

2. Outdoor Activities

Camping, outdoor celebrations, fishing, climbing, outdoor photography, RC helicopter and drone charging, farming, bird watching, etc.

3. Home Backup

Home or office electric appliances, energy-saving lamps, television, mini-refrigerators, holiday decoration lights, fans, printers, laptops, smartphones, etc.

Usage time of devices

 iPhone 50+ Times	 20W Lamp 13 Hrs	 DRONE 10+ times	 60W Laptop 4 Hrs
 50W Fan 5.3 Hrs	 45W Mini-fridge 5.9 Hrs	 40W CPAP 6.6 Hrs	 70W LCD TV 3.8 Hrs

NOTES:

1. Run time=296Wh*90% (conversion rate)/Your device's power (Watts).
2. Support charging all electronic devices within 300W.
3. It is recommended to use a DC port instead of an AC port to power your CPAP machine.
4. The usage time for refrigeration machines with compressors mainly depends on temperature setting and start frequency of compressors, it's usually lasting longer time than certain reference time.
5. The charging times calculated above is for reference only. The actual usage time will depend on the power of the connected devices.

FAQS and Solutions

1. Which electronic appliances can I use with the unit?

All electronics devices within 300W.

2. What kind of solar panel should be selected to recharge the unit?

We recommend 100W-120W solar panel with the Optimum Operating Voltage(Vmp) of DC13V-24V. Never use higher than DC24V solar panel to recharge the power station.

3. Why does the unit have an Auto-Sleep Mode?

To avoid battery consumption caused by forgetting to turn off the output when not in use, the unit will switch to the Auto-Sleep Mode. That is, when the unit detects that no device is connected or the connected devices are less than or equal to 2W, it will automatically shut-off after 1 hour.

4. What kind of "mini-fridge" or "mini cooler" can I use with the unit?

The AC continuous output of the unit is 300W and the battery capacity is 296Wh. It can power any device within 300W. However, the usage time depends on the power of the fridge and the fridge compressor. Normally the power of the compressor is three times that of the fridge.

5. Is the unit water/weather resistant?

NO. Do not expose the unit to water.

6. Can the batteries be replaceable or upgradeable?

NO. Batteries are built in. NOTE-Opening the unit will void the warranty.

7. Is there a way to disable a port group?

YES. Clicking the button of a port group will disable/enable it. When enabled, an icon appears on the LCD screen.

8. How long will a single charge last without using the unit?

3-5 months. But we suggest you charge the power station every 2 months if not used for a long time. It's better to keep it full energy in case of emergency usage.

9. Does this device support pass-through charging?

YES. You can simultaneously charge other devices while recharging the power station.

10. Can this unit jumpstart a car battery?

NO.

Common Trouble Shooting

Failure Description	Types	Solutions
The unit can not charge from AC wall outlets	AC charging fault	1. Please ensure use of original AC adapter. 2. Please check if the AC wall plug is correctly connected. If still not solved, please contact customer care at support@keutek.com.
The unit can not charge from solar panel	DC solar charging fault	1. Please ensure solar panel is correctly connected as shown in user manual. 2. Please ensure the connected solar panel is meeting specified standard. 3. Please ensure solar panel is under sunlight environment. If still not solved, please contact customer care at support@keutek.com.
LCD Screen icon flash "AC" "DC" "USB"	Over-current protection Short circuit protection Over-voltage protection Low-voltage protection Over-Load protection	Resolve the problem by disconnecting plugs or removing electrical devices. The unit will recover itself after re-starting the corresponding switch. If still not solved, please contact customer care at support@keutek.com.
High-temperature icon continuous appears	High-temperature warning	Power station will recover itself after battery has cooled.

Warranty & Customer Service Support

Thanks for purchasing our 300W portable emergency power station. If you have any questions about it, please feel free to contact us.

Your valuable opinions and suggestions are highly appreciated. Welcome to leave your real and objective reviews to help other buyers for reference.

The unit is covered by a warranty of 36 months from the date of its original purchase date.

CAUTION

1. Do not overcharge the internal battery. See instruction manual.
2. Do not smoke, strike a match, or cause a spark in the vicinity of the power station.
3. Only charge the power station in a well-ventilated area.
4. Risk of electric shock. Connect only to properly grounded outlets.
5. Risk of injury to persons. Do not use this product if the power cord or the battery cables are damaged in any way.
6. Keep away from moisture or water. Do not use outdoors on rainy days.



Made in China