

SERIES 1 SPORT



USER MANUAL

TABLE OF CONTENTS

FEATURES	2
GENERAL	2
Get to know the Series 1 Sport	2
What's in the Box?	3
HOW TO USE	3
DISPLAY	4
Disc Golf Mode	4
THE ADVANTAGES OF SLOPE	5
RANGING TIPS	5
TECH SPECS	6
TROUBLESHOOTING	7
IMPORTANT SAFETY INFORMATION	8
LEGAL DISCLAIMER	9
COMPLIANCE	10
WARRANTY	12



FEATURES



**HD
DISPLAY**



**ACTIVE
SLOPE**



**FLAG
LOCK**



**PULSE
VIBRATION**



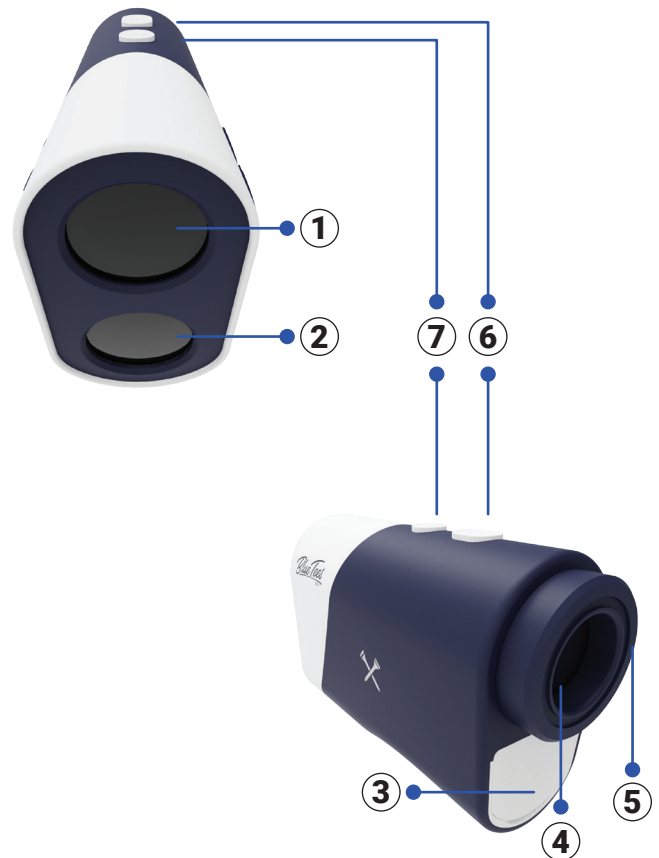
**700 YARD
RANGE**



**WATER
RESISTANT**

GET TO KNOW THE SERIES 1 SPORT

- ① Laser Emitter/Objective Lens
- ② Laser Receiving Lens
- ③ Battery Compartment
- ④ Eye Lens
- ⑤ Focus Ring Eyepiece
- ⑥ Power On/Start
- ⑦ Mode/Meter & Yard Button



WHAT'S IN THE BOX?

- Series 1 Sport Rangefinder
- Standard Soft Case
- Blue Tees Sticker
- Cleaning Cloth
- Digital Manual / App Download QR Code Insert
- One (1) CR-2 3V Lithium Battery
- Lanyard

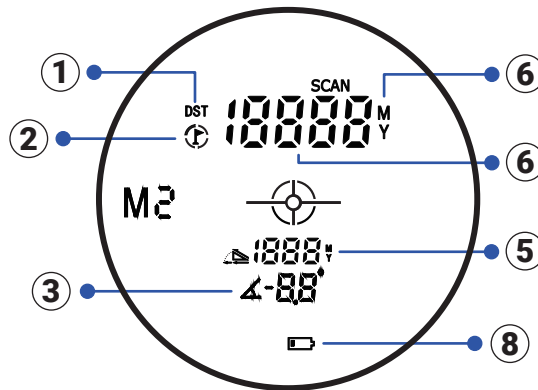
HOW TO USE

1. Remove the plastic wrap on the battery, then insert the battery into the battery compartment.
2. Look through the eyepiece and turn the focus dial clockwise or counter clockwise until the image is sharp.
3. Press the power button to turn on your Series 1 Sport. The display will turn off automatically when not in use.
4. Press the **MODE** button to select the Mode you need.
 - A. **[M1]** Slope OFF
 - B. **[M2]** Slope ON
 - C. **[M3]** Disc Golf Mode - Feet (Ft) & Slope ON
5. Press and hold the **MODE** button for 2-3 seconds to change the measure unit from Meters to Yards. (M/Y)
6. Aim the target through the cross on the display. Press and hold the start button to get a continuous reading as you move the rangefinder to scan the course, let go of the start button once aligned with your target for a locked distance

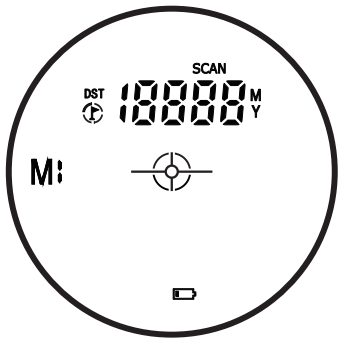


DISPLAY

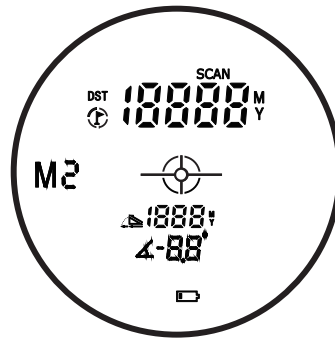
- ① Distance Icon
- ② Flag Lock Icon
- ③ Slope Angle
- ④ Feet Icon



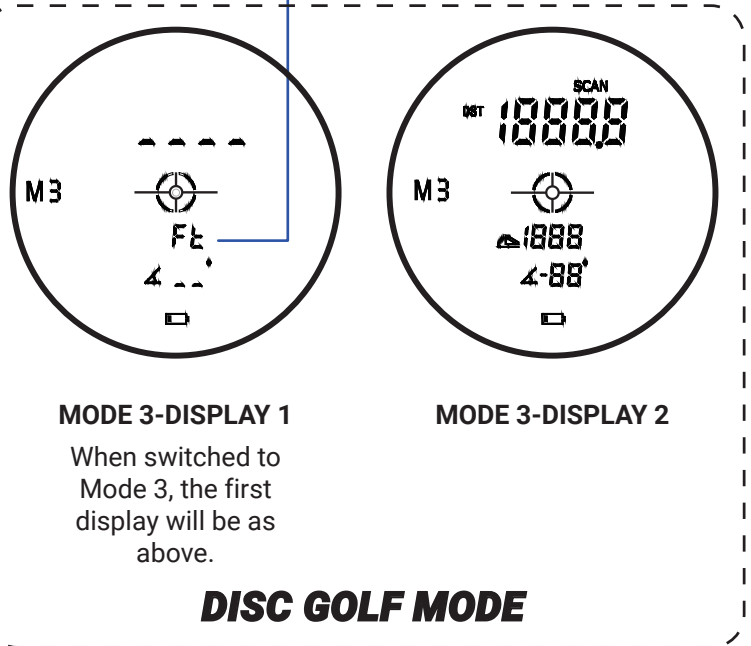
- ⑤ Slope Adjusted Distance
- ⑥ Meter/Yard
- ⑦ Beeline Distance
- ⑧ Battery Indicator Icon



MODE 1: SCAN
Press and hold MODE button, change measurement unit meter/yard



MODE 2: GOLF MODE
Press and hold MODE button, change measurement unit meter/yard



MODE 3-DISPLAY 1
When switched to Mode 3, the first display will be as above.

MODE 3-DISPLAY 2

DISC GOLF MODE

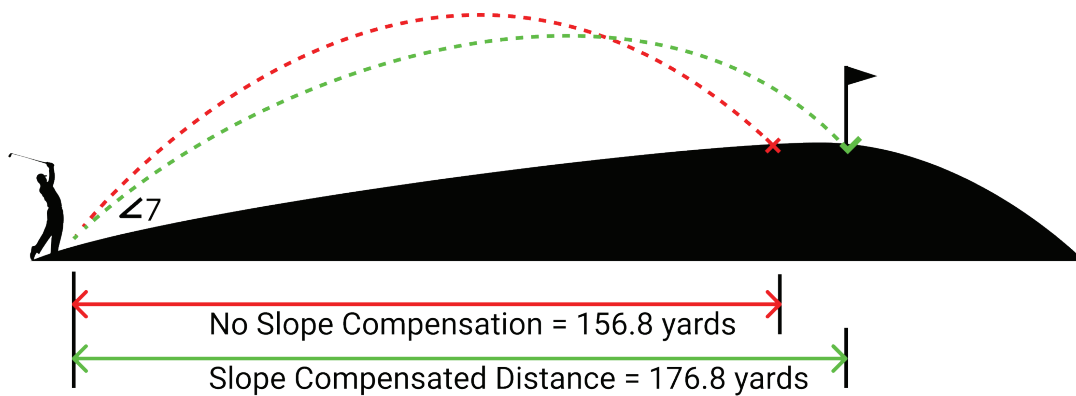
- Click once on the **MODE** button to change **MODE**.
- Long press for 3 seconds to change measurement unit between **METER** or **YARD** (Applied to M1 & M2)
- Press and hold the power button when measuring the target, the **SCAN** icon will show up (M1, M2 & M3 all applied.)

- The Disc Golf Mode automatically adjusts the slope calculation and beeline distance unit of measurement calculation to FEET(Imperial) for use in Disc Golf.

THE ADVANTAGES OF SLOPE

The distance to the black flag in the drawing (see below) is 156.8 yards, an uphill shot of 7° really plays at 176.8 yards. Without the slope adjusted distance function, you would come up 20 yards short (applicable to Golf Mode). The slope adjusted distance will be displayed as the play as distance below the line of sight distance.

NOTE: This product does not conform to USGA rules and regulations.



RANGING TIPS

- Be aware that snow, rain, and fog will have an adverse effect on ranging ability.
- Shiny, reflective surfaces will usually reflect better than dull, textured surfaces.
- Ranging under cloud cover can improve performance compared to bright sunny conditions.
- The position of the sun compared to the rangefinder and/or range target will greatly affect performance.
- Flat surfaces perpendicular to the laser pulse will reflect better than curved surfaces or surfaces angled in relation to the laser pulse.
- At longer distances, larger objects will be ranged easier compared to smaller objects.

TECH SPECS

Range Distance	700 Yards
Magnifications	6.5
Objective Lens	25mm
Field of View	7°
Objective Lens	25mm
Eyepiece Lens	16mm
Exit Pupil Diameter	3.9mm
Laser Type	905nm
Measuring Time	.5 -1 sec
Lens Coating	Fully Multi-Coated (FMC)
Lithium-ion Battery	CR2-3V *1 pc (UN 38.3)
Accuracy	±1m or ±0.1%
Net Weight	163 grams = 5.75 ounces
Dimensions	105 * 39 * 70mm
Low Battery Indicator	Yes
Slope Mode	Yes
Flaglock + Vibration	Yes
Water-Resistance	IPX4
Operating Temp	
Storage Temp. Range	



TROUBLESHOOTING

Never disassemble your laser rangefinder. Damage resulting from unauthorized disassembling voids the warranty.

If unit doesn't turn on, display does not illuminate:

- Press the power button.
- Check the battery compartment to make sure the battery is inserted correctly or if it has a low battery. Replace (CR2-3V) battery if needed.

If unit powers down (display goes blank when attempting to power the laser):

The battery is either weak or low quality. Replace the battery with a new battery (CR2-3V *1).

If target range cannot be obtained:

- Make sure the display is illuminated.
- Make sure that the Power button is being depressed.
- Keep your hands or fingers away from the objective lenses which will block the laser ray path. Make sure the rangefinder is held steady while pressing the Power button.

NOTE: The last range reading does not need to be cleared before ranging another target. Simply aim at the new target and press the Power button to acquire new readings.

IMPORTANT SAFETY INFORMATION

To help ensure reliable operation, the following care and maintenance guidelines are recommended:

- Do not stare directly at or into the laser beam.
- Do not aim the rangefinder at the sun. Your eyes and the components inside can be permanently damaged looking into the sun with this device.
- Keep the eyepiece away from direct sunlight.
- Do not put the device in an environment out of a temperature range between 50 -140° F or 10-60° C.
- Before use, remove plastic wrap from the battery. Lift the battery compartment door and insert the battery at a 25° angle so that the flat end of the battery touches the coiled part of the battery chamber.

WARNING: This product uses a Lithium based battery. Lithium batteries can overheat and cause damage if physically abused. Do not use batteries that are damaged or show signs of physical wear.

CLEANING AND GENERAL CARE

The lens of your laser rangefinder is fully multi-coated for the highest light transmission. As with any multi-coated optics, special care must be taken in cleaning the lens. Follow these tips for proper lens cleaning:

Blow away any dust or debris on the lens (or use the Blue Tees cleaning cloth).

To remove dirt or fingerprints, clean with the Blue Tees microfiber cloth rubbing in a circular motion. Use of a coarse cloth or unnecessary rubbing may scratch the lens surface and eventually cause permanent damage. The washable microfiber cleaning cloth included with your rangefinder is ideal for the routine cleaning of your optics. Simply breathe lightly on the lens to provide a slight amount of moisture, then gently rub with the microfiber cloth.

For a more thorough cleaning, photographic lens tissue and photographic lens cleaning fluid or isopropyl alcohol may be used. Always apply the fluid to the cleaning cloth - never apply it directly on the lens.

The rangefinder is water resistant, but should not be exposed to heavy rain or other direct streams of water. Additionally, it will not withstand submersion in water or other liquids.



IMPORTANT SAFETY INFORMATION

CLEANING AND GENERAL CARE

1. To protect the lens coating, do not touch the lens surface with your fingertips.
2. If the lens gets dirty, gently wipe with your Blue Tees cleaning cloth.
3. The Series 1 Sport has been precisely calibrated. Do not disassemble. If a repair is needed, contact us at support@blueteesgolf.com
4. Store your rangefinder in a dry, cool, and ventilated place, such as the provided carrying case.
5. Avoid collision or heavy pressure when carrying or using the rangefinder.
6. Rain and fog may affect the laser ray path, which may cause incorrect measurements.
7. Use caution when using the built in magnetic strip to attach the Series 3 Max to the golf cart. Be careful driving over rough terrain. Heavy bumps, potholes or curbs can cause the rangefinder to fall off, incurring damage that is not covered under the two year limited warranty.

LEGAL DISCLAIMER

By using this product, you agree that Blue Tees Enterprises, LLC Products will not be held legally responsible for any injury or damage to you, or any person or property caused by the user's improper operation and/or poor judgment while using this product.

Note: See *Limited Warranty* for other limitations to our liability.

COMPLIANCE

CLASS 1 LASER PRODUCT

FDA STATEMENT

Complies with 21CFR1040.10 and 1040.11 except for conformance with IEC60825-1 Ed.3., as described in Laser Notice 56, dated May 8, 2019.

Caution: Use of controls or adjustments or performance of procedures other than those specified herein may result in hazardous radiation exposure.

- This product contains no user serviceable controls.
- This product must not be opened or modified by the consumer.
- This product must be returned to the manufacturer for service.

Disposal of Electric & Electronic Equipment

This device contains electric parts; therefore, it cannot be disposed of as normal household waste. Instead, it should be taken to your respective collection point for community recycling, your local waste company or the store where you originally purchased your device.

INDUSTRY CANADA STATEMENT

This device complies with ISED's license-exempt RSSs. Operation is subject to the following two conditions: (1) This device may not cause harmful interference, and (2) this device must accept any interference received, including interference that may cause undesired operation.

RADIATION EXPOSURE STATEMENT

This device complies with the Industry Canada portable RF exposure limit set forth for an uncontrolled environment and is safe for the intended operation as described in this manual. Further RF exposure reduction can be achieved if the product can be kept as far as possible from the user's body or if the device is set to a lower output power if such function is available.

WARNING: AVOID DIRECT EYE CONTACT WITH LASER PATH

COMPLIANCE

FCC STATEMENT

This device complies with part 15 of the FCC Rules. Operation is subject to the following two conditions: (1) This device may not cause harmful interference, and (2) this device must accept any interference received, including interference that may cause undesired operation.

This equipment has been tested and found to comply with the limits for a Class B digital device, pursuant to Part 15 Of the FCC Rules. These limits are designed to provide reasonable protection against harmful interference in a residential Installation.

This equipment generates, uses and can radiate radio frequency energy and, if not installed and used in accordance with the instructions, may cause harmful interference to radio communications. However, there is no guarantee that interference will not occur in a particular installation.

If this equipment does cause harmful interference to radio or television reception, which can be determined by turning the equipment off and on, the user is encouraged to try to correct the interference by one or more of the following measures:

- Reorient or relocate the receiving antenna.
- Increase the separation between the equipment and receiver.
- Connect the equipment into an outlet on a circuit different from that to which the receiver is connected.
- Consult the dealer or an experienced radio/TV technician for help.

Service Notes

- The consumer may remove the battery door to replace the battery.
- This product contains no user serviceable controls.
- This product must not be opened or modified by the consumer
- This product must be returned to the manufacturer for service.

WARRANTY

TWO-YEAR LIMITED WARRANTY

Your Blue Tees Golf® laser rangefinder is warranted to be free of defects in materials and workmanship for two years after the date of purchase. In the event of a defect under this warranty, we will, at our option, repair or replace the product, provided that you return the product postage prepaid. This warranty does not cover damages caused by misuse, improper handling, installation, or maintenance provided by someone other than a Blue Tees Golf® Authorized Service Department.

REGISTER YOUR RANGEFINDER WARRANTY

Scan the QR code below to register your two year limited warranty or visit us at www.blueteesgolf.com/pages/register





Need Help?

Questions or concerns about your Series 1 Sport?
Reach out to us at support@blueteesgolf.com

www.blueteesgolf.com

[@blueteesgolf](https://www.instagram.com/blueteesgolf)



DESIGNED IN CALIFORNIA

CHINA. CHINE. CINA. KINA.