

## PRODUCT MANUAL

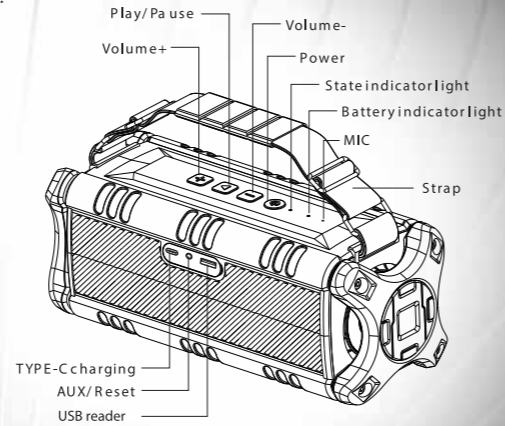
Thank you for purchasing the boAt Stone 1400 Mini. You are now just a step away from the realm of Nirvana. Please follow this user manual carefully in case of any doubt that may arise. You can stay plugged into the sound with Bluetooth wireless technology, AUX and TWS mode. Stone 1400 Mini is equipped with DSP. This portable speaker has been designed for smooth interface that requires minimal of efforts. It's time to delve deeper into Nirvana.

### Accessories

- boAt Stone 1400 mini x 1
- User manual x 1
- Type-C Cable (For Charging) x 1
- 3.5mm AUX cable x 1
- Warranty Card x 1



### Buttons:



### LED Status

Items	Instructions	LED status
Power On	Long press "⏻" for 2-3 seconds	Blue LED Turns On
Power Off	Long press "⏻" for 2-3 seconds	Blue LED Turns Off
Pairing	Auto Pairing Mode	Blue LED starts flashing
Successful pairing	Select BoAt Stone 1400 Mini	Blue LED stays steady
Disconnect	Press "+" and "-" together	Blue LED starts flashing
Receive a call	Short press "▶" to receive incoming calls (Under TWS only, the Main device will work for calls)	/
Reject the call	Long press "▶" for rejecting calls	/
Hang up the call	Short press "▶" to hang up when are you on a call	/
Call back	Short press "▶"	Solid Magenta
Aux in Mode	Insert the aux cable into the aux jack	White - Blink
USB Reader Mode	Insert USB disk into the USB Jack	Green Blinking
TWS Pairing	Double press the "⏻"	Red Continuous Blinking
Disconnect TWS	Press "+" - buttons together	Multiple colors
Volume Up	Short press +	/
Volume down	Short press -	/
Next track	Long press +	/
Previous Track	Long press -	/

Items	Instructions	LED status
Play/Pause/Mute	Short press "▶" (Mute in Aux Mode)	/
Outdoor Mode EQ	Double press "▶"	Green LED flashes (AUX mode), Blue LED flashes (BT mode)
Indoor Mode EQ	Double press "▶"	Green LED stays steady (AUX mode), Blue LED stays steady (BT mode)
Charging	Insert 5V Type-C USB Cable	Red LED stays steady
Charging Finished	/	Red LED turns off
Reset	Insert sleek and pointed insulator into the aux jack	LED turns off

*NOTE: The mode and volume work according to the memory function. Once the speaker is switched on, the volume and mode will adjust themselves to the settings prior to the speaker getting switched off.*

### Bluetooth Connection

Turn the speaker on by keeping the power button pressed for a few seconds, then the blue LED starts flashing quickly. The speaker has now entered pairing mode.

Connecting your device:

1. Activate your phone's Bluetooth.
2. Go to your phone's Bluetooth settings, scan for new Bluetooth devices.
3. Once the device "Stone 1400 Mini" has been found, please click on the same.
4. In case your phone asks for a pairing code, please enter "0000".
5. After successful pairing, your speaker indicates the same with a voice prompt and the LED flashes blue.

*Note: Pairing time varies according to different mobile phones. The speaker can remember the last 8 paired devices name.*

### Toggle EQ

1. Outdoor Mode: To switch the EQ to outdoor mode, kindly double press "▶".
2. Indoor Mode: To switch the EQ to indoor mode, please double press "▶".

### USB Reader Mode

- To play songs in the USB mode, you may plug the USB disc into the USB jack provided on the speaker.

### To Charge

- Use type-C USB cable to charge the speakers
- Charging: The red light is steady
- Fully charged: the Red light goes off

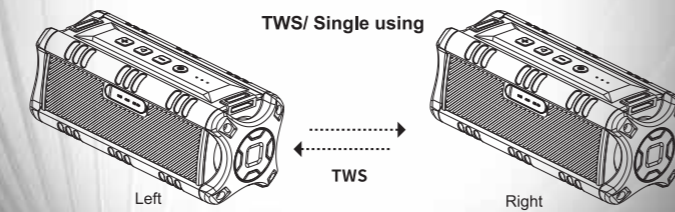
*Note: It is recommended that the speakers are not used while they are being charged, as it is not good for the battery.*

### Specifications

Product size	251*95*95mm	THD	≤10%
RMS Output Power	2*9W	SNR	≥70Db
Music Format	MP3, WAV, WMA, APE, FLAG	Charging Voltage	Type C DC/2000mA
Bluetooth Version	Version 4.2	Battery Info	7.2V/2000mAh
Supported functions	USB, Bluetooth, Hands-free, AUX IN, TWS Connection	Charging time	2-3 Hours
Operating Range Device	10meters	Playing time	Up to 7 hours
Speaker size	40mm	IP Rating	IPX5

### TWS

1. Turn on both the devices, blue LED will flash to indicate the same.
  2. Select one of the devices and double press the power "⏻" button. Both the devices will pair with each other. While in the process, the main device will flash with blue and green LED alternatively.
  3. After successful pairing, blue LED indicators will start to flash slowly in both the devices.
  4. In your phone, search for "Stone 1400 Mini" and click on the same. Once the connection has been established the two devices can play music simultaneously.
  5. To disconnect TWS, kindly press "+" and "-" buttons together. The blue LED will flash rapidly to indicate the same
- Note: TWS works only in Bluetooth mode. In the TWS mode, only the main speaker can receive calls. When the speaker doesn't seem to connect with the phone, just press "+" and "-" buttons together and disconnect with the TWS Mode.*



### Troubleshooting

- A.
- **Question:** The device cannot find "boAt Stone 1400 Mini" on Bluetooth?
  - **Reason:** The speaker may not be in pairing mode.
  - **Solution:** Press and hold the "▶" button for up to 3 seconds to search again.
- B.
- **Question:** The speaker is taking very long to charge?
  - **Reason:** The adapter's power output is too low, and the charging cable's consumption is too high.
  - **Solution:** Please choose the adapter with an output that is not less than DC 5V/1A and use the original charging cable.

### Safety Precautions

- Please note that the battery life of the speaker varies with the volume music is being played at. If at a lower volume, the battery life will be longer than when the speakers are playing at full volume.
- If the speaker requires cleaning please ensure that it is done with the utmost of care. Furthermore, make sure it is turned off and disconnected from all Bluetooth devices. Do not use alcohol, benzene and other chemicals to clean the speaker. Do not allow the speaker within range of extremely hot or cold substances.
- Try to ensure that no physical damage comes to the speaker via falling, or coming into contact with hard surfaces or sharp edges.
- Do not dismantle the speaker or handle the battery in any way. If any issue arises with the speaker, please enlist the aid of a manufacturer. The battery must not be mishandled or replaced as when it can result in explosions or fire hazards. Therefore, please ensure that any servicing of the speaker is done through the service provider or manufacturer.
- If the speaker gets wet, please ensure that it is dried quickly and completely after coming into contact with water. Please do not allow the speaker to be submerged into water at any cost.

