

2.1 SOUNDBAR SPEAKER SYSTEM

Model No: - AAVANTE BAR 1500

Bluetooth Name: Aavante Bar 1500



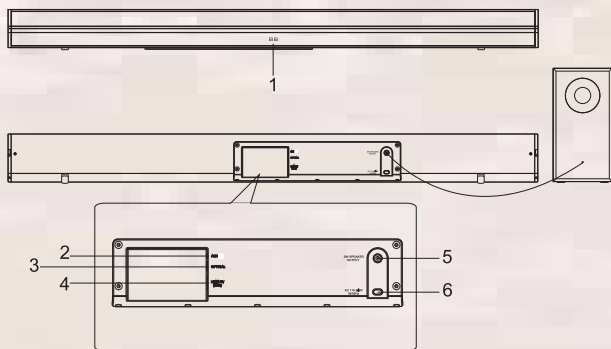
Discover a new level of immersive, cinematic audio experience at home with the boAt AAVANTE Sound bar 1500. With a powerful 120 W total output, a slim sound bar and versatile 2-way subwoofer brings every aspect of your entertainment be it a song, show or movie to life in the volume and clarity it deserves. Drivers at each end of your sound bar deliver a clear mid and high range, while a 60 W subwoofer fills in the rumbling lows. The 2.1 channel sound system provides a balanced sound and deep bass for your movies, music and even video games and you can experience cinematic sound that revolves around you. Stay plugged into the sound with an array of wired connections, and Bluetooth® wireless technology. Bring your home to life with the AAVANTE Sound bar 1500.

A promotional photograph of actor Kartik Aaryan. He is wearing a black t-shirt with the BOAT logo and the slogan 'plug into nirvana'. He has a beard and is posing with his right arm raised and fist clenched. The background is a vibrant red with some dark, abstract brushstrokes.

boat
plug into nirvana

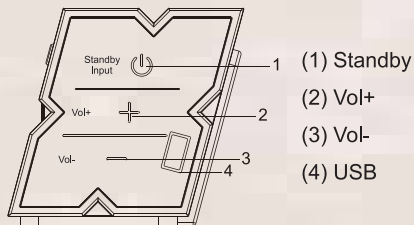
Kartik Aaryan
Kartik Aaryan

Controls and connections



1. DISPLAY
2. AUX
3. OPTICAL
4. HDMI TV (ARC)
5. CONTACT SUBWOOFER SPEAKER
6. AC110-240 V 50/60Hz

Controls and connections



Remote Control - Control/Functions



1. **STANDBY:** Standby mode for power on/off.
2. **PAIR:** Long press this button to disconnect to the pairing device
(Bluetooth Name: Aavante Bar 1500)
3. **LUM:** Brightness control.
4. **Loop playback.**
(Only work under USB mode, Press to select "ON" to loop playback only one song, press again to select "AL" to loop playback all songs,)
5. **VOL+:** Volume increase adjustment button.
6. **Prev song.** (Only work under USB and BT mode,)
7. **VOL-:** Volume Downward Adjustment Button.
8. **-10:** Go back ten songs. (Only work under USB mode,)
9. **TREBLE-:** Treble Decrease Button.
10. **BASS-:** Bass Decrease Button.
11. **MUSIC:** Select the MUSIC EQ effect.
12. **NEWS:** Select the NEWS EQ effect.
13. **MUTE** mode.
14. **INPUT:** AUX/USB/PAIR/OPT/HDMI (ARC) Selection.
15. **RESET:** Location retrieval.
16. **Press to stop.** (Only work under USB mode,)
17. **Next song.** (Only work under USB and BT mode,)
18. **+10:** Go ten songs forward. (Only work under USB mode)
19. **TREBLE+:** Treble Increase Button.
20. **BASS+:** Bass Increase Button.
21. **MOVIE:** Select the MOVIE EQ effect.
22. **3D:** Select the 3D EQ effect.
23. **Play/Pause** (Only work under USB and BT mode,)

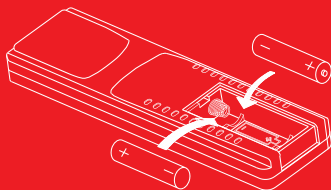
Remote Control Battery Replacement

Please insert the batteries as indicated below

A: Remove the battery compartment cover



B: Insert 2 AAA batteries according to the markings inside compartment



C: Close the compartment.



Important Safety Instructions

Caution:

To reduce the risk of electric shock, do not dismantle the AAVANTE Bar 1500 and do not expose the apparatus to rain or moisture.



Important Safety Instructions

Caution:



If the light flashes within an equilateral triangle this is to alert you to the presence of uninsulated dangerous voltage within the product's enclosure that may be of sufficient magnitude to constitute an electric shock to a person or persons.



Important! This symbol alerts you to read and observe important warnings and instructions on the unit or in this manual.

Important Notes

- Before turning on the power for the first time, make sure the power adaptor is properly connected.
- This sound bar is specially developed for LED/LCD/Plasma TV's: It should not be used in combination with CRT TV's (Cathode Ray Tube TV's) in order to avoid image interferences.
- Do not attempt to remove any screws, or open the casing of the unit; there are no user serviceable parts inside. Refer all servicing to qualified service personnel.
- Operate the soundbar only as instructed in this manual and this instruction manual should be retained for future reference.
- If connected to a TV via Bluetooth there may be a sound lag between the TV and the device. To solve this, the best option is to connect the TV and Soundbar using an aux/ optical/ HDMI output.
- The Soundbar may not be compatible with all Bluetooth capable TV's. In this case, please use an aux/ optical/ HDMI output to connect the Tv and Soundbar to one another.

Please ensure that the boAt AAVANTE Bar 1500 is not exposed to the following:

- Dripping or splashing water or placed in a humid atmosphere such as a bathroom.
- places exposed to direct sunlight or close to radiators.
- On top of other stereo equipment that radiate too much heat.
- Blocking ventilation or in a dusty area.
- Areas where there is constant vibration.
- Humid or moist places.
- Do not place the sound bar near candles or other naked flames.

Safety Instructions

Power sources - This soundbar should be operated only from the type of power source indicated by the marking adjacent to the power cord entry.

Grounding - the soundbar is not required to be grounded. Ensure that the plug is fully inserted into the wall socket or extension cable to prevent pin exposure.

Power cord protection - Power-supply cords should be routed so that they are not likely to be walked on, kinked or pinched by items placed on or against them, paying particular attention to cords from plugs.

Overloading - Do not overload wall sockets, extension cables, as this can result in a risk of a fire or electric shock.

Ventilation - The soundbar must be properly ventilated. Do not place the soundbar on a bed, sofa, or other similar surface. Do not cover the soundbar with any items such as table clothes, newspapers, etc.

Heat -The soundbar should be situated away from heat sources such as radiators, stoves, or other devices, including amplifiers that produce heat. No naked flame sources, such as lighted candles, should be placed on the Sound bar or sub-woofer.

Water and moisture -To reduce the risk of fire or electric shock, do not expose the soundbar to rain, dripping, splashing or excessive moisture such as in a sauna or bathroom. Do not use this soundbar near water, for example, near a bathtub, washbowl, kitchen sink, laundry tub, wet basement or near a swimming pool (or similar).

Object and Liquid Entry - Never push objects of any kind into this soundbar through openings, as they may touch dangerous voltage points or short-circuit parts that could result in a fire or electric shock. Never spill liquid of any kind on the soundbar. Do not place any object containing liquid on top of the soundbar.

Accessories - Do not place this soundbar on an unstable stand, tripod, bracket or table. The soundbar may fall, causing serious injury to a child or adult, and serious damage to the soundbar.

Unused periods -The power cord of the soundbar should be unplugged from the mains during lightning storms or when the apparatus is left unused for a long period of time.

Safety Instructions (Cont.)

Servicing - Do not attempt to service this soundbar yourself, as opening or removing covers may expose you to dangerous voltage or other hazards and will void your warranty

Mains fuses - For continued protection against fire hazard, use fuses only of the correct type and rating. The correct fuse specification for each voltage range is marked on the soundbar.

Do not turn up the volume while listening to a section with very low level inputs or no audio signals. If you do, the speaker may be damaged when a peak level section is suddenly played.

Try to install the soundbar near a wall socket or extension cord to make sure that it is easily accessible.

The highest environmental temperature suitable for this soundbar is 35°C. If the soundbar may be reset or not reset to operation of control due to electrostatic discharge, just switch off and reconnect again, or move the soundbar to another location away from the TV

Battery

- 1). The batteries must not be exposed to excessive heat such as sunshine, fire etc.
- 2). The batteries should be drawn to the environmental aspects of battery disposal.
- 3). **Battery usage** - to prevent battery leakage which may result in body injuries, property damage, or damage to the apparatus: Install all batteries correctly, + and - as marked on the apparatus. Do not mix batteries (old and new or carbon and alkaline, etc.) Remove batteries when the unit is not used for a long time.

Important Notes

- If connected to a TV via Bluetooth there may be a sound lag between the TV and the device. To solve this, the best option is to connect the TV and Soundbar using an aux/ optical/ HDMI output.
- The Soundbar may not be compatible with all Bluetooth capable TV's. In this case, please use an aux/ optical/ HDMI output to connect the Tv and Soundbar to one another.

Warning

This soundbar is not intended for use by persons (including children) with reduced physical sensory or epilepsy, or lack of experience and knowledge, unless they have been given supervision or instructions concerning use of by a person responsible for their safety.

1. To prevent possible hearing damage, do not listen at high volume levels for long periods of time or a sudden high volume level.
2. Switch off the device whenever you are not using it, even if this only for a short while.
3. The soundbar is not intended to be operated by means of an external timer or separate remote-control system.
4. Before operating this device, check the voltage of this system to see if it is identical to the voltage of your local power supply.
5. The unit should not be impeded by covering the ventilation opening with items such as newspaper, table-cloths, curtains etc. Make sure that there are at least 20 cm of space above and at least 5 cm of space on each side of the unit.
6. The soundbar must not be exposed to dripping or splashing and that objects filled with liquids, such as vases, must not be placed on the apparatus.
7. To prevent fire or shock hazard, do not expose this device to hot places, rain, moisture or dust.
8. Do not locate this device near any water sources e.g. taps, bathtubs, washing machines or swimming pools. Ensure that you place the unit on a dry, stable surface.
9. Do not place this device close to a strong magnetic field.
10. Do not place the device on an amplifier or receiver.
11. When removing the power plug from the wall socket, always pull directly on the plug, never pull on the cord.
12. Depending on the electromagnetic waves used by a television broadcast, if a TV is turned on near this unit while it is also on, lines might appear on the TV screen.
13. Neither this unit nor the TV is malfunctioning. If you see such lines, keep this unit well away from the TV set.

Trouble Shooting

No sound

- Check that the Sound bar system is not set to standby.
- Check that the correct source is selected.

No sound/low volume

(Computer or personal audio player connected to the AUX Port)

- If the source has a volume control, check that this is turned up.

No sound (digital audio source)

- Check that the sample rate of the source is in the correct range for the sound bar system.

No remote control operation

- The batteries may be flat. Try replacing the batteries.

Care and cleaning

After using the sound bar system please set it in Standby Mode.

All care and cleaning operations should be carried out with the unit unplugged from the main power.

The surface of the unit can be cleaned with a barely damp cloth and then dried carefully.

Never use abrasives, abrasive cloths or chemical solvents.

Loudspeaker grilles can be cleaned carefully with a soft brush. If you wish to use an aerosol cleaning spray, do not spray directly on the cabinet; spray onto the cloth. Be careful not to damage the speakers.

CONNECT WITH US ON



boAt-lifestyle.com



facebook.com/boat.nirvana



instagram.com/boat.lifestyle1

boAt
plug into nirvana



boat
plug into nirvana

Hardik Pandya

Hardik Pandya