



AAVANTE BAR A1040

Thank you for choosing boAt Aavante Bar A1040 as the audio source for your home. You are a step away from the realm of pure audio bliss. With the Aavante Bar A1040, experience immersive, cinematic audio on a whole new level at home. Stay plugged into the sound with an array of wired connections, USB port, and wireless Bluetooth v5.3 technology. This 2.1 channel soundbar with a wired Subwoofer provides balanced sound for movies, music, and even video games where you can experience cinematic sound that revolves around you. We recommend that this manual be carefully read for proper usage and referred to in case of difficulties.

Package Contains:

- 1X Soundbar
- 1X Power Cable
- 1X AUX Cable
- 1X Remote Control
- 1X Wired Subwoofer
- 1x Catalogue
- 1X Warranty Card
- 1X User Manual

USER MANUAL

REMOTE CONTROL BATTERY SETUP & REPLACEMENT

Please insert the batteries as shown below-



Step 1: Remove the battery compartment cover.

Step 2: Insert two AAA batteries according to the polarity markings (+ / -) inside the compartment. Make sure the batteries are correctly aligned and properly pushed into place.

Step 3: Close the battery compartment.

Precautions When Using Batteries:

- Do not use old and new batteries together.
- The batteries must not be exposed to excessive heat such as sunshine, fire etc.
- Do not use different types of batteries together.
- Install the batteries correctly as per the polarity markings to prevent battery leakage.
- Remove the batteries from the remote if you do not intend to use it for a long time.
- When discarding used batteries, follow the guidelines for recycling and disposal of batteries that apply in your local area.
- Keep batteries away from children and pets.

OPERATING RANGE OF THE REMOTE CONTROL

- When the unit is mounted on a wall, point the remote control at the remote-control sensor on the panel. The provided Remote Control allows the unit to be operated from a distance.
- Even if the Remote Control is operated within the effective range of 26.2 feet (8m), remote control operation may be impossible if there are any obstacles between the unit and the remote control.
- If the Remote Control is operated near other products which generate infrared rays, or if other remote-control device using infrared rays are used near the unit, it may operate incorrectly. Conversely, the other products may operate incorrectly.

GENERAL OPERATION

Function	Action
Turn the soundbar ON	Press the power button on the soundbar or press the STANDBY button on the remote control to switch the soundbar on. The default input mode will appear on the display after being switched on.
Turn the soundbar OFF	Press the STANDBY button on the remote control or unplug from the wall outlet to switch the soundbar off.
Change the input source/mode	When the soundbar is on, press the INPUT button on the remote repeatedly to change the input source.
Increase/decrease the volume	Press the VOL + / VOL - buttons on the remote control to adjust the volume level

SAFETY & WARNINGS

Caution

To reduce the risk of electric shock, do not dismantle the product and do not expose it to rain or moisture. The unit has no user-serviceable parts inside. Please refer servicing to qualified personnel only.

The lightning flash within an equilateral triangle is intended to alert you to the presence of uninsulated dangerous voltage within the product's enclosure that may be of sufficient magnitude to constitute an electric shock to a person or persons.

Important! This symbol alerts you to read and observe important warnings and instructions on the unit or in this manual.

Notice:

This appliance is not intended for use by people (including children) with reduced physical sensory or mental capabilities, or lack of experience and knowledge unless they are under proper supervision. Children should be supervised to ensure that they do not play with the appliance.

1. To prevent possible hearing damage, do not listen at high volume levels for longer periods of time.
2. Never use the device unsupervised! Switch off the device when not in use.
3. The appliance is not intended to be operated by means of an external timer or separate remote controller system.
4. If the power supply cord is damaged, it must be replaced by the manufacturer, service agent or similarly qualified persons in order to avoid a hazard.
5. Before operating this system, check the voltage of this system to see if it is identical to the voltage of your local power supply.
6. The unit should not be impeded by covering the ventilation opening with items such as newspaper, table-cloths, curtains etc. Make sure that there are at least 20 cm of space above and at least 5 cm of space on each side of the unit.
7. The system must not be exposed to dripping or splashing. Do not place objects filled with liquids such as vases, bottles or humidifiers on the unit.
8. To prevent fire or shock hazard, do not expose this equipment to direct heat, rain, moisture or dust.

9. Do not place this unit near any water sources e.g. taps, bathtubs, washing machines or swimming pools. Ensure that you place the unit on a dry, stable surface.
10. Do not place this unit close to a strong magnetic field.
11. Do not place this unit on an amplifier or a receiver.
12. Do not place this unit in a damp area as the moisture will affect the life of electric components.
13. Do not attempt to clean the unit with chemical solvents as this might damage the finish. Wipe with a clean, dry or slightly damp cloth.
14. When removing the power plug from the wall outlet, always pull directly on the plug, never pull on the cord.
15. Depending on the electromagnetic waves used by a television broadcast, if a TV is turned on near this unit while it is also on, lines might appear on the LED TV. Neither this unit nor the TV is malfunctioning. If you see such lines, keep this unit away from the TV set.
16. The mains plug is used to disconnect the device, the disconnected device should remain readily operable.

IMPORTANT SAFETY INSTRUCTIONS

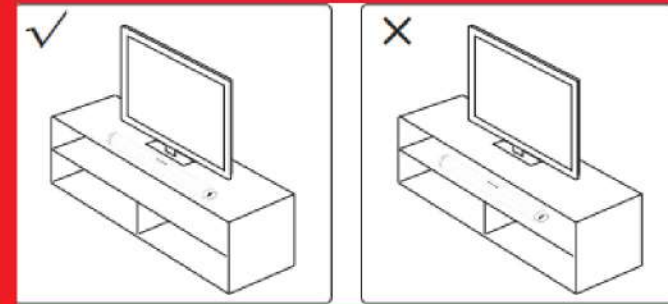
1. Read these instructions. Keep these instructions. Follow all instructions. Heed all warnings.
2. Do not use the device near water.
3. Clean only with a dry cloth.
4. Do not block any ventilation openings. Install in accordance with the manufacturer's instructions.
5. Do not install near any heat sources such as radiators, heaters, stoves, or other devices (including amplifiers) that produce heat.
6. Do not ignore the safety measures of a polarized or grounding-type plug. A polarized plug has two blades with one wider than the other.
7. Pay special attention to the positioning of cords, plugs, and power sockets, especially the point where they exit from the unit.
8. Only use attachments/accessories specified by the manufacturer.
9. Unplug this apparatus during lightning storms or when not in use.
10. Refer all servicing to qualified service personnel. Servicing is required when the apparatus has been damaged in any way, for example, when the power-supply cord or plug is damaged, liquid has been spilled or objects have fallen into the apparatus, the apparatus has been exposed to rain or moisture, does not operate normally, or has been dropped.
11. The AC plug is used to disconnect the device; the disconnected device should remain readily operable. To disconnect the device from the AC power completely, the AC plug must be removed from the AC outlet completely.

UNPACKING AND SET UP

- Remove the soundbar from the carton and remove all packing material from the soundbar. Save the packing material, if possible, in case the soundbar ever needs to be serviced or transported. The original carton and packing material are the only safe way to pack your soundbar to protect it from damage in transit.
- Remove any descriptive labels or stickers on the front or top of the cabinet. Do not remove any labels or stickers from the back or bottom of the cabinet.
- Place your soundbar on a level surface such as a table, desk, or shelf, convenient to an AC outlet, out of direct sunlight, and away from sources of excess heat, dirt, dust, moisture, humidity, or vibration.
- Unwind the line cord connecting the AC adapter and extend it to its full length.

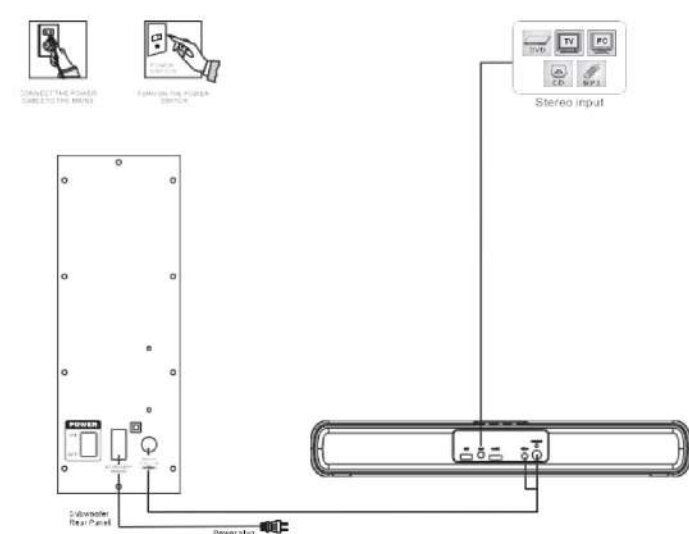
INSTALLATION - FREE STANDING

This soundbar can sit free-standing on a surface.



- Place the soundbar horizontally on a flat surface such as a TV unit or shelf and align it centrally with the TV screen.
- Allow some space between the soundbar and the wall.
- Don't place it inside a cabinet or a walled shelf. Follow this guidance for the best sound output and good airflow around the soundbar.

BACK PANEL CONNECTION



FRONT LED DISPLAY

- Red: Stand By Mode
- Blue: BT Mode (Blue Light Will blink that is shows BT is Unpaired, When paired with any device it will stable)
- Pink: HDMI Arc Mode
- Green: AUX Mode

Note: When we give any volume, Bass & Treble command of increasing and decreasing then LED will blink, if it is complete increase either decreased it will stop to blinks.

CONTROLS AND CONNECTIONS

Get to know your soundbar:

Buttons on the Soundbar:

Power Button		Switch the soundbar on/off
Previous Track/ Volume (-) Button		Long press for the previous track or decrease the volume in steps
Play/Pause & Mode Switch Button		Play or pause audio/ Switch the connectivity mode
Next Track/ Volume (+) Button		Long press for the next track or increase the volume in steps

Ports on the Soundbar:

USB Port		Connect the USB flash drive to this port on the soundbar
AUX		Auxiliary Audio input from Mp3/Phone/set-top box devices.
H-ARC		Connect to HDMI (ARC)
DC IN		Connect to power supply
BASS OUT		Connect to the wired subwoofer

BLUETOOTH PAIRING

Connect the Soundbar to your Bluetooth device (such as an iPad, iPhone, iPod touch, Android phone, or laptop), and then you can listen to the audio files stored on the device through your Soundbar speakers.

1. Turn on the soundbar and long press play/pause button on the unit to switch to BT mode or the INPUT button on the remote control to switch the soundbar to Bluetooth mode. The front display LED continuously blinks blue till the device is paired.
2. Switch on the Bluetooth on the media device, search for and select "Aavante Bar A1040" on your Bluetooth list to pair. If prompted for a password, please use "0000".
3. Wait until you hear a sound prompt from the soundbar. Once paired with the media device, the display LED turns solid blue.

Note:

- If your pairing device is switched off or manually disconnected, the soundbar will automatically enter pairing mode.
- The connection to the device will be re-established once you re-enter wireless range (8-10 m).
- To connect to other devices, repeat the above pairing steps.
- There is no automatic shutdown in pairing mode. The soundbar will remain in pairing mode even if no device is paired, so switch off if not in use.

PLAYING via USB PORT:

The soundbar automatically switches to USB input mode when a USB flash drive is inserted.

1. When a USB flash drive is inserted and soundbar is powered on, press the INPUT button on remote control or long press the play/pause button on soundbar to switch to USB input mode (in case it doesn't change automatically), and music in the USB will be automatically played.
2. This mode isn't selectable on the soundbar or remote control unless a USB flash drive is connected.
3. Ensure that your USB flash drive contains MP3 audio files (other file types are not supported).

4. Connect the USB flash drive to the USB port on the soundbar or by USB adapter (or your own USB extension cable connected to the USB port), and the music will be played automatically.
5. Press the VOL +/- buttons to adjust the volume to your desired level.

PLAYING via AUX MODE:

1. Firstly connect the soundbar to your PC, laptop, smart-phone, TV, or other audio devices by using an AUX cable. Use a 3.5mm to 3.5mm audio cable to connect the PC, tablet, smartphone, TV's headphone socket to the AUX socket on the soundbar. Make sure that these devices have both AUX IN and AUX OUT terminals.
2. Then press the INPUT button on the remote control or long press the play/pause button on the soundbar to switch the soundbar to AUX mode. Once the soundbar is connected in AUX mode, the front display LED turns green and the music on your connected device will play. Playback can only be controlled from your connected device.

Note: For some computers, you may need to access the audio control panel to

PLAYING via HDMI TV (ARC) MODE: Connect to HDMI TV (ARC) Socket

Some 4K HDR TVs require the HDMI input or picture settings to be set for HDR content reception. For further setup details on HDR display, please refer to the instruction manual of your TV.

1. The soundbar supports HDMI (ARC) with audio return channel (ARC). You can hear the TV audio through your soundbar by using a single HDMI (ARC) cable only if your TV is ARC compliant.
2. Using a high-speed HDMI (ARC) cable, connect the HDMI (ARC) connector on the soundbar to the HDMI (ARC) connector on the TV. The HDMI (ARC) connector on the TV might be labelled differently. For details, see the user manual of your TV.
3. When HDMI (ARC) is connected, TV sound setting in "sound output" mode should be set as <external or Auto mode>. In addition, digital audio output mode should be set as <automatic>. When the HDMI (ARC) cable is connected, the TV digital audio output is set as Auto mode. Then start playing music on the TV.
4. Press the INPUT button on the remote control or long press the play/pause button on the soundbar to select HDMI (ARC) mode.

5. Use the volume buttons to adjust the volume to your requirements.
6. You can also change the audio settings by using the relevant buttons on the remote control.

Note:

1. When connecting a device such as a TV/Set-top box/DVD/ game console with HDMI (ARC) cable, set the audio output mode of the device to Auto mode <digital HDMI (ARC) output>.
2. The TV is connected to a HDMI (ARC) port with soundbar. Different TVs might have different setup menus, but the steps remain the same.
3. If you need to connect set-top box, please first connect the HDMI (ARC) connector and pair to the soundbar. Then connect the set-top box.

SPECIFICATIONS:

Model Name	boAt Aavante Bar A1040
Bluetooth Version:	v5.3
Net Weight:	3.2 kg
Working Range:	Up to 10 m
Driver Size:	2 inch*2 + 5 inches Subwoofer
Working Voltage	15V/3A
Frequency:	35Hz - 20KHz
Output Power:	50 W RMS
Compatibility	USB/ BT v5.3 /AUX/HDMI (ARC)

