

## **AAVANTE BAR 3600**

5.1 CHANNEL 500W RMS

(with Subwoofer and Wired Rear Speaker)

# USER MANUAL

Thank you for choosing the boAt Aavante Bar 3600 as the audio source for your home. Discover a new level of immersive, cinematic audio experience at home with the boat Aavante Bar 3600. With a powerful 500W RMS total output, this sound bar brings every aspect of your entertainment be it a song, show or movie to life. The 5.1 channel sound system provides a balanced sound for your movies, music and even video games and you can experience cinematic sound that revolves around you. Stay plugged into the sound with an array of wired connections, USB and Bluetooth® v5.3 wireless technology. Bring your home to life with the boAt Aavante Bar 3600. Allow this User Manual to guide through the smooth sailing of your audio bar.

## COMPONENTS LIST

- Soundbar
- Wired Subwoofer
- AAA Battery
- Warranty Card
- Product Catalogue
- Rear Speakers (2x)
- Remote Control
- User Manual
- AUX Cable
- Wall-Mount Kit

# SAFETY & WARNINGS

## Caution

To reduce the risk of electric shock, do not dismantle the product and do not expose the apparatus to rain or moisture, The unit has no user-serviceable parts inside. Refer servicing to qualified personnel only

The lightning flash within an equilateral triangle is intended to alert you to the presence of uninsulated dangerous voltage within the product's enclosure that may be of sufficient magnitude to constitute an electric shock to a person or persons.

Important! This symbol alerts you to read and observe important warnings and instructions on the unit or in this manual.

Notice:

This appliance is not intended for use by persons (including children) with reduced physical sensory or mental capabilities, or lack of experience and knowledge, unless they have been given supervision or instruction concerning use of the appliance by a person responsible for their safety.

Children should be supervised to ensure that they do not play with the appliance.

1. To prevent possible hearing damage, do not listen at high volume levels for long periods of time or a sudden high volume level.
2. Never use the device unsupervised! Switch off the device whenever you are not using it, even if not using it only for a short while.
3. The appliance is not intended to be operated by means of an external timer or separate remote controller system.
4. If the power supply cord is damaged, it must be replaced by the manufacturer, its service agent or similarly qualified persons in order to avoid a hazard.
5. Before operating this system, check the voltage of this system to see if it is identical to the voltage of your local power supply.
6. The unit shouldn't be impeded by covering the ventilation opening with items such as newspaper, table-cloths, curtains etc. Make sure that there are at least 20 cm of space above & at least 5 cm of space on each side of the unit.
7. The apparatus must not be exposed to dripping or splashing. Don't place objects filled with liquids such as vases, bottles or humidifiers on the unit.
8. To prevent fire or shock hazard, don't expose this equipment to direct heat, rain, moisture or dust.
9. Do not place this unit near any water sources e.g. taps, bathtubs, washing machines or swimming pools, Ensure that you place the unit on a dry, stable surface.
10. Do not place this unit close to a strong magnetic field.
11. Do not place the unit on an amplifier or a receiver.
12. Do not place this unit in a damp area as the moisture will affect the life of electric components.
13. Do not attempt to clean the unit with chemical solvents as this might damage the finish. Wipe with a clean, dry or slightly damp cloth.

14. When removing the power plug from the wall outlet, always pull directly on the plug, never pull on the cord.

15. Depending on the electromagnetic waves used by a television broadcast, if a TV is turned on near this unit while it is also on, lines might appear on the LED TV. Neither this unit nor the TY is malfunctioning. If you see such lines, keep this unit well away from the TV set.

16. The mains plug is used to disconnect the device, the disconnected device should remain readily operable.

## IMPORTANT SAFETY INSTRUCTIONS

1. Read these instructions. Keep these instructions. Follow all instructions. Heed all warnings.

2. Do not use this apparatus near water.

3. Clean only with a dry cloth.

4. Do not block any ventilation openings. Install in accordance with the manufacturer's instructions.

5. Do not install near any heat sources such as radiators, heaters, stoves, or other devices (including amplifiers) that produce heat.

6. Do not ignore the safety measures of a polarized or grounding-type plug. A polarized plug has two blades with one wider than the other.

7. Protect the power cord from being walked on or pinched. Pay special attention to the positioning of cords, plugs, power sockets especially the point where they exit from the unit.

8. Only use attachments/accessories specified by the manufacturer.

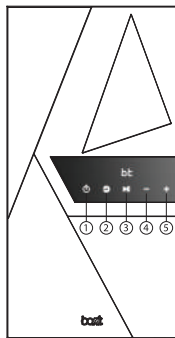
9. Unplug this apparatus during lightning storms or when not in use.

10. Refer all servicing to qualified service personnel. Servicing is required when the apparatus has been damaged in any way, for example, when the power-supply cord or plug is damaged, liquid has been spilled or objects have fallen into the apparatus, the apparatus has been exposed to rain or moisture, does not operate normally, or has been dropped.

11. The AC plug is used to disconnect the device, the disconnected device should remain readily operable in order to disconnect the apparatus from the AC power completely, the AC plug must be removed from the AC outlet completely.

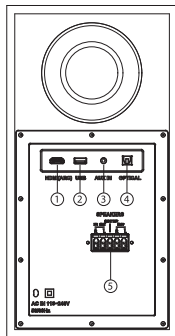
## SOUNDBAR CONTROL PANEL & PORTS:

1. Power Touch Button: Short press for standby ON/OFF.
2. Mode Touch Button: Short press in steps to choose among Bluetooth, HDMI(ARC), Optical, USB and AUX modes.
3. Play/Pause Touch Button: In Bluetooth mode, short press to play/pause whereas long press to disconnect and clear Bluetooth memory. In USB mode, short press to play/pause. In AUX mode, short press to mute/unmute.
4. (-) Touch Button: Short press to return to previous track; long press to decrease volume
5. (+) Touch Button: Short press to skip to next track; long press to increase the volume.



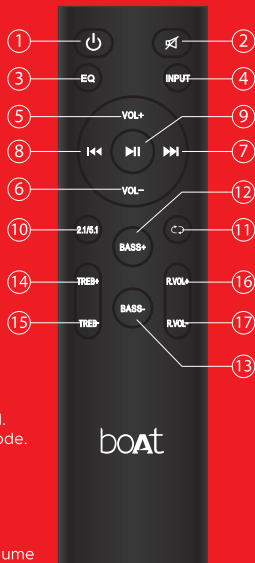
## SOUNDBAR (REAR)

1. HDMI(ARC) INPUT
2. USB.
3. AUX IN
4. OPTICAL INPUT
5. SPEAKER OUTPUT  
(FRONT; CENTER; SURROUND)



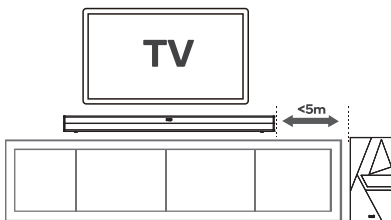
# REMOTE CONTROL

1. Power Button: Standby mode for Power ON/OFF.
2. Mute: Short press to Mute
3. EQ Mode: Short press the button to select among POP, ROCK, JAZZ, CLASSICAL or COUNTRY EQ modes.
4. INPUT: Short press to switch among input modes: BT; Optical; HDMI(ARC); USB and AUX
5. Volume+: Short press to increase the volume.
6. Volume-: Short press to decrease the volume
7. Next Button: In Bluetooth mode, short press for next song; in USB mode short press for next song and long press for fast forward.
8. Previous Button: In Bluetooth mode short for previous song; in USB mode short press for previous song and long press for fast forward.
9. Reset/Play-Pause Button: In Bluetooth and USB mode short press to play/pause; in AUX mode, short press to mute/unmute; long press the button to reset the soundbar and clear Bluetooth memory.
10. "2.1/5.1" : Switch through 2.1 or 5.1 channels of sound.
11. "C": Short press for repeat mode in USB playback mode.
12. BASS+: Short press to increase bass
13. BASS-: Short press to decrease bass
14. TREB+: Increase front and Center speaker treble
15. TREB-: Decrease front and center speaker treble
16. "R.VOL+" : Increase the Surround treble volume
17. "R.VOL-" : Decrease the Surround speaker treble volume



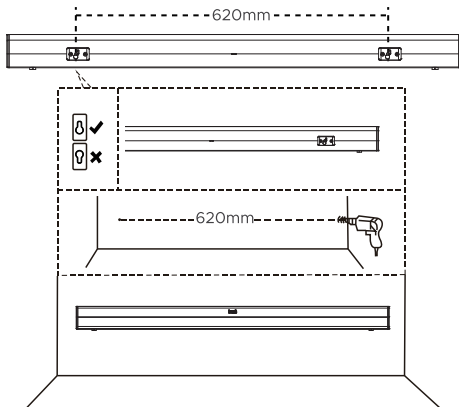
## PLACING THE SOUNDBAR ON AN ENTERTAINMENT UNIT

If your TV is placed on an entertainment unit, you can place the soundbar directly in front of the TV stand, centred with the TV screen. If the surface of the table is flat, the soundbar stays firm on its metal feet.



## WALL MOUNTING THE SOUNDBAR

Measure 24,41 inches (620mm) and drill 2 parallel holes (1/4 inch each) in the wall



1. Mark and drill two parallel holes, 620mm apart on the wall. Secure the supplied anchors and screws into the holes. Ensure the screws are protruding 5mm from the wall.

Note: Anchors are only required when mounting onto a solid wall.

Anchor

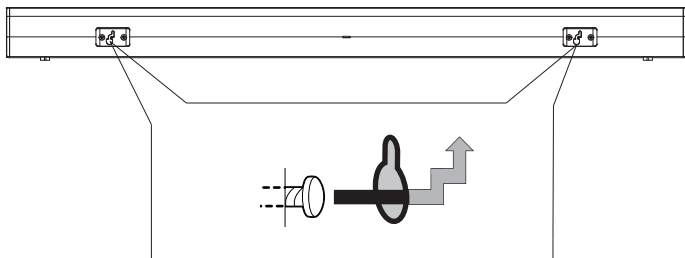


Solid wall (i.e., solid brick, solid concrete, solid wood)



Drywall, plastered wall etc.

2. Attach the soundbar to the screws on the wall and push the soundbar to the right 1/8inch each to lock in.





## USING THE SOUNDBAR

Plug in the power cable of the soundbar to an external power socket; the unit goes into standby mode.

Short press the Power Button on the remote or soundbar control panel to turn on the soundbar.

### AUX

Use the provided 3.5mm AUX cable to connect external audio sources to the soundbar. Press the mode touch button on the remote control to select AUX mode.

### HDMI(ARC)

Use an HDMI cable to connect the soundbar to your HDMI(ARC) enabled device. Press the mode touch button on the remote control to select HDMI(ARC) mode.

### OPTICAL

Use an Optical cable to connect the soundbar to your Optical device. Press the mode touch button on the remote control to select OPT mode.

### USB

Insert your USB drive into the USB port on the soundbar. The soundbar goes automatically under USB mode. You can also press the mode touch button on the remote control to switch to USB mode.

### Bluetooth

Press the mode touch button on the remote control to enter Bluetooth mode. Turn on the Bluetooth functionality on your media device, search for "Aavante Bar 3600" and select the same to establish pairing.

## AC POWER

Notes:

- Make sure the power supply is correct and never handle the power cord or its plug with wet hands when plugging into or unplugging from an outlet.
- Ensure the main power switch is in OFF state before connecting the power cord to the power supply to avoid damage to the unit.
- A damaged power cord can easily cause an electric shock or fire hazard, never use a power cord after it has gotten damaged.

## TECHNICAL SPECIFICATIONS

Model	boAt AAVANTE BAR 3600
Technology	Optical; HDMI(ARC); Bluetooth v5.3; AUX; USB
Drivers	6.5"*1 SW + 2.25"*6 SB + 5890*2 Surround
Output Power	500W R.M.S
Frequency Response	40Hz-20KHz
Signal-to-Noise Ratio	≥70dB
Impedance	4Ω*6+8ΩX2+4ΩX1
BT Transmission Range	Up to 10m
Bluetooth	V5.3
Dimensions	Soundbar: L902.5*W93.6*H69.7mm Subwoofer: L313*W190*H372mm Surround:L80*W65.3*H170mm