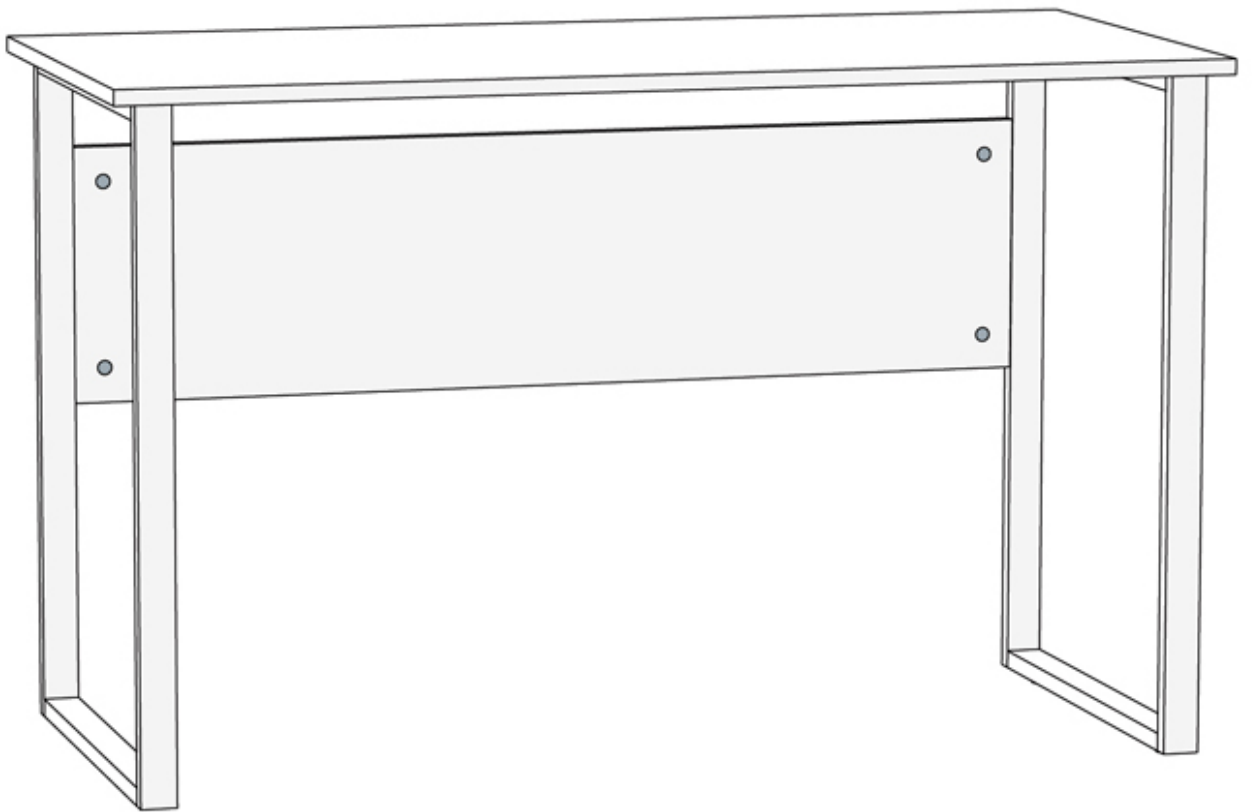


WORK IT

Office Desk



WORK IT

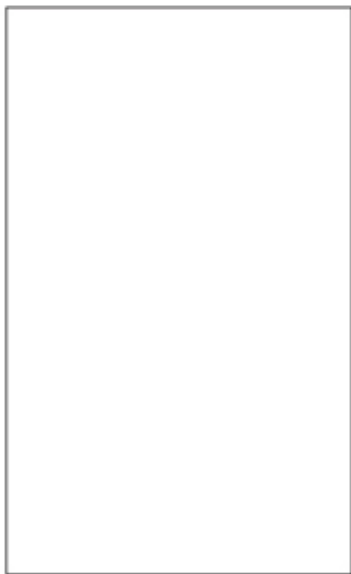
Materials

Top: Laminated MDF/MFC
Legs: Powder coated steel

Care instructions

Wipe down with a wet cloth and a mild soapy solution then wipe dry with a clean cloth.

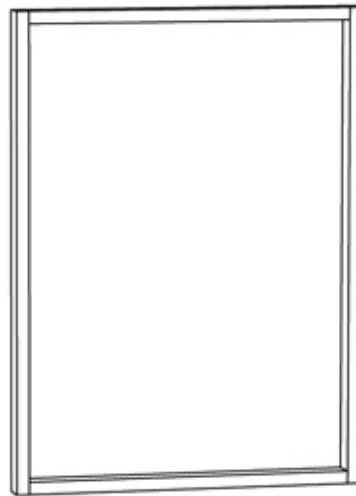
Components



A x 1



B x 1



C x 2

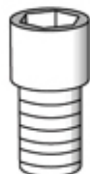


D x 1

Hardware



E x 4



F x 4



G x 10



H x 4



I x 4

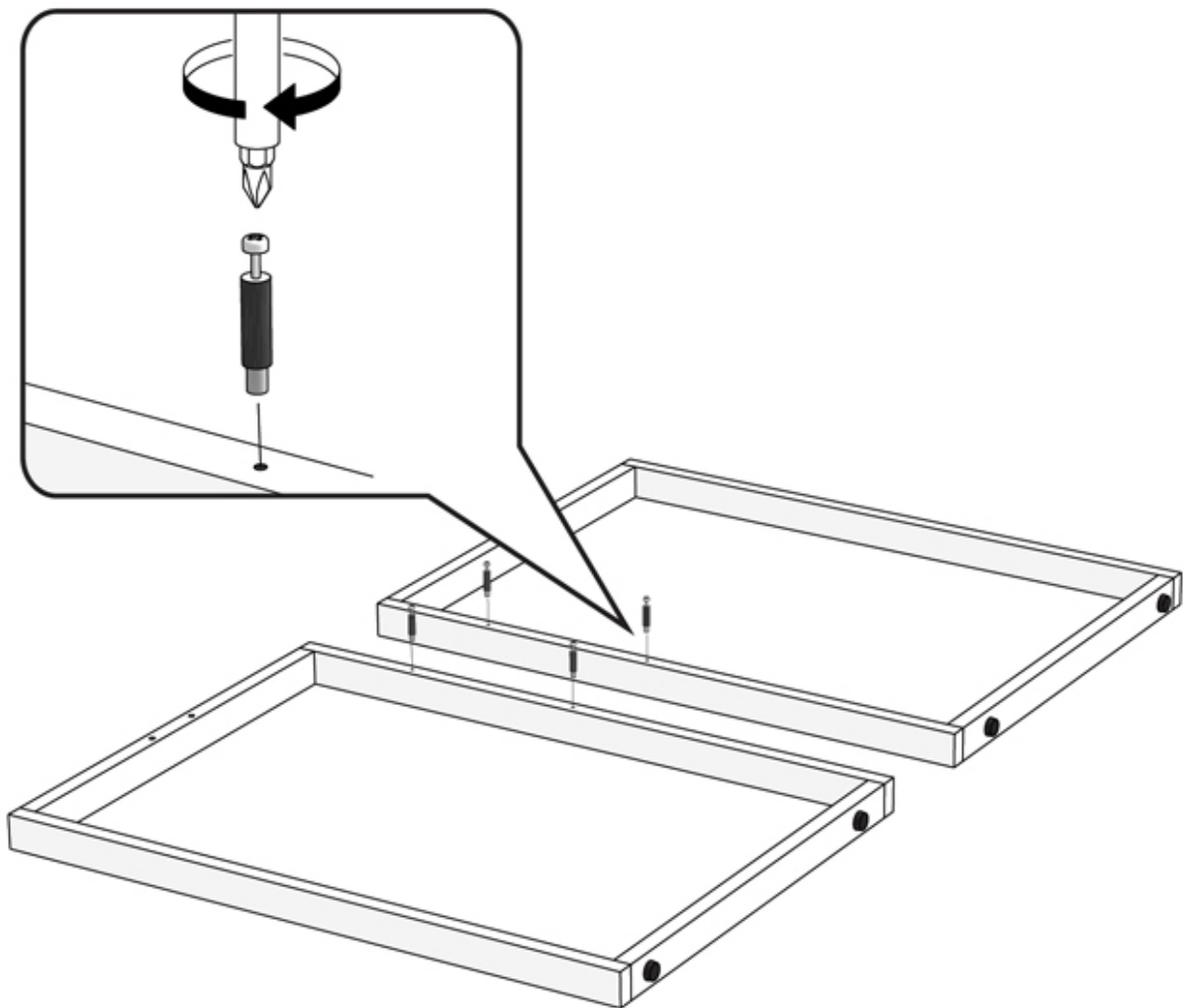


J x 1

STEP 1

Instructions

Place metal frames (C) on a soft surface such a carpet to avoid spoiling the paint. Screw the 4 cam bolts (E) into the holes on the side of the frames using a screwdriver (not provided).

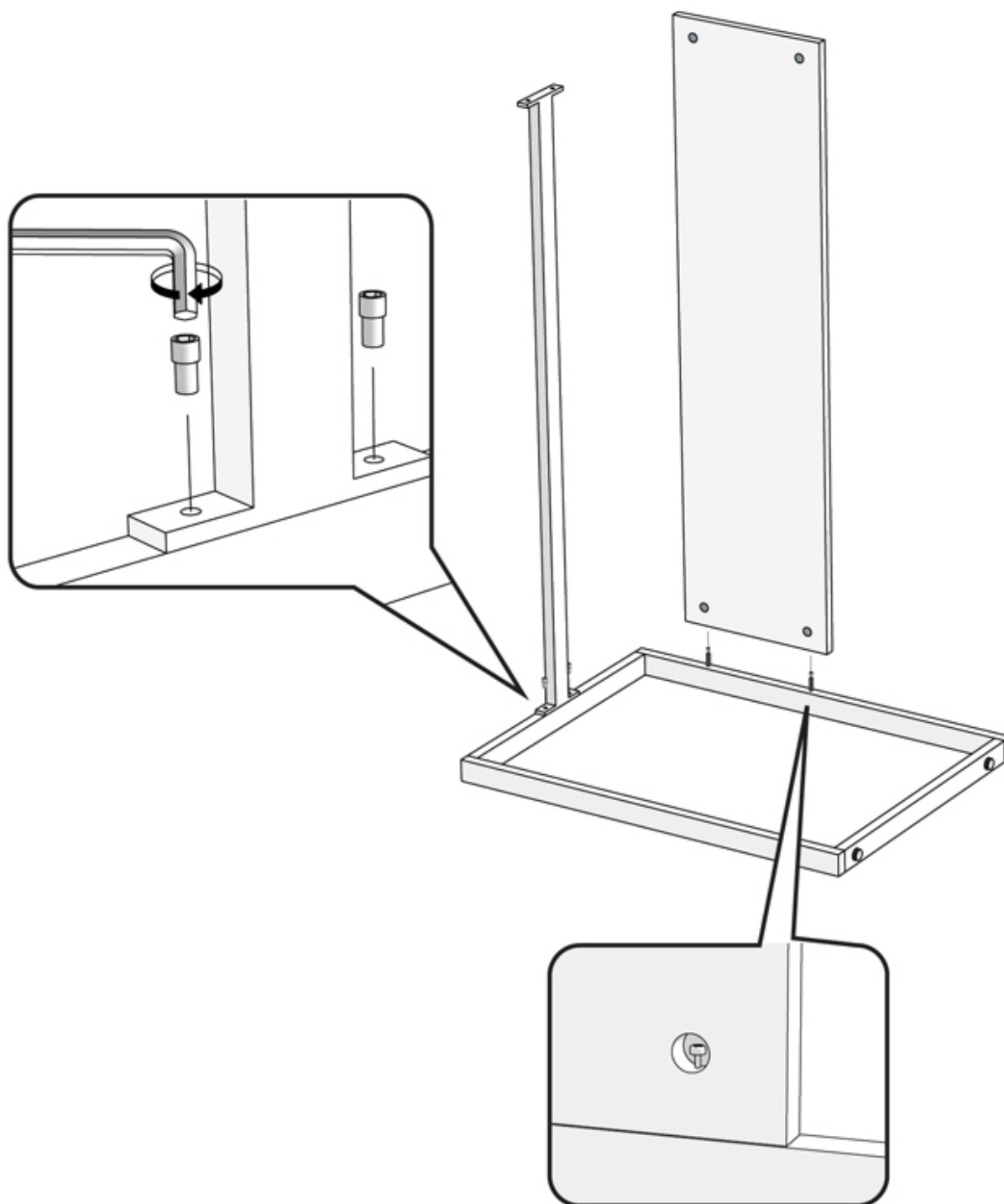


STEP 2

Instructions

Attach the metal support rod (D) to one of the sides with 2 hex bolts (F). Tighten the bolts using the provided hex key (J).

Slide one end of the support panel (B) onto 2 of the cam bolts that were attached in Step 1. Have someone hold both the supports for you while you work.

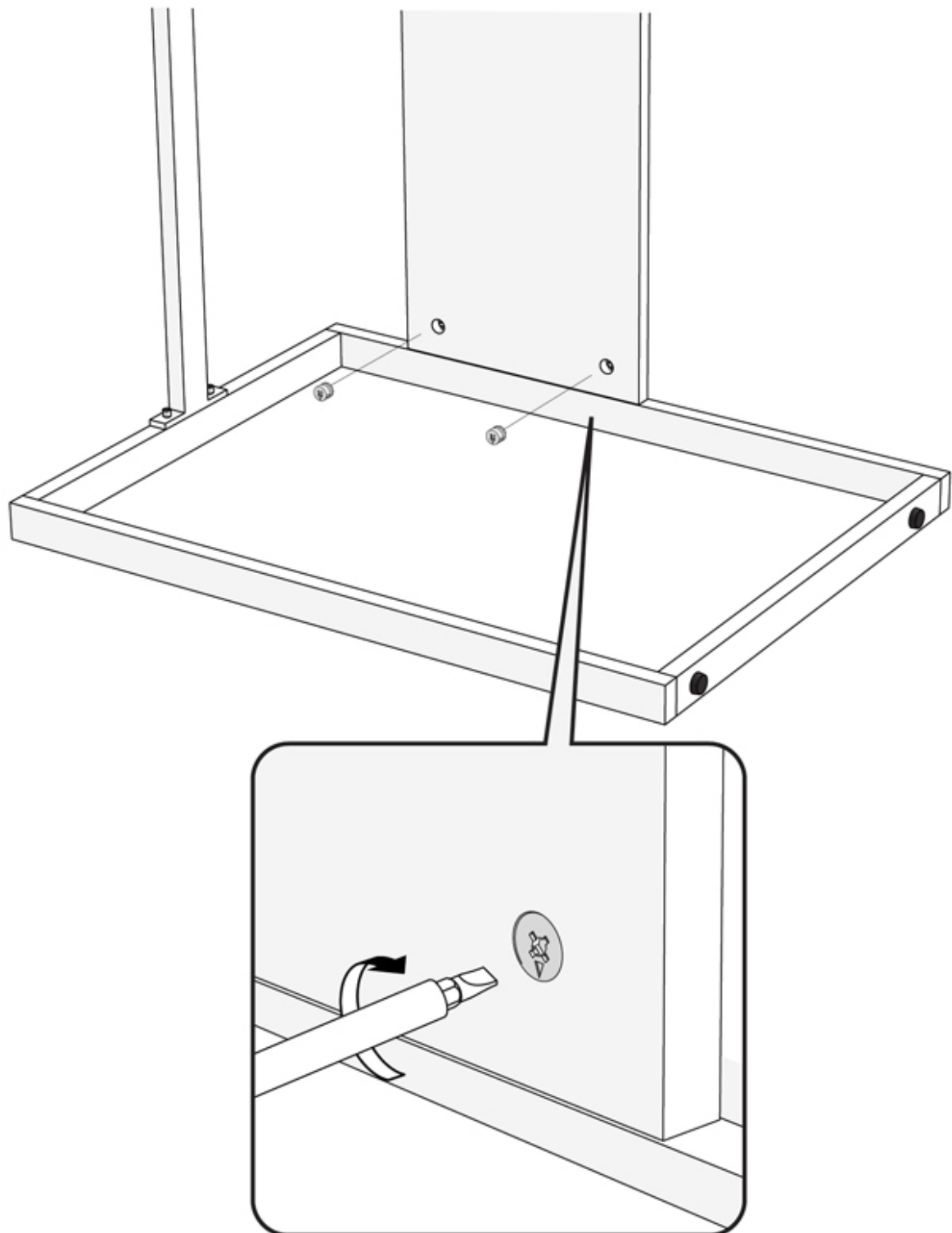


STEP 3

Instructions

Place 2 of the cam locks (H) into the corresponding holes in the support panel, making sure that the arrow on the cam locks is pointing towards the metal frame.

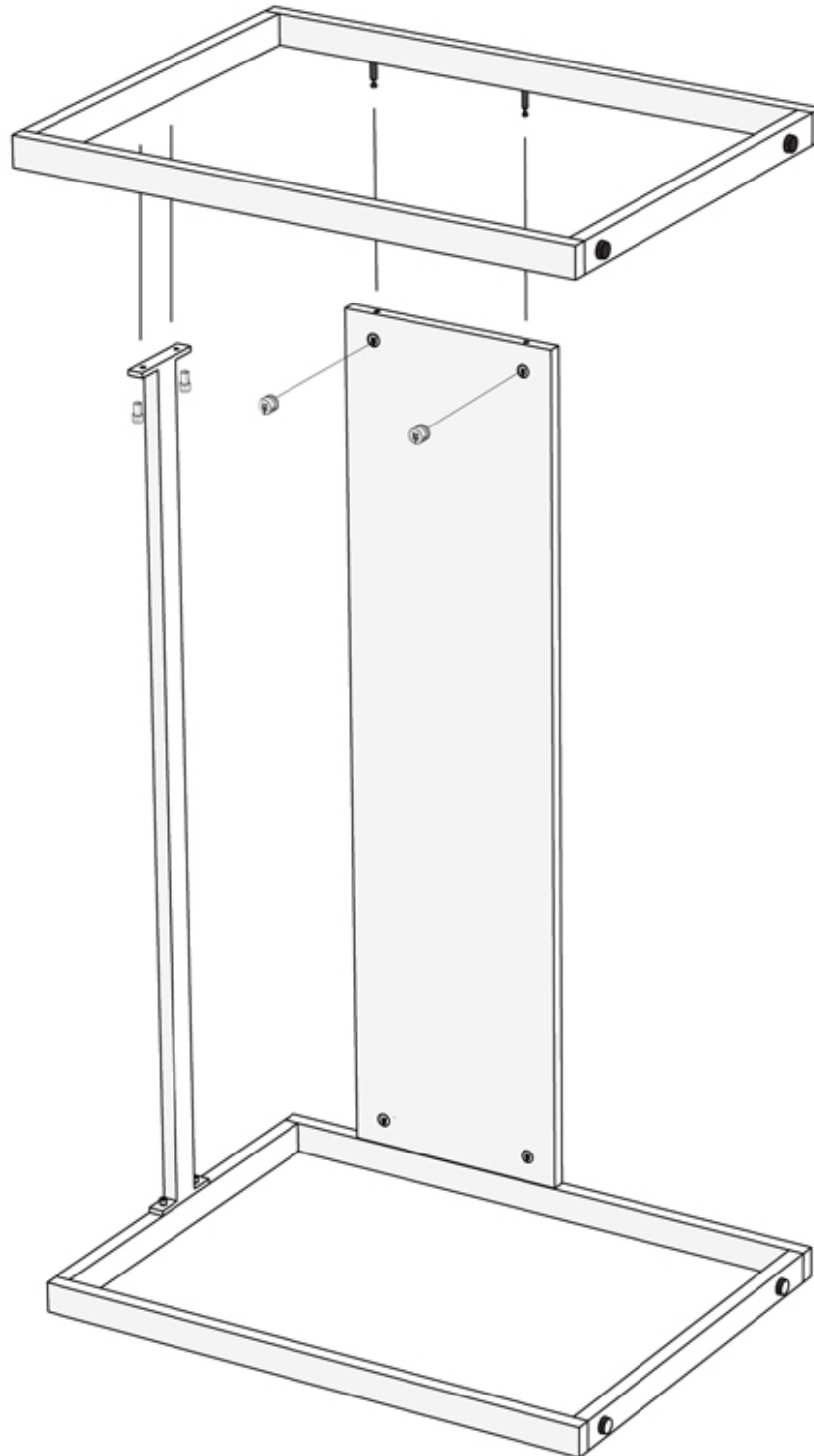
Tighten the cam locks in a clockwise direction with the help of a screwdriver.



STEP 4

Instructions

Using the help of a second person, attach the second metal side to the support rod and panel with the remaining 2 hex bolts and cam locks.

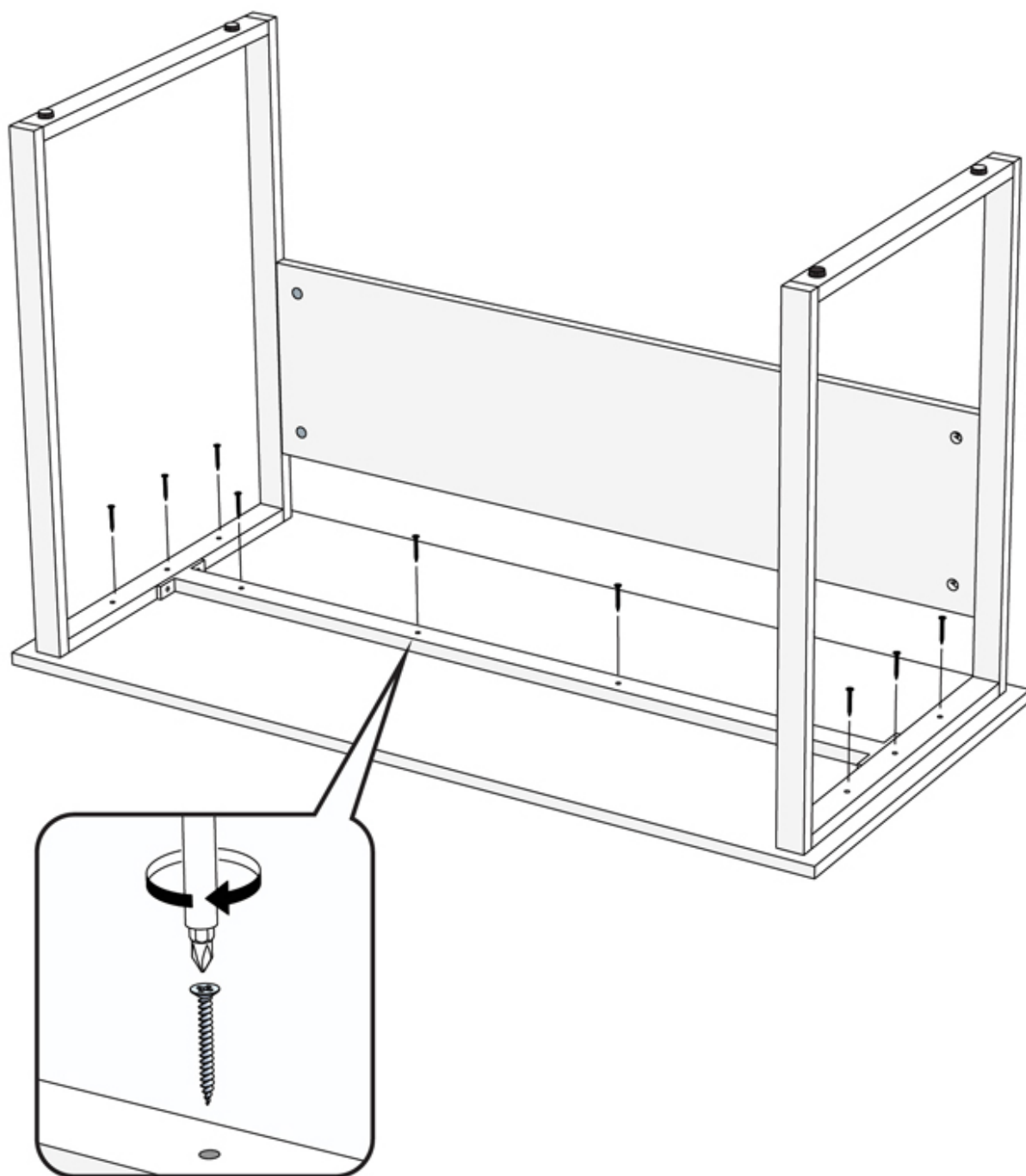


STEP 5

Instructions

Place the top (A) on the carpet with the underside facing up. Place the assembled frame on top, making sure to leave an equal amount of space around the frame.

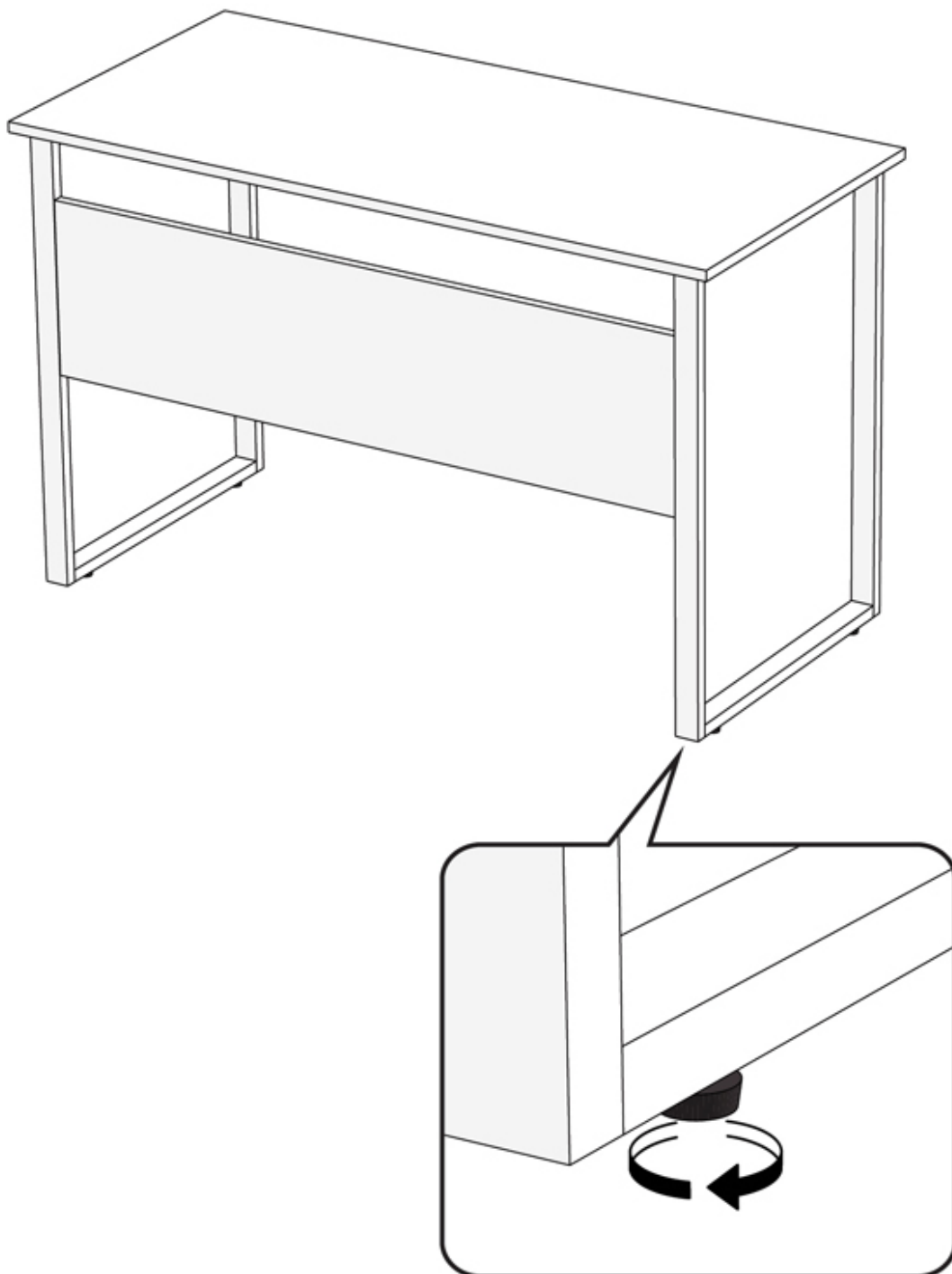
Use a screwdriver to attach the frame to the top with all 10 screws (G). If you find it difficult to tighten the screws, use a hammer to GENTLY tap each screw in place before tightening. DO NOT hammer the screws into place.



STEP 6

Instructions

After placing the table in its final location, adjust the glides (I) underneath the metal frames to balance the table.



7

In case you require help with these instructions, please contact us via phone/Whatsapp on +92-315-4510439 or email us at info@hex.furniture.