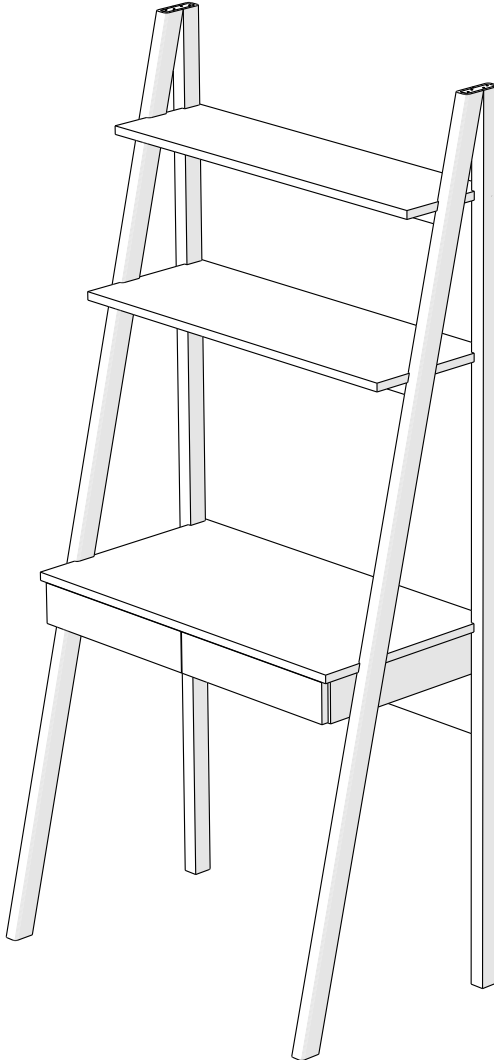


NOOK

Ladder Desk



NOOK

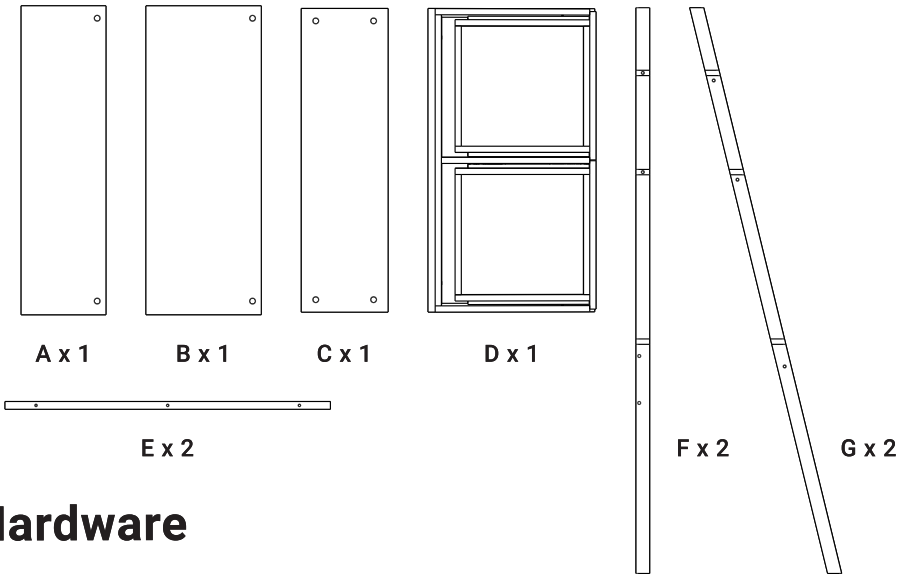
Materials

Top: Laminated MDF/MFC
Legs: Seasoned beech wood

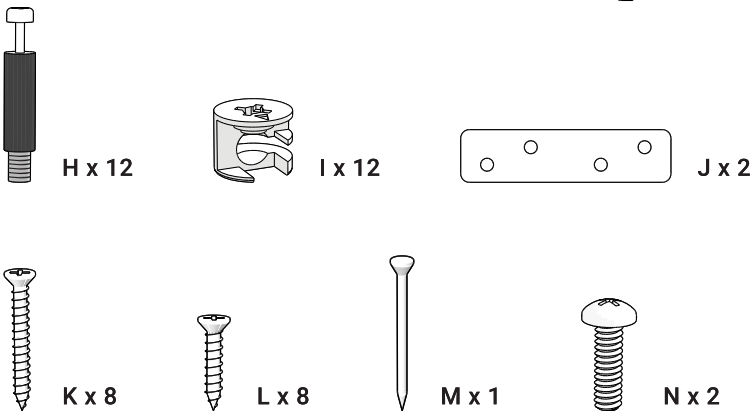
Care instructions

Wipe down with a wet cloth and a mild soapy solution then wipe dry with a clean cloth.

Components



Hardware

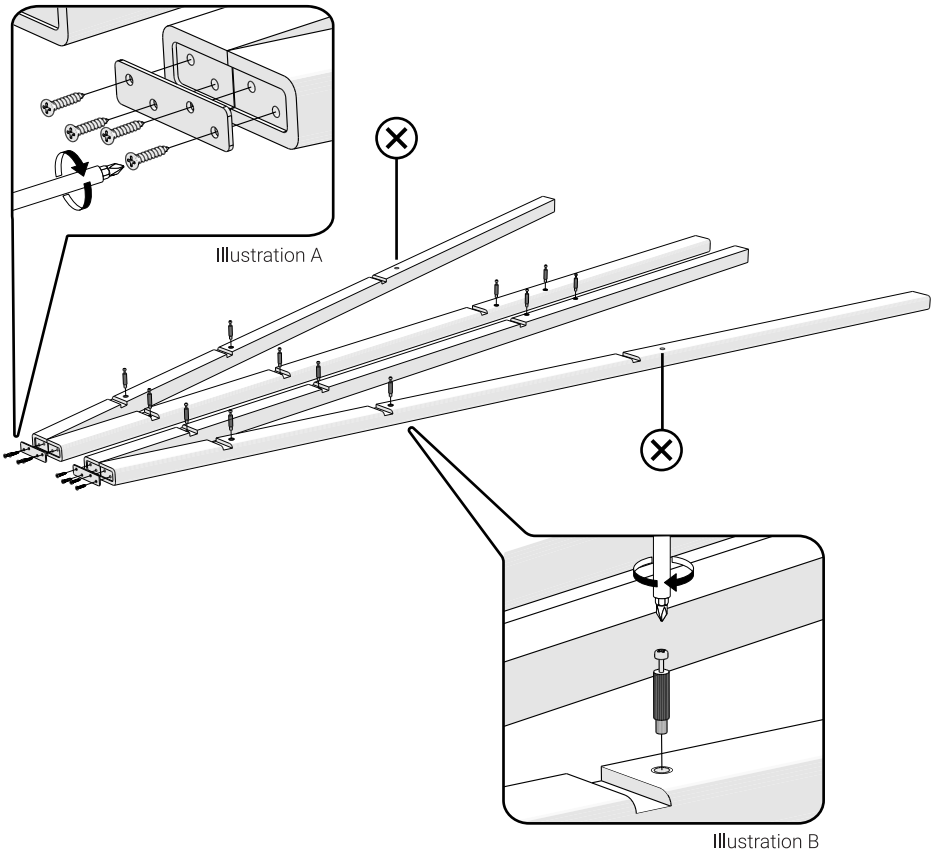


STEP 1

Instructions

Place legs (F and G) on a soft surface such as a carpet to avoid spoiling the finish. Make sure they are laid out according to the drawing below before screwing in the attachment plates (J) with the small screws (L) using a screwdriver (Illustration A).

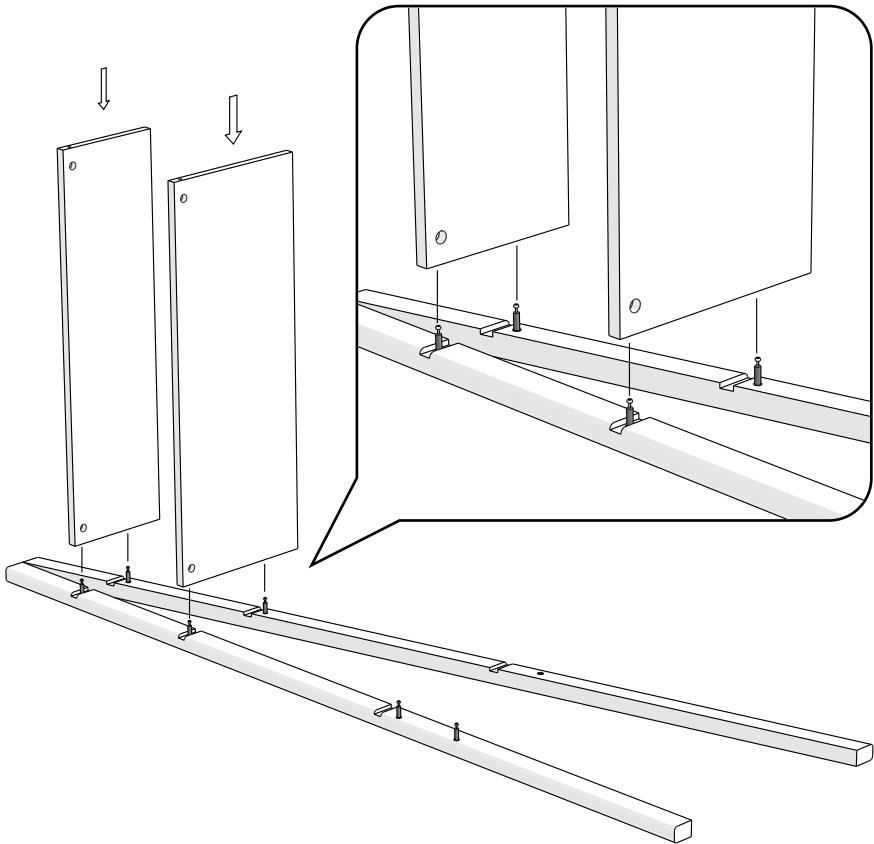
Screw the 12 cam bolts (H) into the plastic threads on the legs, making sure to leave the last plastic thread on both the slanted legs empty. (Illustration B)



STEP 2

Instructions

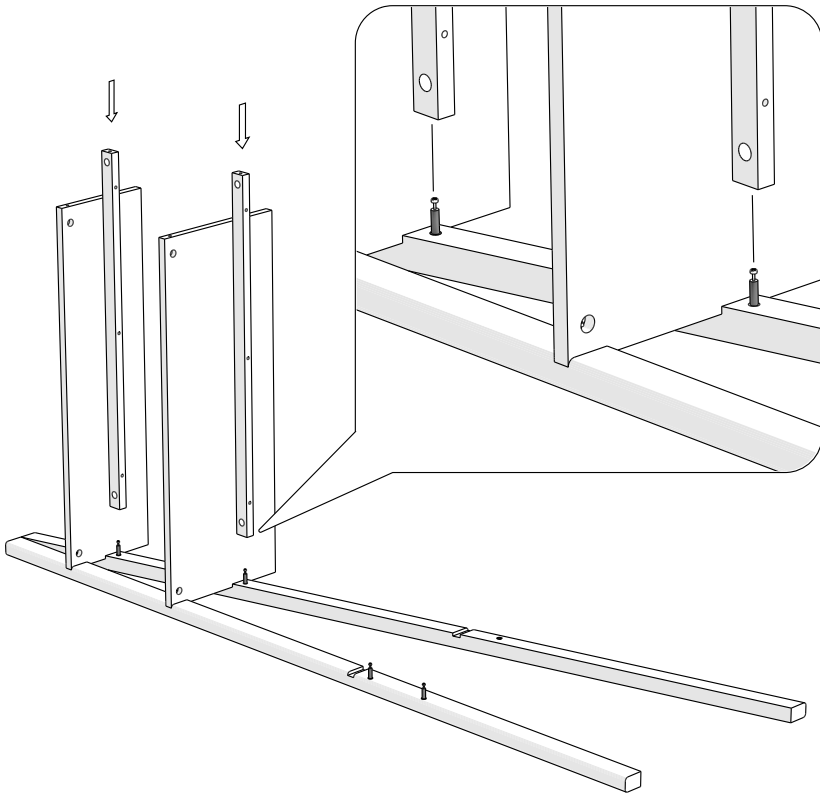
Slide the shelves (A and B) onto the cam bolts that are inside the grooves in the legs. Be sure that the smaller shelf is above and the larger one is below and the round holes on the surface of the shelves are facing down.



STEP 3

Instructions

Slide the shelf supports (E) onto the cam bolts that are attached to the legs under the shelves. Make sure the round holes on the supports are facing towards the back of the desk.

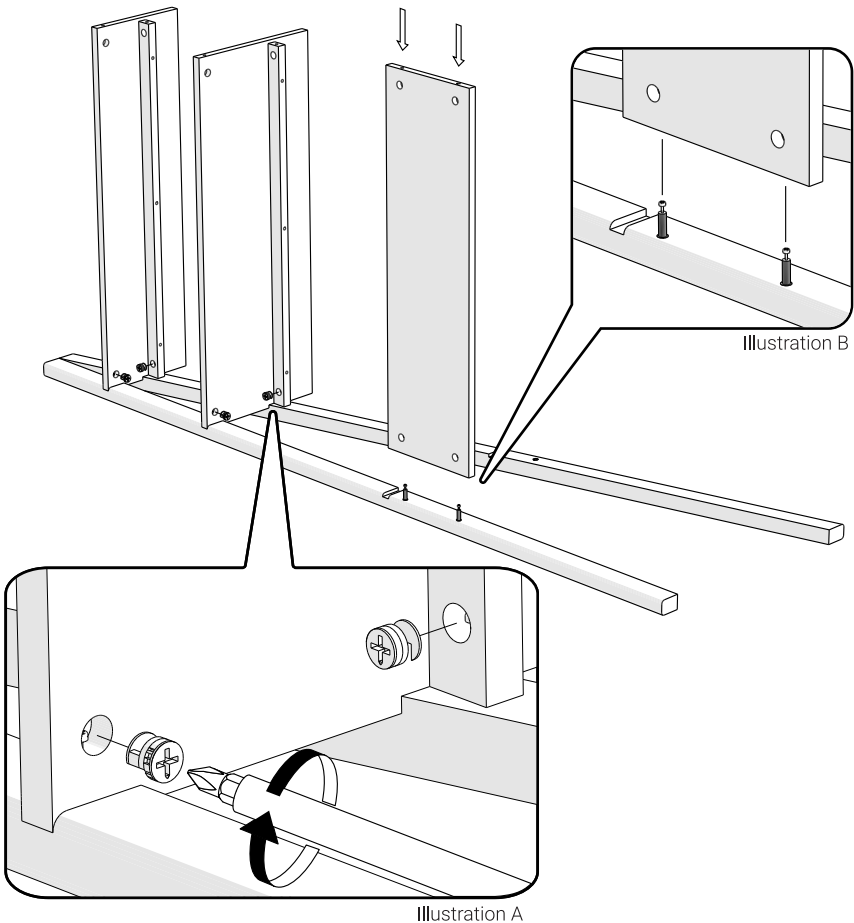


STEP 4

Instructions

Place the cam locks (I) into the corresponding holes in the shelves and shelf supports, making sure the arrow on the cam locks is pointing towards the leg (Illustration A). Tighten the cam locks in a clockwise direction with the help of a screwdriver.

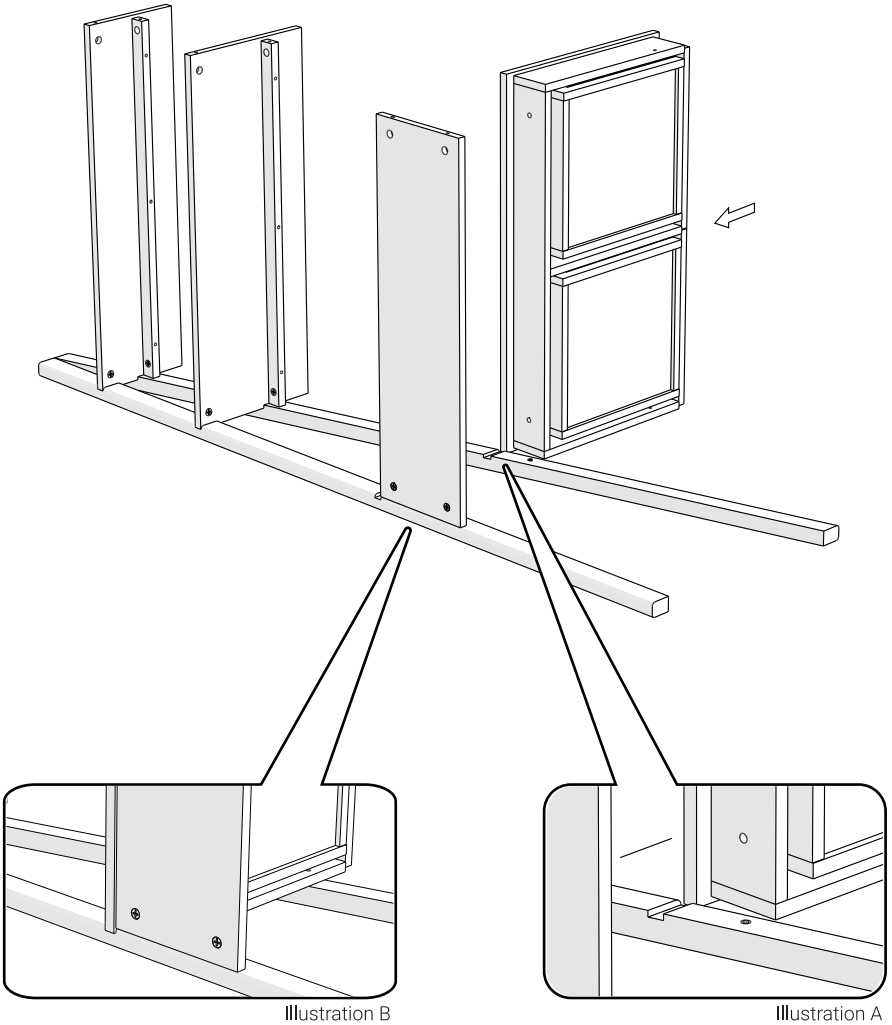
Slide the front support panel (C) onto the last two cam bolts on the back leg, making sure the holes for the cam locks are pointing towards the back of the desk (Illustration B). Place and tighten the cam locks in the same manner as above.



STEP 5

Instructions

Slide the drawer unit into the grooves on the legs (Illustration A). Push it all the way to the back till it is resting against the back support (Illustration B).

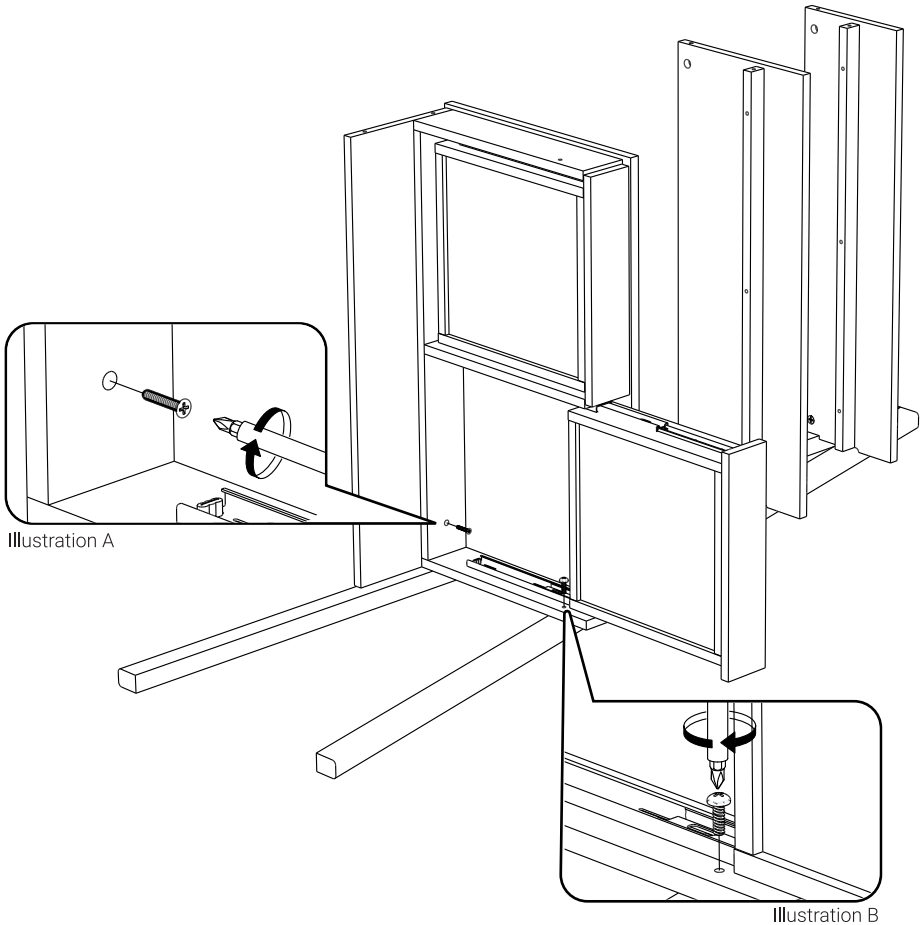


STEP 6

Instructions

Pull out the drawer closest to the leg as far as it will go. Use one of the longer 1.25 inch screws (K) to attach the back support to the back of the drawer unit. Use a hammer to GENTLY tap the screw before screwing it in if you find it hard to tighten it. DO NOT hammer the screw in (Illustration A).

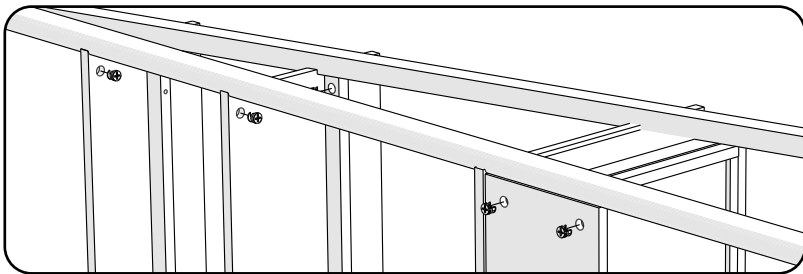
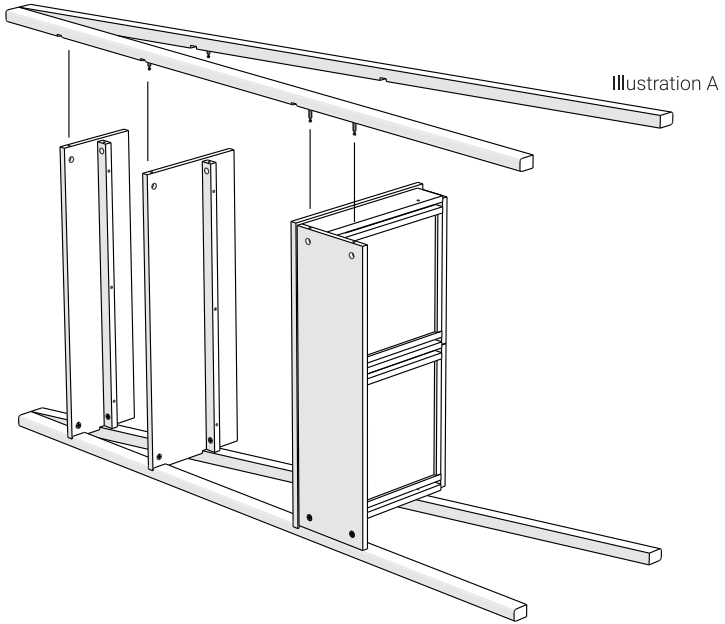
Attach the drawer unit to the leg using one of the bolts (N). Move the leg back and forth in order to line up the hole in the drawer unit with the hole on the leg (Illustration B).



STEP 7

Instructions

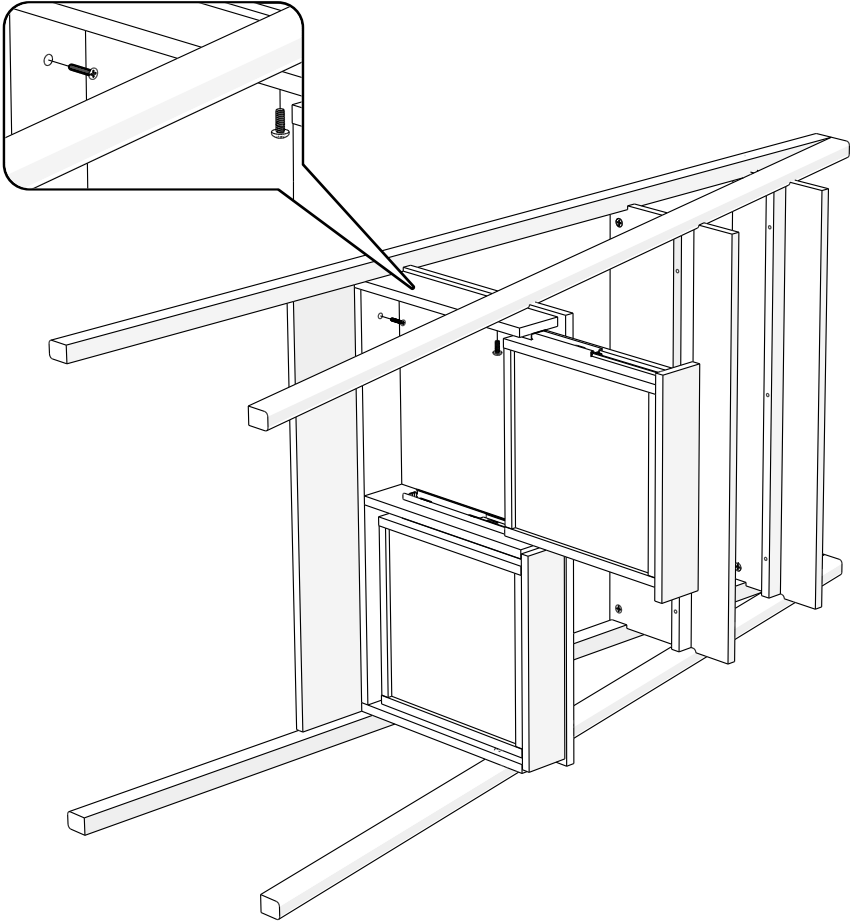
Attach the other set of legs to the table after lining up the holes in the shelves and shelf supports with the cam bolts on the legs (Illustration A). Insert the cam locks and tighten in the same manner as before (Illustration B).



STEP 8

Instructions

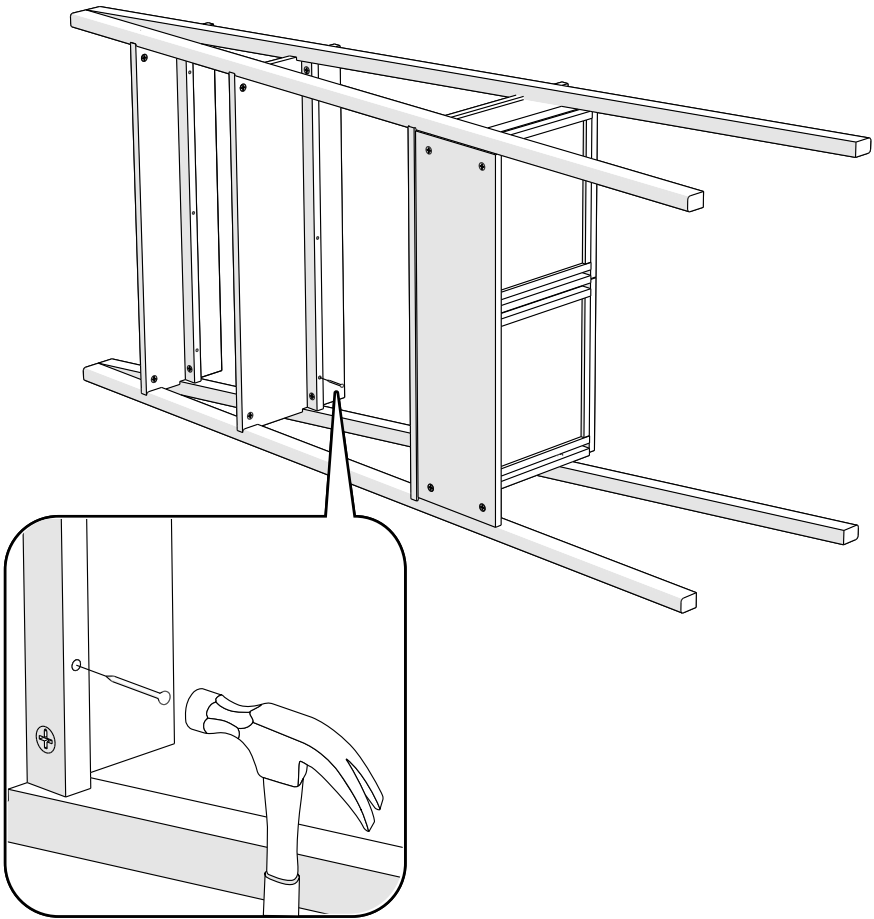
Attach the screw and bolt to the other side of the drawer unit using the instructions from Step 6.



STEP 9

Instructions

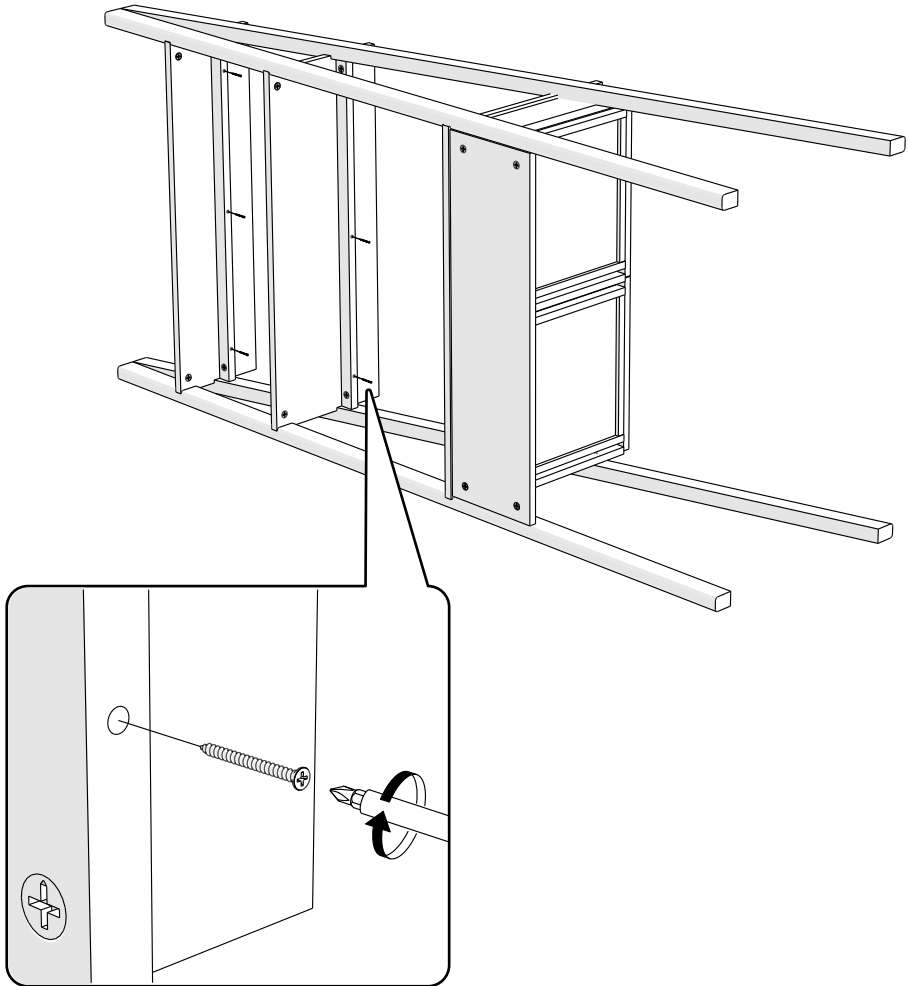
Place the provided nail (M) in each of the screw holes of the shelf supports by turn and gently tap it with a hammer in order to break the skin of the MDF. DO NOT hammer the nail all the way in.



STEP 10

Instructions

Tighten the 1.25 inch screws (K) in each hole to attach the supports to the shelves.



11 In case you require help with these instructions, please contact us via phone/Whatsapp on +92-315-4510439 or email us at info@hex.furniture.