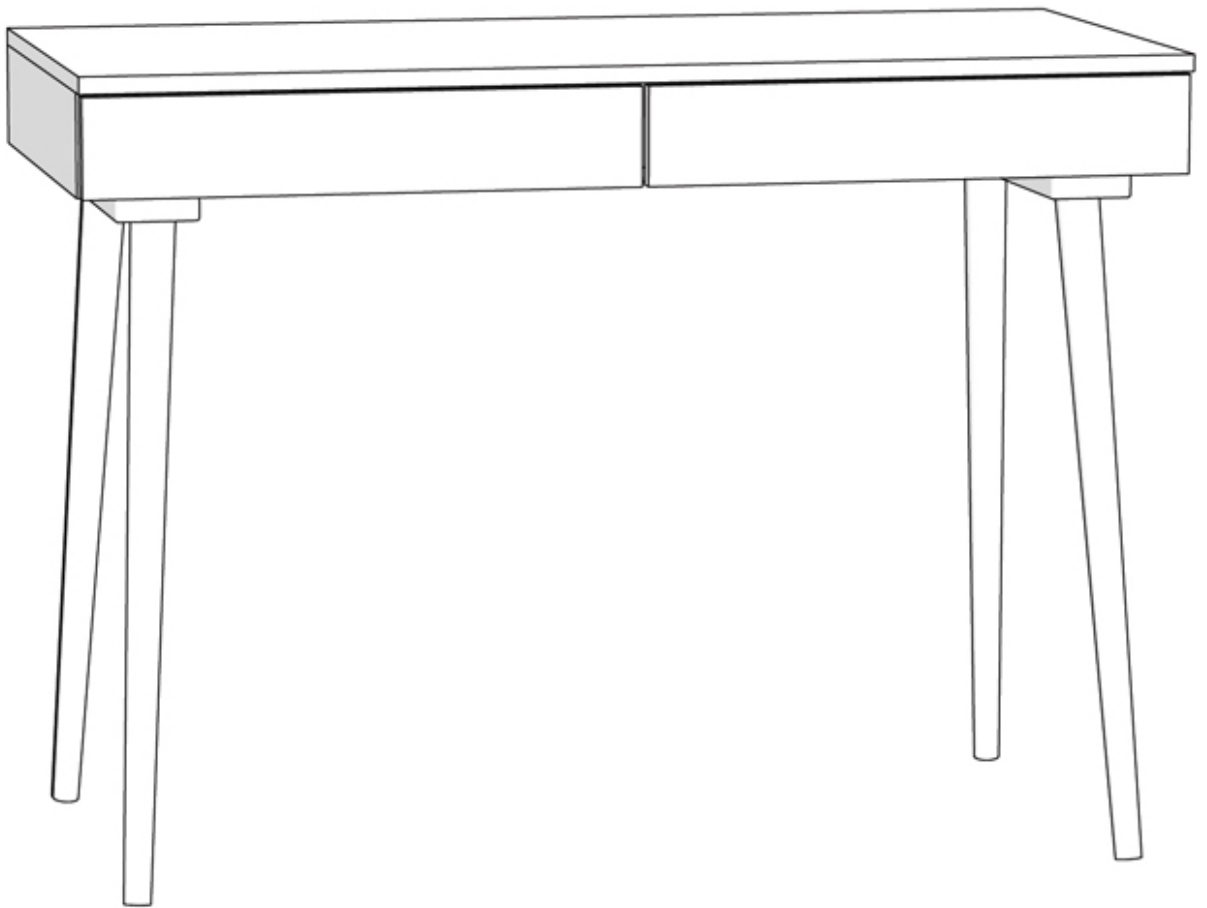


KROSS

Office Desk



KROSS

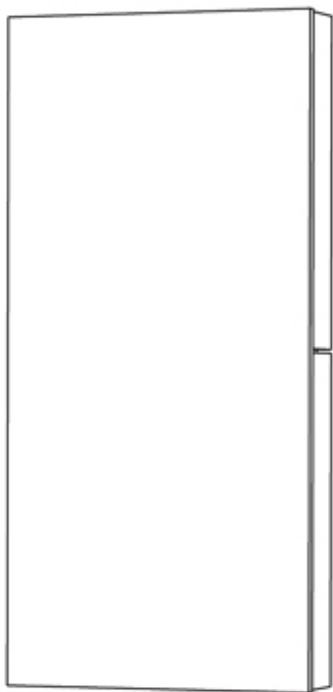
Materials

Top: Laminated MDF/MFC
Legs: Oak/Beech wood

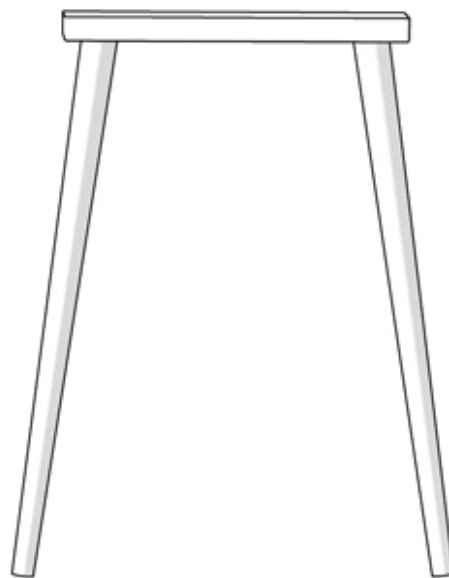
Care instructions

Wipe down with a wet cloth and a mild soapy solution then wipe dry with a clean cloth.

Components



A x 1



B x 2

Hardware

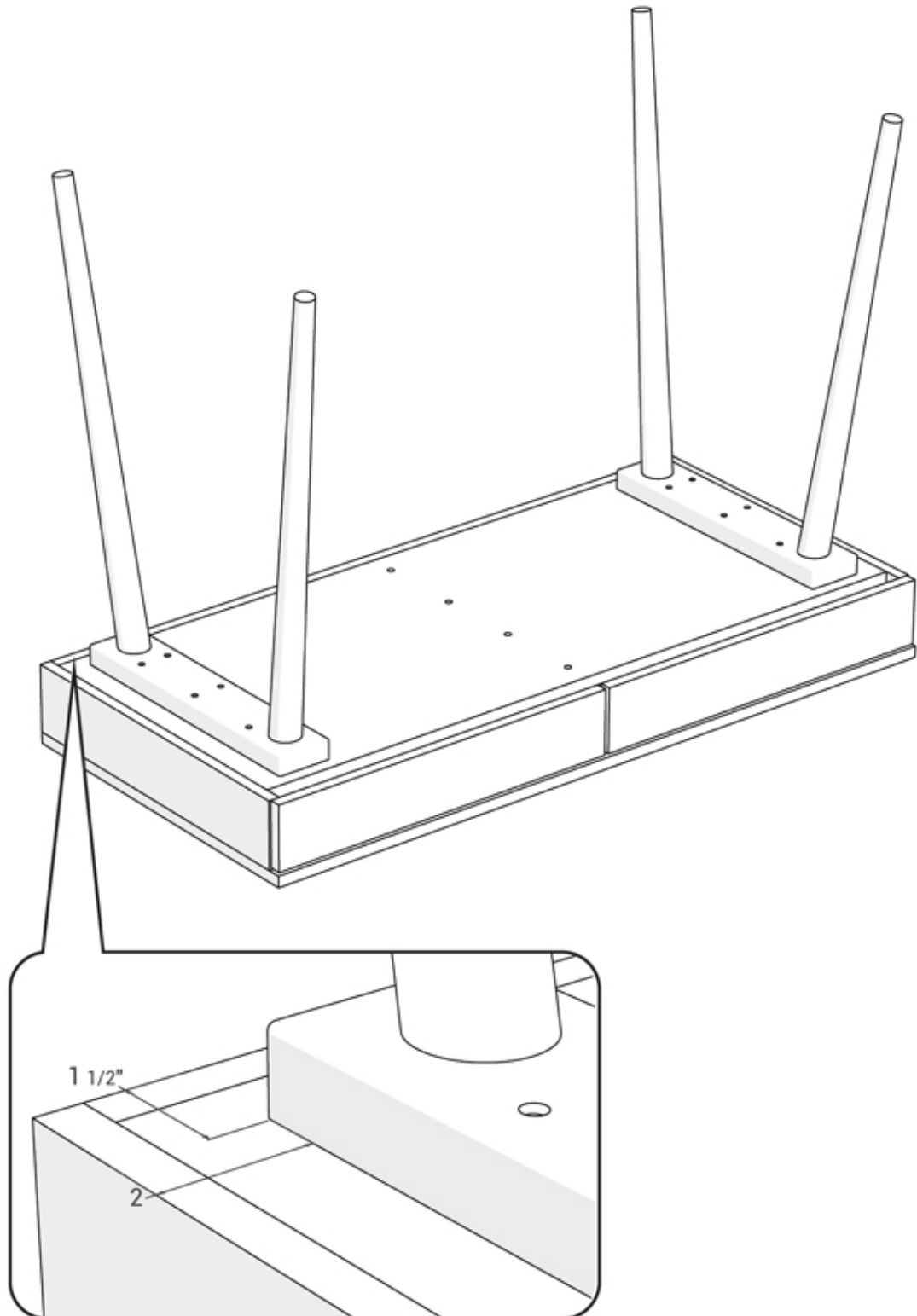


C x 12

STEP 1

Instructions

Place the top (A) upside down on a soft surface such a carpet to avoid spoiling the finish. Place the legs (B) approximately 2 inches from the side and 1.5 inches from the back, making sure that the legs are facing outwards.



STEP 2

Instructions

Use a screwdriver to attach the legs to the top with all 12 screws (C). If you find it difficult to tighten the screws, use a hammer to GENTLY tap each screw in place before tightening. DO NOT hammer the screws into place.

