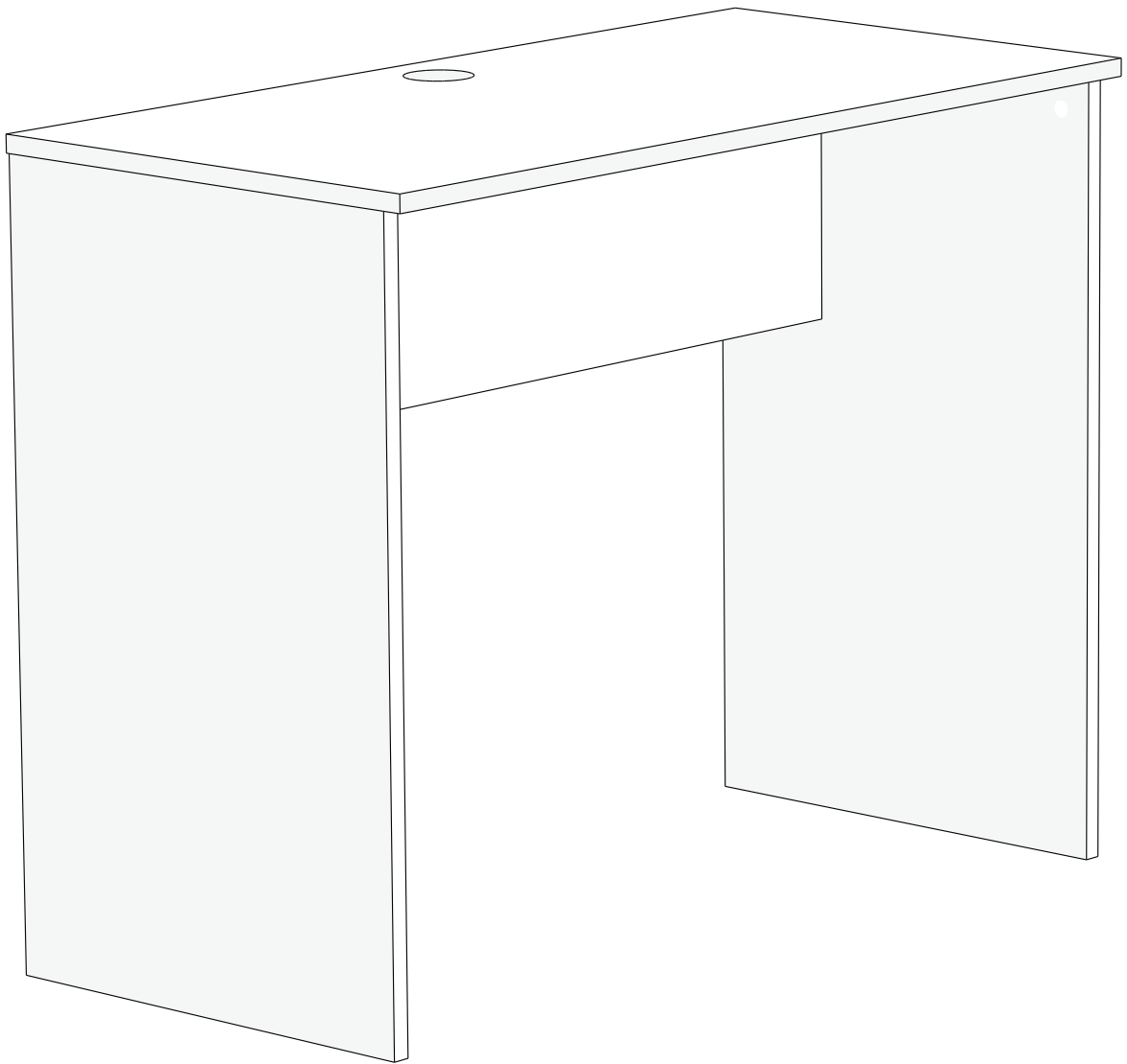


# DIARY

Compact Desk



# DIARY

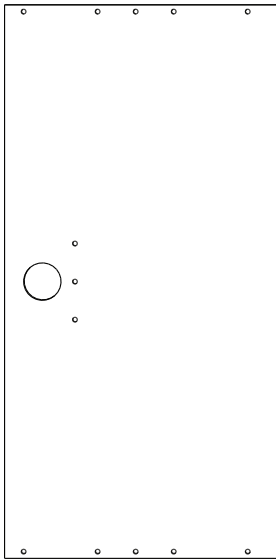
## Materials

Laminated MDF/MFC

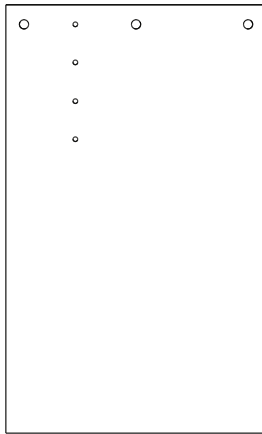
## Care instructions

Wipe down with a wet cloth and a mild soapy solution then wipe dry with a clean cloth.

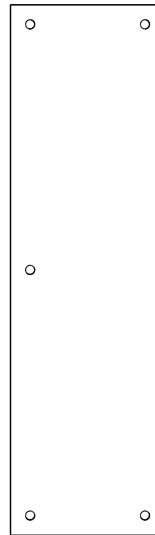
## Components



A x 1

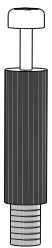


B x 2

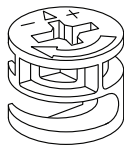


C x 1

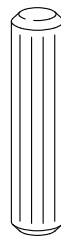
## Hardware



D x 11



E x 11



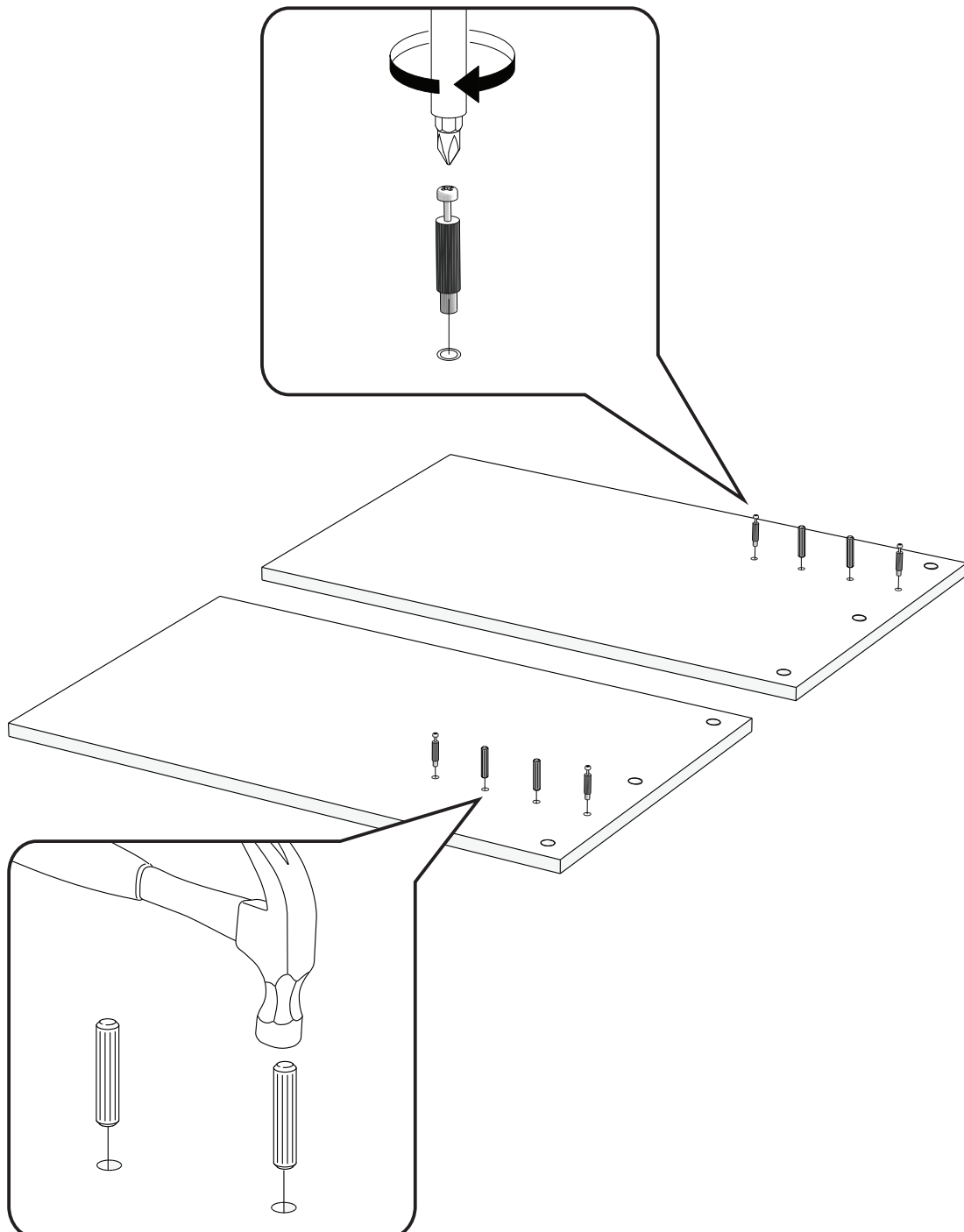
F x 10

# STEP 1

## Instructions

Place sides (B) on a soft surface such as a carpet. Screw the cam bolts (D) into the white plastic nuts using a screwdriver (not provided).

Place the wooden dowels (F) into their corresponding holes and gently tap in using a hammer (not provided).

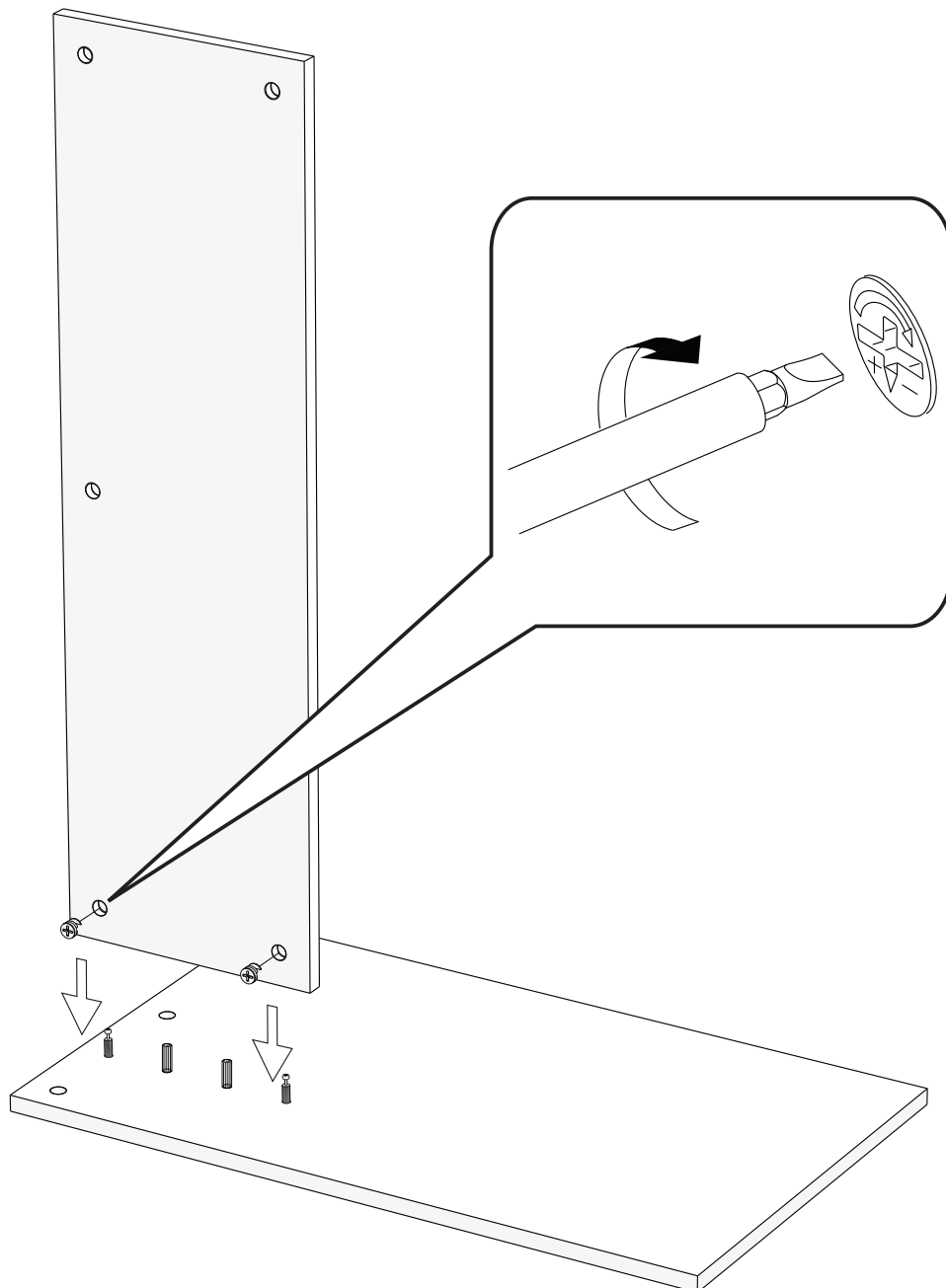


# STEP 2

## Instructions

Slide one end of the support panel (C) onto one side, lining up the bolts and dowels attached earlier to the holes on the support panel.

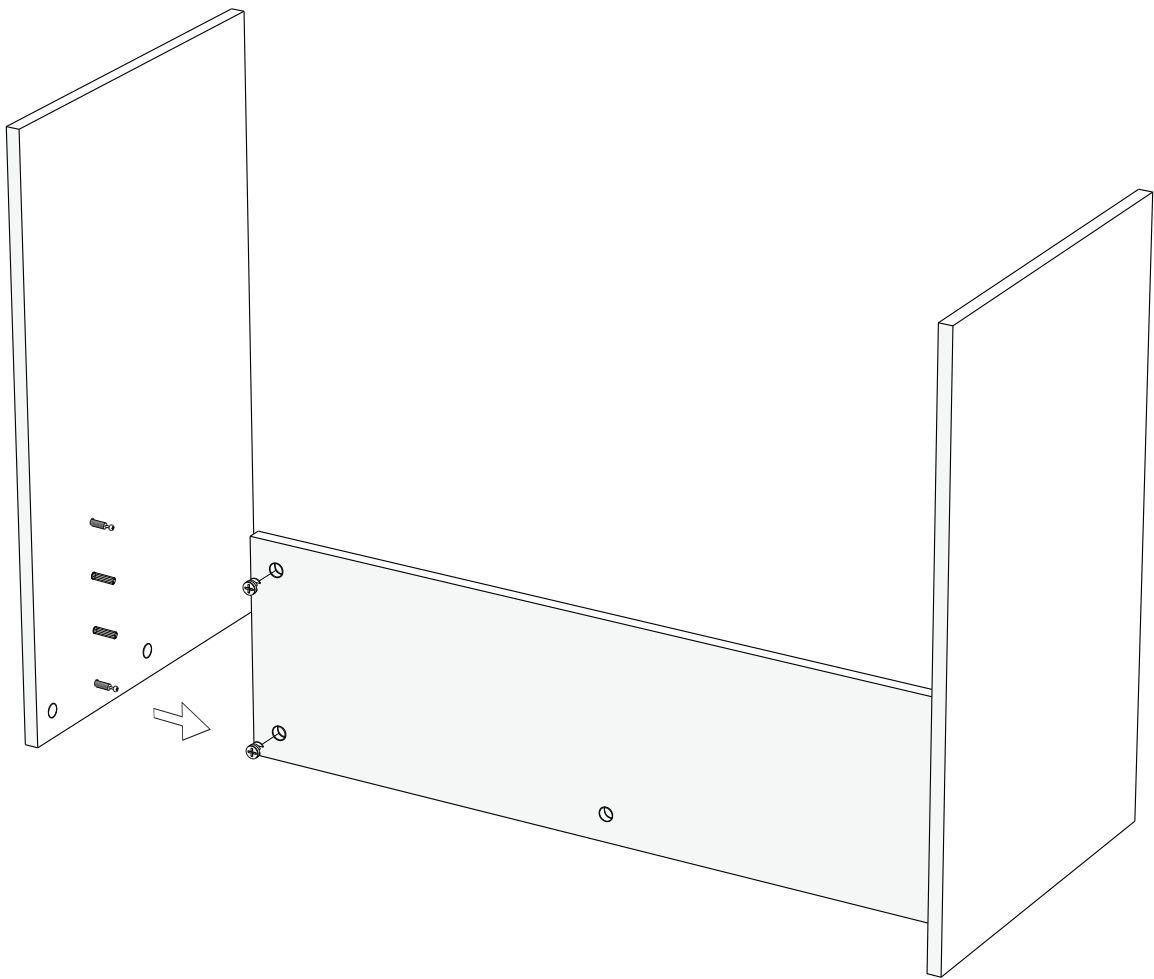
Place two of the cam locks (E) into the corresponding holes in the support panel, making sure that the arrow points down towards the side. Tighten the cam locks in a clockwise direction with the help of a screwdriver.



# STEP 3

## Instructions

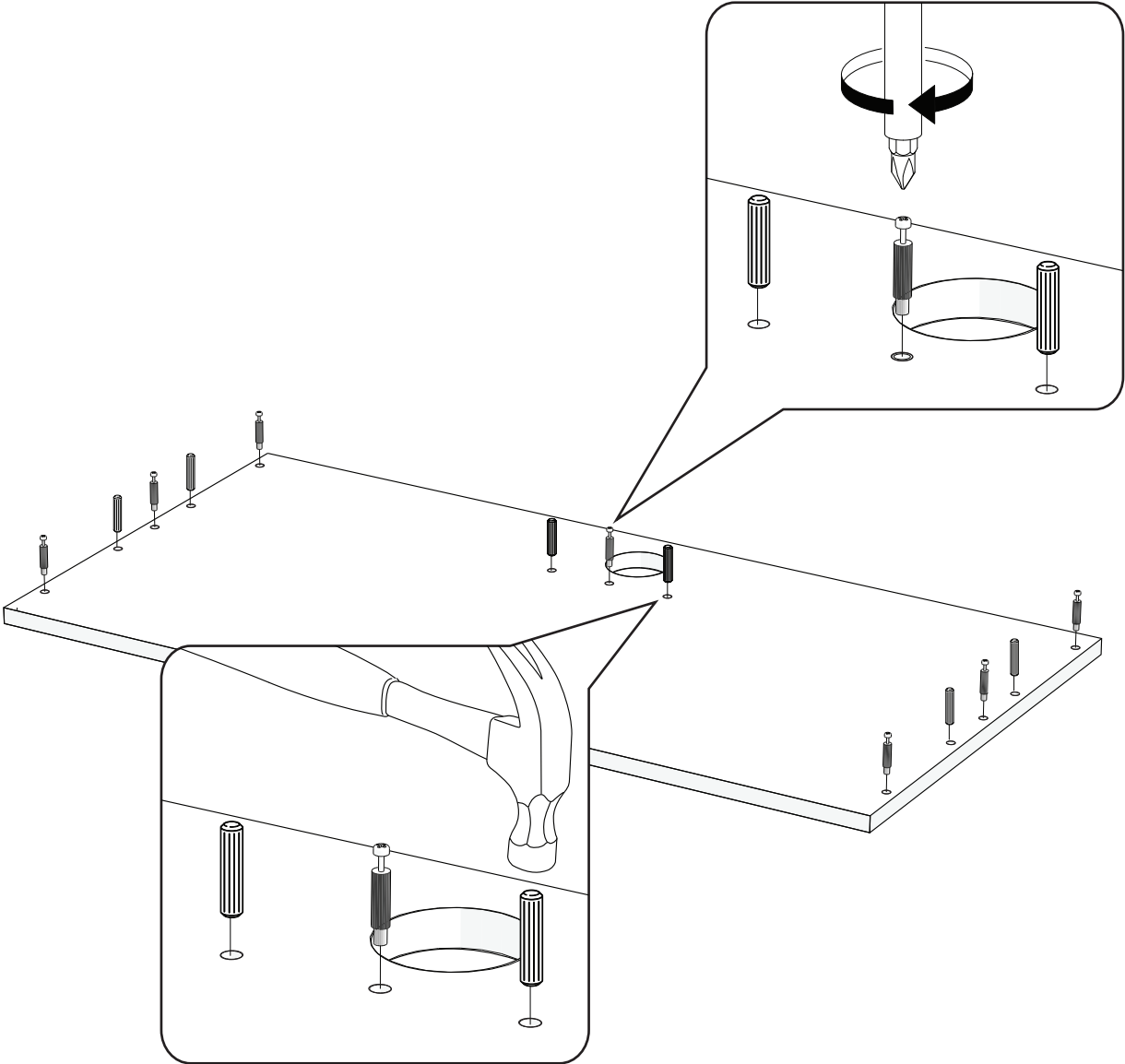
Flip the attached side and support panel upside down and attach the remaining side in a similar fashion.



# STEP 4

## Instructions

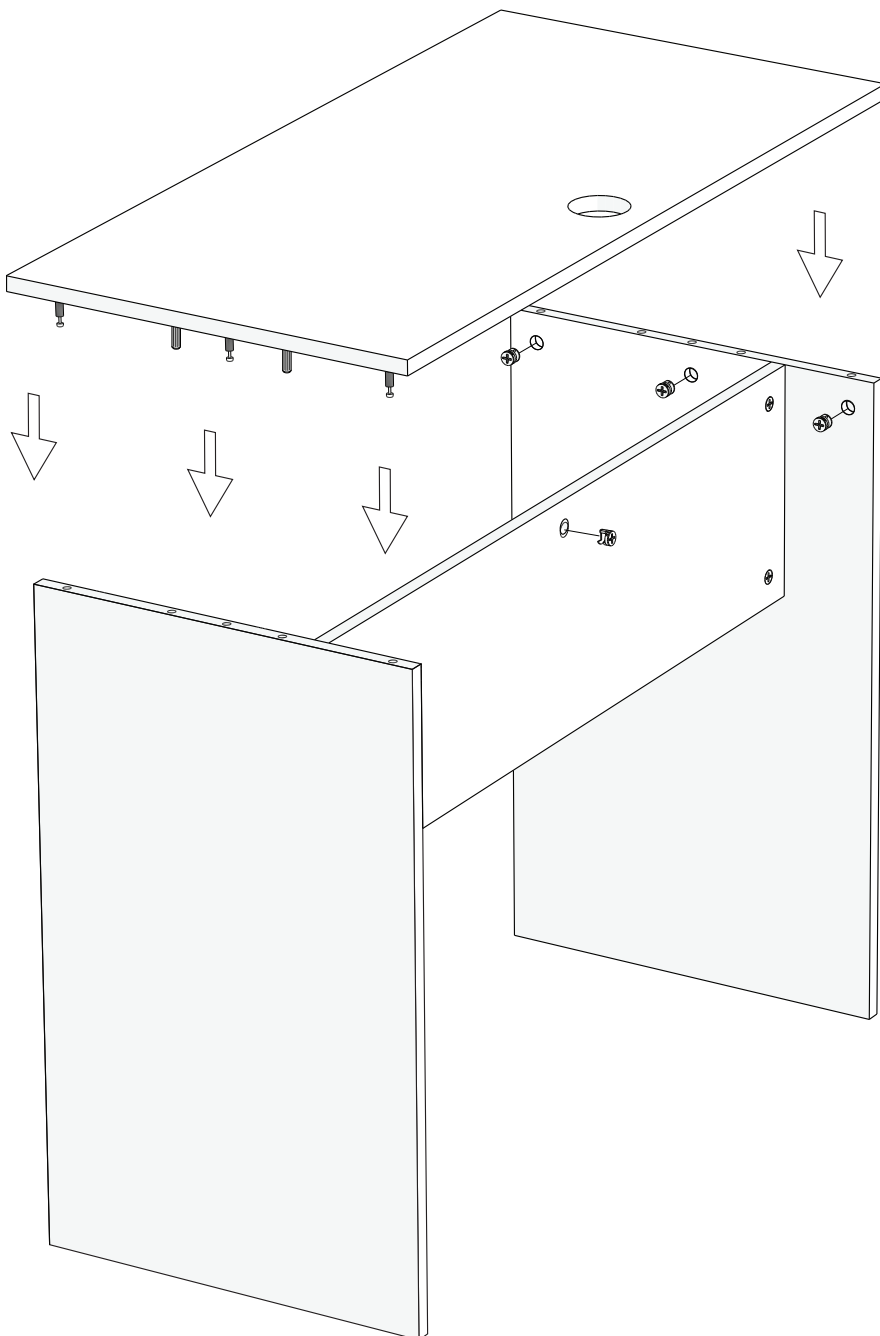
Attach all the cam bolts and dowels to the underside of the top.



# STEP 5

## Instructions

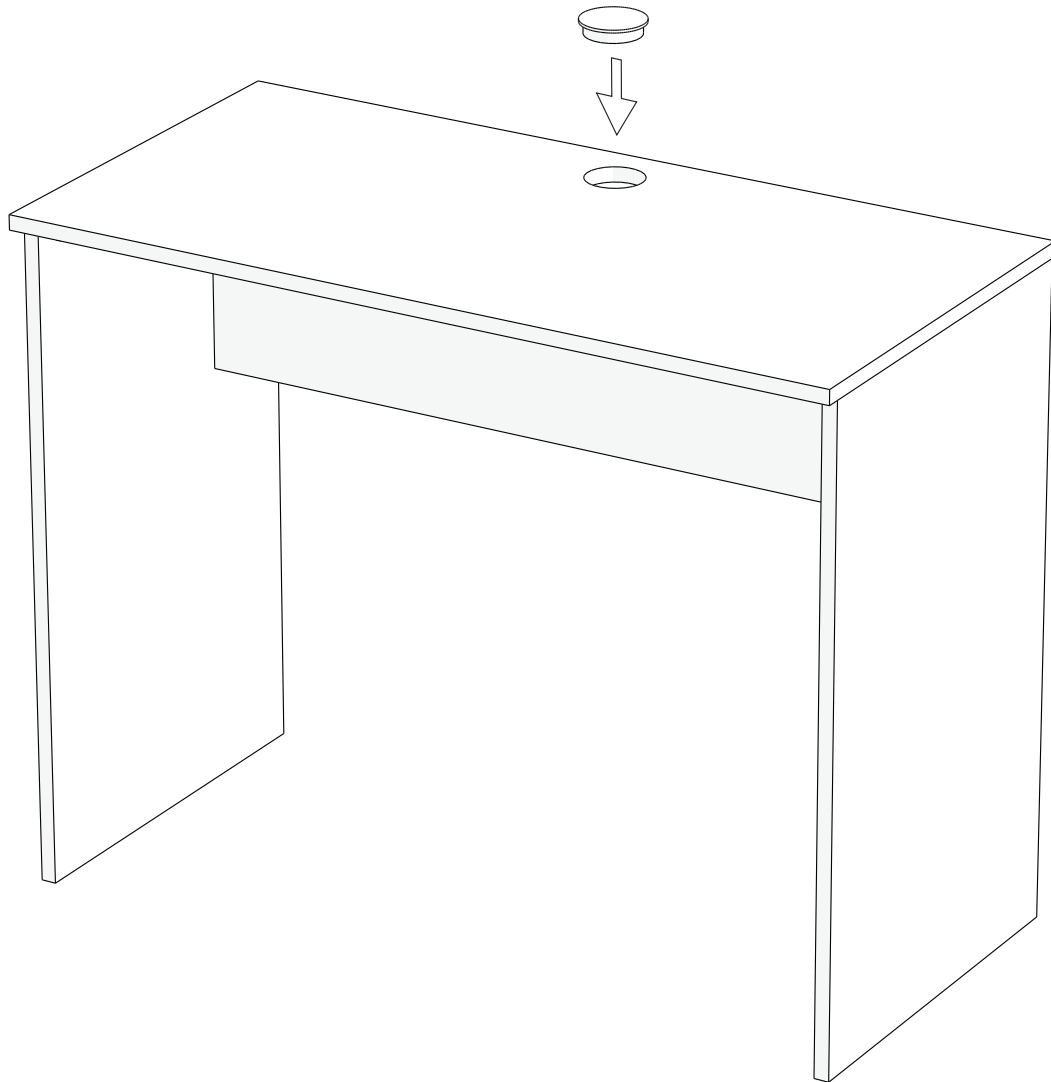
Place the top onto the frame and guide in all the bolts and dowels into their corresponding holes in the frame. Gently tap the top so it sits flush with the frame. Attach the cam locks to the frame to lock the top in place.



# STEP 6

## Instructions

Place the wire cap in the given hole and gently tap it into place.



7 In case you require help with these instructions, please contact us via phone/Whatsapp on +92-315-4510439 or email us at [info@hex.furniture](mailto:info@hex.furniture).