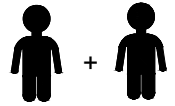


Assembly Instructions



15 Min

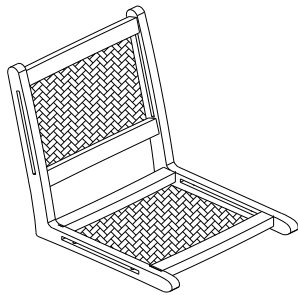


Nut x4



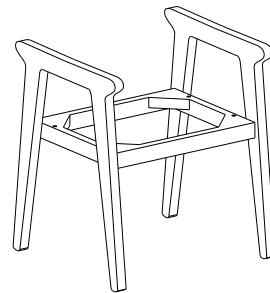
Allen key x1

Parts :



(A)

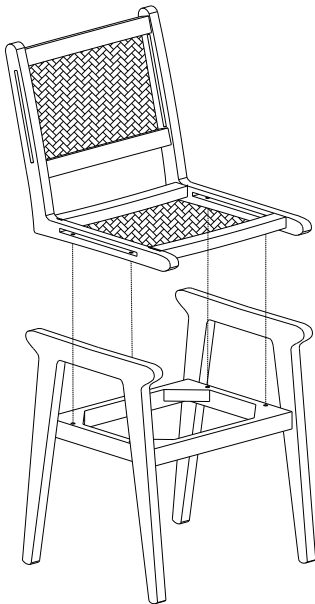
Top



(B)

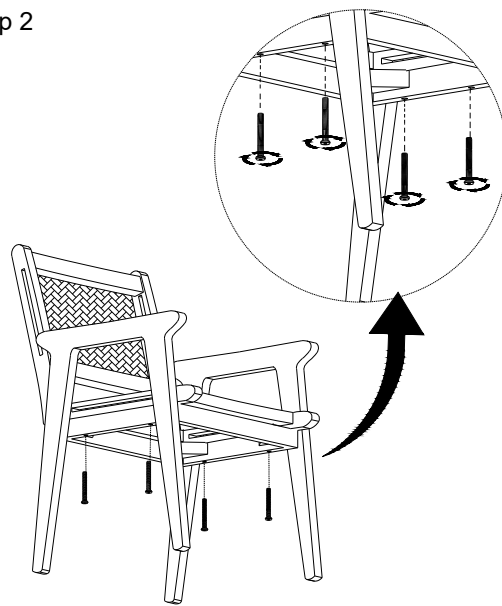
Base

Step 1



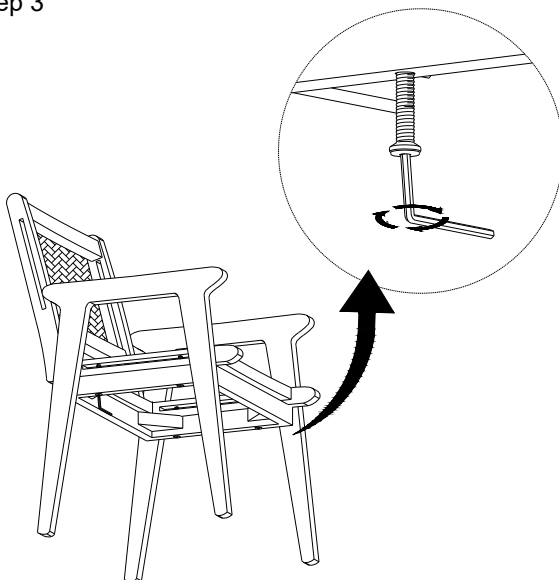
Note: Put the top on base

Step 2



Under view

Step 3



Under view

Note: Rotate clockwise

Final product

