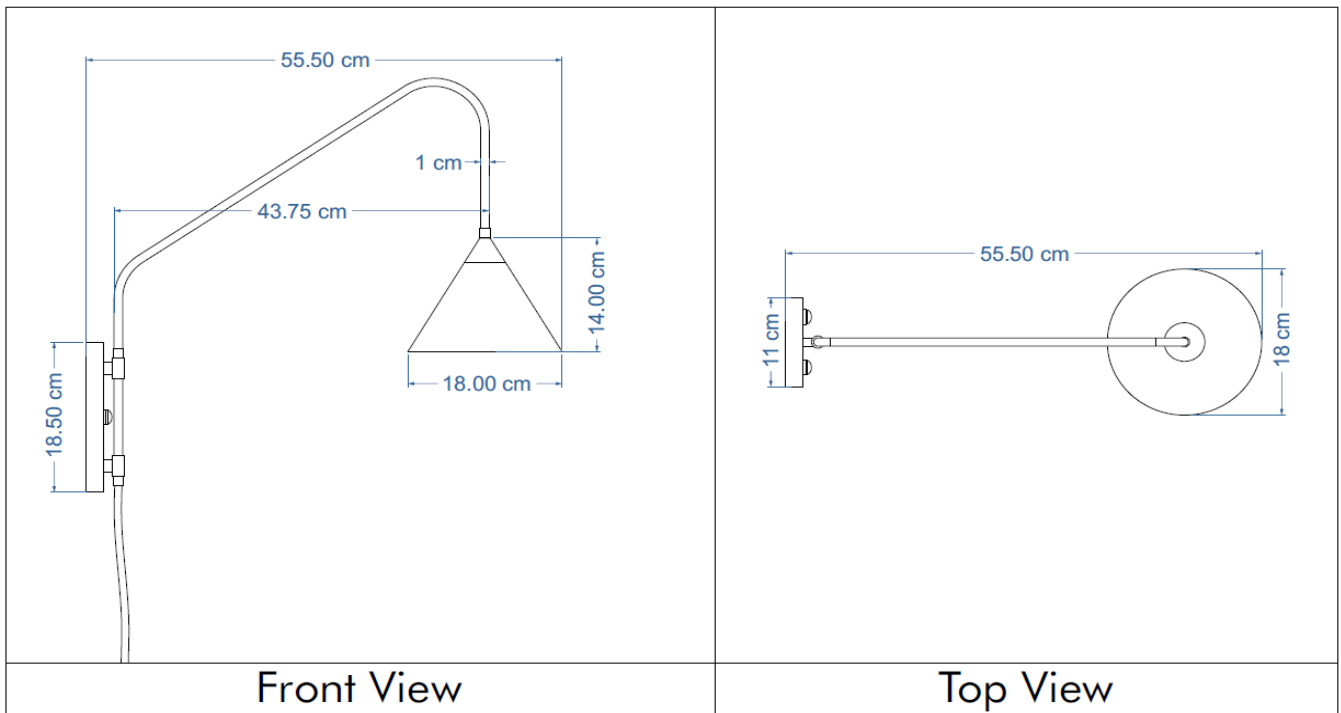
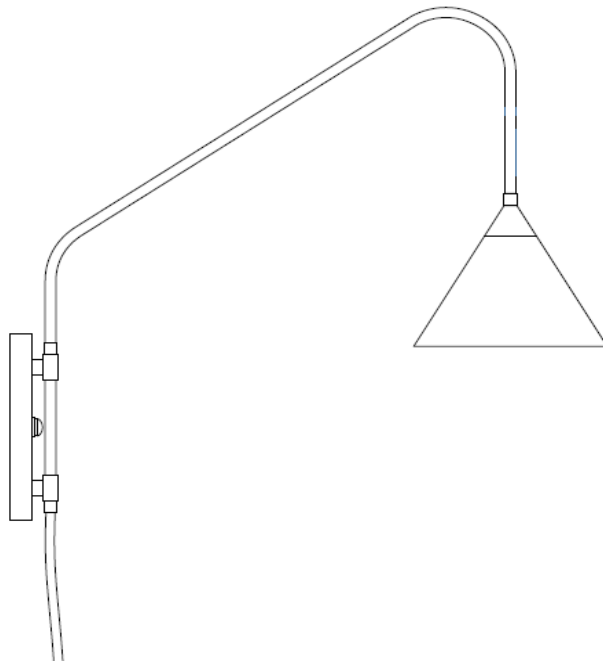


nkuku

HOME AND LIFESTYLE

ASSEMBLY INSTRUCTIONS

THOTTAM WALL LAMP



CARE AND CLEANING

Finish - we recommend cleaning with a soft dry cloth. Do not use abrasive materials as these will damage the finish.

BULB TYPE

E27 - Max 25W. Do not exceed the wattage stated. When changing a bulb, always switch off at the mains and allow the bulb to cool before handling.

FITTING THE PLUG

This luminaire is suitable for both UK and EU plug sockets. On opening, the EU plug is sitting inside the UK plug adapter.

To fit in the UK, make sure the EU plug is securely in place inside the adapter and the screw(s) on the underside of the plug are fixed tightly. This is now ready for use.

To fit using the EU plug remove the screw(s) from the underside of the plug. Open the UK plug and take out the EU plug. This is now ready to be used. Please dispose of the UK plug adapter responsibly.

To reduce the risk of strangulation the flexible wiring connected to this luminaire shall be effectively fixed to the wall if the wiring is within arm's reach

ENVIRONMENT FRIENDLY

Dispose of used bulbs carefully.

