

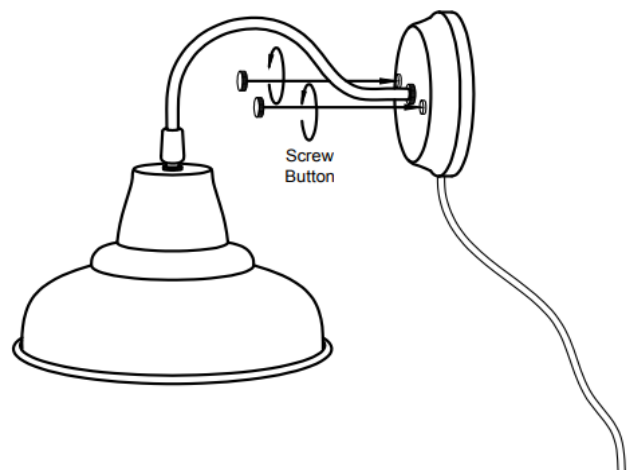
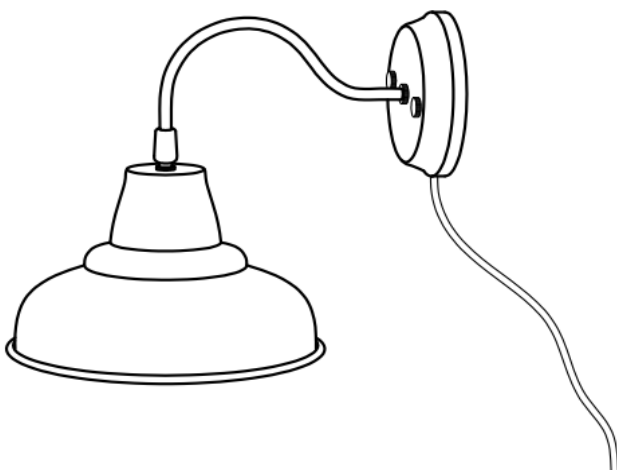
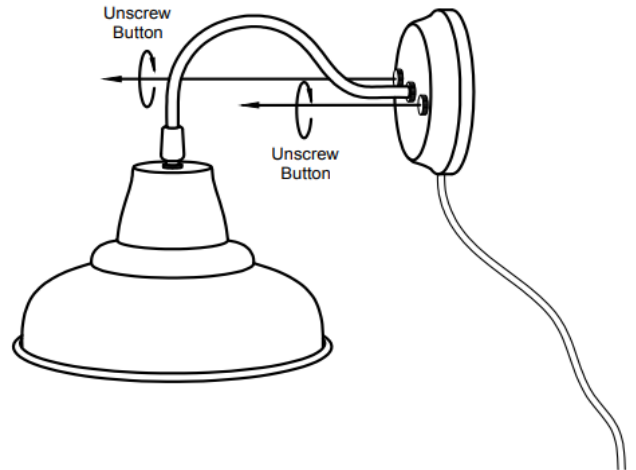
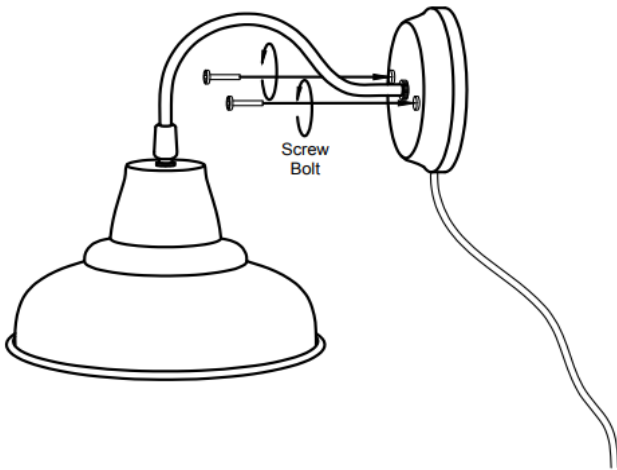
# nkuku

HOME AND LIFESTYLE

---

## ASSEMBLY INSTRUCTIONS

### NAR WALL LAMP



## CARE AND CLEANING

Finish - we recommend cleaning with a soft dry cloth. Do not use abrasive materials as these will damage the finish.

## FIXING INSTRUCTIONS

Please also take care to avoid damaging any concealed wiring and pipes. First fix the provided rawl plugs to the wall and make sure they are secure. Then put the screws through the outside holes of ceiling rose, line up with the rawl plugs and screw in place.

## BULB TYPE

E27 - Max 40W. Do not exceed the wattage stated. When changing a bulb, always switch off at the mains and allow the bulb to cool before handling.

## FITTING THE PLUG

This luminaire is suitable for both UK and EU plug sockets. On opening, the EU plug is sitting inside the UK plug adapter.

To fit in the UK, make sure the EU plug is securely in place inside the adapter and the screw(s) on the underside of the plug are fixed tightly. This is now ready for use.

To fit using the EU plug remove the screw(s) from the underside of the plug. Open the UK plug and take out the EU plug. This is now ready to be used. Please dispose of the UK plug adapter responsibly.

## ENVIRONMENT FRIENDLY

Dispose of used bulbs carefully.